

advanced

High Efficiency Thyristor

$$V_{\text{DRM}} = 1200 \text{ V}$$

$$I_{\text{TAV}} = 20 \text{ A}$$

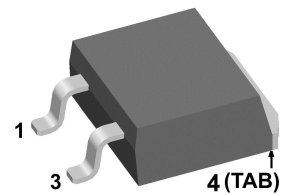
$$V_{\text{T}} = 1.4 \text{ V}$$

Triode
 Single Reverse Conducting Thyristor

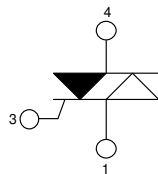
Part number

CLA20EF1200PZ

Marking on Product: CLA20EF1200PZ



Backside: anode



Features / Advantages:

- Thyristor for fast turn-on switching
- Integrated free wheeling diode
- Planar passivated chip
- Long-term stability

Applications:

- Ignition for HD lamps
- Capacity discharge

Package: TO-263 (D2Pak-HV)

- Industry standard outline
- RoHS compliant
- Epoxy meets UL 94V-0

Disclaimer Notice

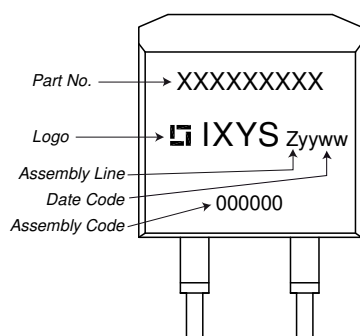
Information furnished is believed to be accurate and reliable. However, users should independently evaluate the suitability of and test each product selected for their own applications. Littelfuse products are not designed for, and may not be used in, all applications. Read complete Disclaimer Notice at www.littelfuse.com/disclaimer-electronics.

| Thyristor | | | Ratings | | | |
|----------------|--|---|-------------------------|------|------|------------------|
| Symbol | Definition | Conditions | min. | typ. | max. | Unit |
| V_{DSM} | max. non-repetitive forward blocking voltage | $T_{VJ} = 25^{\circ}C$ | | | 1300 | V |
| V_{DRM} | max. repetitive forward blocking voltage | $T_{VJ} = 25^{\circ}C$ | | | 1200 | V |
| I_D | drain current | $V_D = 1200 V$ | $T_{VJ} = 25^{\circ}C$ | | 10 | μA |
| | | $V_D = 1200 V$ | $T_{VJ} = 125^{\circ}C$ | | 1 | mA |
| V_T | forward voltage drop Note: reverse voltage drop $\sim 1.2 \times VT$ | $I_T = 20 A$ | $T_{VJ} = 25^{\circ}C$ | | 1.40 | V |
| | | $I_T = 40 A$ | | | 1.60 | V |
| | | $I_T = 20 A$ | $T_{VJ} = 125^{\circ}C$ | | 1.40 | V |
| | | $I_T = 40 A$ | | | 1.60 | V |
| I_{TAV} | average forward current | $T_C = 115^{\circ}C$ DC | $T_{VJ} = 150^{\circ}C$ | | 20 | A |
| V_{T0} | threshold voltage | } for power loss calculation only | $T_{VJ} = 150^{\circ}C$ | | 0.90 | V |
| r_T | slope resistance | | | | 25 | m Ω |
| R_{thJC} | thermal resistance junction to case | | | | 0.65 | K/W |
| R_{thCH} | thermal resistance case to heatsink | | | 0.25 | | K/W |
| P_{tot} | total power dissipation | | $T_C = 25^{\circ}C$ | | 190 | W |
| I_{TSM} | max. forward surge current | $t = 10 \text{ ms}; (50 \text{ Hz}), \text{ sine}$ | $T_{VJ} = 45^{\circ}C$ | | 120 | A |
| | | $t = 8,3 \text{ ms}; (60 \text{ Hz}), \text{ sine}$ | $V_R = 0 V$ | | 130 | A |
| | | $t = 10 \text{ ms}; (50 \text{ Hz}), \text{ sine}$ | $T_{VJ} = 150^{\circ}C$ | | 100 | A |
| | | $t = 8,3 \text{ ms}; (60 \text{ Hz}), \text{ sine}$ | $V_R = 0 V$ | | 110 | A |
| I^2t | value for fusing | $t = 10 \text{ ms}; (50 \text{ Hz}), \text{ sine}$ | $T_{VJ} = 45^{\circ}C$ | | 72 | A ² s |
| | | $t = 8,3 \text{ ms}; (60 \text{ Hz}), \text{ sine}$ | $V_R = 0 V$ | | 70 | A ² s |
| | | $t = 10 \text{ ms}; (50 \text{ Hz}), \text{ sine}$ | $T_{VJ} = 150^{\circ}C$ | | 50 | A ² s |
| | | $t = 8,3 \text{ ms}; (60 \text{ Hz}), \text{ sine}$ | $V_R = 0 V$ | | 50 | A ² s |
| C_J | junction capacitance | $V_R = 400 V \quad f = 1 \text{ MHz}$ | $T_{VJ} = 25^{\circ}C$ | | 6 | pF |
| P_{GM} | max. gate power dissipation | $t_p = 30 \mu s$ | $T_C = 150^{\circ}C$ | | 10 | W |
| | | $t_p = 300 \mu s$ | | | 5 | W |
| P_{GAV} | average gate power dissipation | | | | 0.5 | W |
| $(di/dt)_{cr}$ | critical rate of rise of current | $T_{VJ} = 150^{\circ}C; f = 50 \text{ Hz}$ repetitive, $I_T = 60 A$ | | | 500 | A/ μs |
| | | $t_p = 1 \mu s; di_G/dt = 0.5 A/\mu s; I_{TSA} = 600 A$ $I_G = 0.07 A; V = \frac{2}{3} V_{DRM}$ non-repet., $I_T = 20 A$ | | | 1500 | A/ μs |
| $(dv/dt)_{cr}$ | critical rate of rise of voltage | $V = \frac{2}{3} V_{DRM}$ $R_{GK} = \infty$; method 1 (linear voltage rise) | $T_{VJ} = 150^{\circ}C$ | | 500 | V/ μs |
| V_{GT} | gate trigger voltage | $V_D = 6 V$ | $T_{VJ} = 25^{\circ}C$ | | 1.3 | V |
| | | | $T_{VJ} = -40^{\circ}C$ | | 1.6 | V |
| I_{GT} | gate trigger current | $V_D = 6 V$ | $T_{VJ} = 25^{\circ}C$ | | 20 | mA |
| | | | $T_{VJ} = -40^{\circ}C$ | | 35 | mA |
| V_{GD} | gate non-trigger voltage | $V_D = \frac{2}{3} V_{DRM}$ | $T_{VJ} = 150^{\circ}C$ | | 0.2 | V |
| I_{GD} | gate non-trigger current | | | | 1 | mA |
| I_L | latching current | $t_p = 10 \mu s$ | $T_{VJ} = 25^{\circ}C$ | | 30 | mA |
| | | $I_G = 0.07 A; di_G/dt = 0.5 A/\mu s$ | | | | |
| I_H | holding current | $V_D = 6 V \quad R_{GK} = \infty$ | $T_{VJ} = 25^{\circ}C$ | | 25 | mA |
| t_{gd} | gate controlled delay time | $V_D = \frac{1}{2} V_{DRM}$ $I_G = 0.07 A; di_G/dt = 0.5 A/\mu s$ | $T_{VJ} = 25^{\circ}C$ | | 2 | μs |
| t_q | turn-off time | $V_R = 0 V; I_T = 20 A; V = \frac{2}{3} V_{DRM}$ $di/dt = 10 A/\mu s \quad dv/dt = 20 V/\mu s \quad t_p = 200 \mu s$ | $T_{VJ} = 125^{\circ}C$ | | 150 | μs |



| Package TO-263 (D2Pak-HV) | | Ratings | | | | |
|---------------------------|--|----------------------|------|------|------|------|
| Symbol | Definition | Conditions | min. | typ. | max. | Unit |
| I_{RMS} | RMS current | per terminal | | | 35 | A |
| T_{VJ} | virtual junction temperature | | -40 | | 150 | °C |
| T_{op} | operation temperature | | -40 | | 125 | °C |
| T_{stg} | storage temperature | | -40 | | 150 | °C |
| Weight | | | | 1.5 | | g |
| F_C | mounting force with clip | | 20 | | 60 | N |
| $d_{Spp/App}$ | creepage distance on surface / striking distance through air | terminal to terminal | 4.2 | | | mm |
| $d_{Spb/Apb}$ | | terminal to backside | 4.7 | | | mm |

Product Marking



Part description

- C = Thyristor (SCR)
- L = High Efficiency Thyristor
- A = (up to 1200V)
- 20 = Current Rating [A]
- EF = Single Reverse Conducting Thyristor
- 1200 = Reverse Voltage [V]
- PZ = TO-263AB (D2Pak) (2HV)

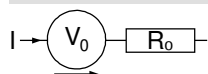
| Ordering | Ordering Number | Marking on Product | Delivery Mode | Quantity | Code No. |
|-------------|-------------------|--------------------|---------------|----------|----------|
| Standard | CLA20EF1200PZ-TRL | CLA20EF1200PZ | Tape & Reel | 800 | 522555 |
| Alternative | CLA20EF1200PZ-TUB | CLA20EF1200PZ | Tube | 50 | 523762 |

| Similar Part | Package | Voltage class |
|---------------|--------------|---------------|
| CLA20EF1200PB | TO-220AB (3) | 1200 |

Equivalent Circuits for Simulation

* on die level

$T_{VJ} = 150\text{ °C}$

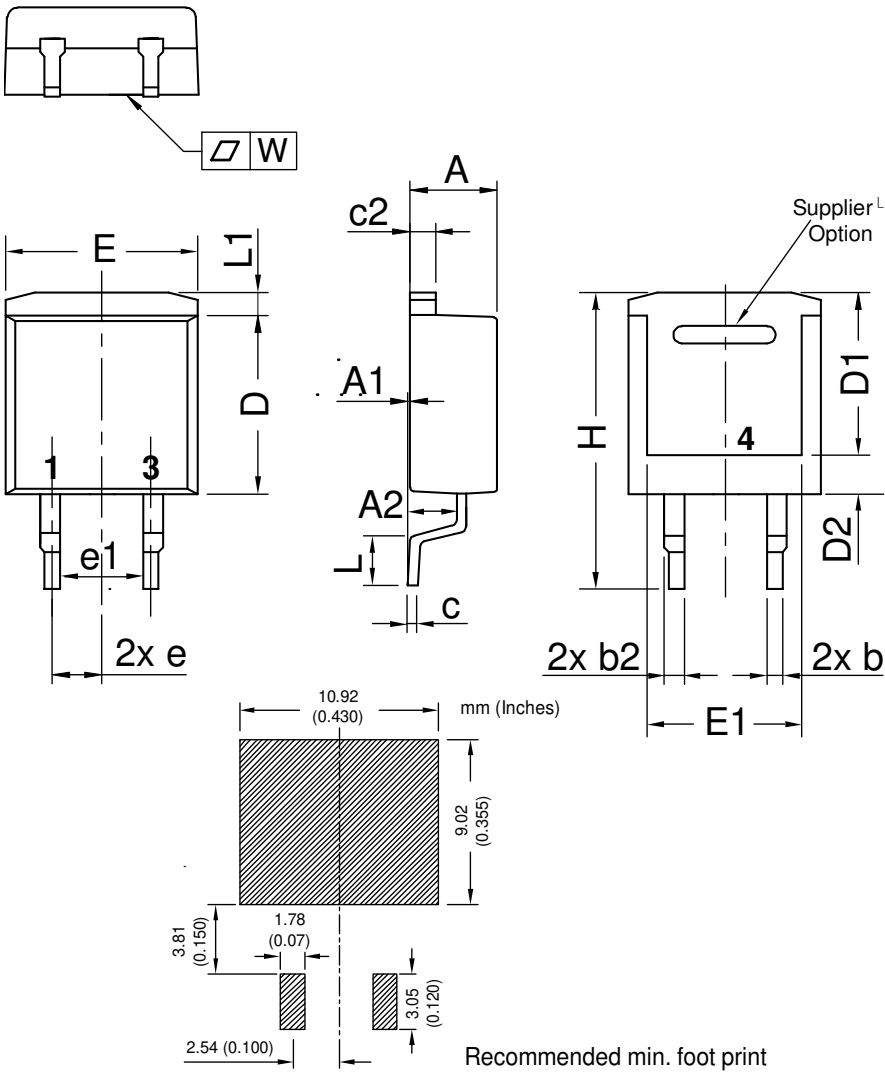


Thyristor

| | | | |
|--------------|--------------------|-----|----|
| $V_{0\ max}$ | threshold voltage | 0.9 | V |
| $R_{0\ max}$ | slope resistance * | 22 | mΩ |

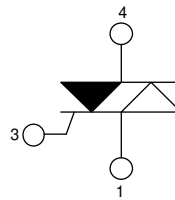


Outlines TO-263 (D2Pak-HV)



| Dim. | Millimeter | | Inches | |
|------|------------|-------|-------------|-------|
| | min | max | min | max |
| A | 4.06 | 4.83 | 0.160 | 0.190 |
| A1 | typ. 0.10 | | typ. 0.004 | |
| A2 | 2.41 | | 0.095 | |
| b | 0.51 | 0.99 | 0.020 | 0.039 |
| b2 | 1.14 | 1.40 | 0.045 | 0.055 |
| c | 0.40 | 0.74 | 0.016 | 0.029 |
| c2 | 1.14 | 1.40 | 0.045 | 0.055 |
| D | 8.38 | 9.40 | 0.330 | 0.370 |
| D1 | 8.00 | 8.89 | 0.315 | 0.350 |
| D2 | 2.3 | | 0.091 | |
| E | 9.65 | 10.41 | 0.380 | 0.410 |
| E1 | 6.22 | 8.50 | 0.245 | 0.335 |
| e | 2,54 BSC | | 0,100 BSC | |
| e1 | 4.28 | | 0.169 | |
| H | 14.61 | 15.88 | 0.575 | 0.625 |
| L | 1.78 | 2.79 | 0.070 | 0.110 |
| L1 | 1.02 | 1.68 | 0.040 | 0.066 |
| W | typ. 0.02 | 0.040 | typ. 0.0008 | 0.002 |

All dimensions conform with and/or within JEDEC standard.





Thyristor

X-ON Electronics

Largest Supplier of Electrical and Electronic Components

Click to view similar products for [Discrete Semiconductor Modules](#) category:

Click to view products by [IXYS](#) manufacturer:

Other Similar products are found below :

[M252511FV](#) [DD260N12K-A](#) [DD380N16A](#) [DD89N1600K-A](#) [APT2X21DC60J](#) [APT58M80J](#) [B522F-2-YEC](#) [MSTC90-16](#) [25.163.0653.1](#)
[25.163.2453.0](#) [25.163.4253.0](#) [25.190.2053.0](#) [25.194.3453.0](#) [25.320.4853.1](#) [25.320.5253.1](#) [25.326.3253.1](#) [25.326.3553.1](#) [25.330.1653.1](#)
[25.330.4753.1](#) [25.330.5253.1](#) [25.334.3253.1](#) [25.334.3353.1](#) [25.350.2053.0](#) [25.352.4753.1](#) [25.522.3253.0](#) [T483C](#) [T484C](#) [T485F](#) [T485H](#)
[T512F-YEB](#) [T513F](#) [T514F](#) [T554](#) [T612FSE](#) [25.161.3453.0](#) [25.179.2253.0](#) [25.194.3253.0](#) [25.325.1253.1](#) [25.326.4253.1](#) [25.330.0953.1](#)
[25.332.4353.1](#) [25.350.1653.0](#) [25.350.2453.0](#) [25.352.1453.0](#) [25.352.1653.0](#) [25.352.2453.0](#) [25.352.5453.1](#) [25.522.3353.0](#) [25.602.4053.0](#)
[25.640.5053.0](#)