

# LF2136B

## 3-Phase Half Bridge Gate Driver

### Features

- Three floating high-side drivers in bootstrap operation to 600V
- 200mA source / 350mA sink output current capability
- Outputs tolerant to negative transients,  $dV/dt$  immune
- Wide VCC operating range: 10V to 20V
- Logic input 3.3V capability
- Internal deadtime of 290ns to protect MOSFETs
- Matched propagation delay for all channels
- Outputs out of phase with inputs
- Schmitt triggered logic inputs
- Cross conduction prevention logic
- Under Voltage Lockout (UVLO) for all channels
- Overcurrent protection shuts down drivers

### Applications

- 3-Phase Motor Inverter Driver
- White Goods - Air Conditioner, Washing Machine, Refrigerator
- Industrial Motor Inverter - Power Tools, Robotics
- General Purpose 3-Phase Inverter



SOIC-28

### Description

LF2136B is a three-phase gate driver IC designed for high voltage, high speed applications, driving N-channel MOSFETs and IGBTs in a half-bridge configuration. The high voltage process enables the LF2136B high sides to switch up to 600V in a bootstrap operation.

LF2136B logic inputs are compatible with standard TTL and CMOS levels (down to 3.3V) to interface easily with controlling devices and are enabled low to better function in high noise environments. The driver outputs feature high pulse current buffers designed for minimum driver cross conduction.

LF2136B offers numerous protection functions. A shoot-through protection logic prevents both outputs being high with both inputs low (fault state), an under-voltage lockout (UVLO) for  $V_{CC}$  shuts down all drivers through an internal fault control, while a UVLO for  $V_{BS}$  shuts down the respective high side output. Additionally an overcurrent protection will terminate all six outputs. Both the  $V_{CC}$  UVLO and the overcurrent protection activate an automatic fault clear with a timing that is adjustable with an external capacitor.

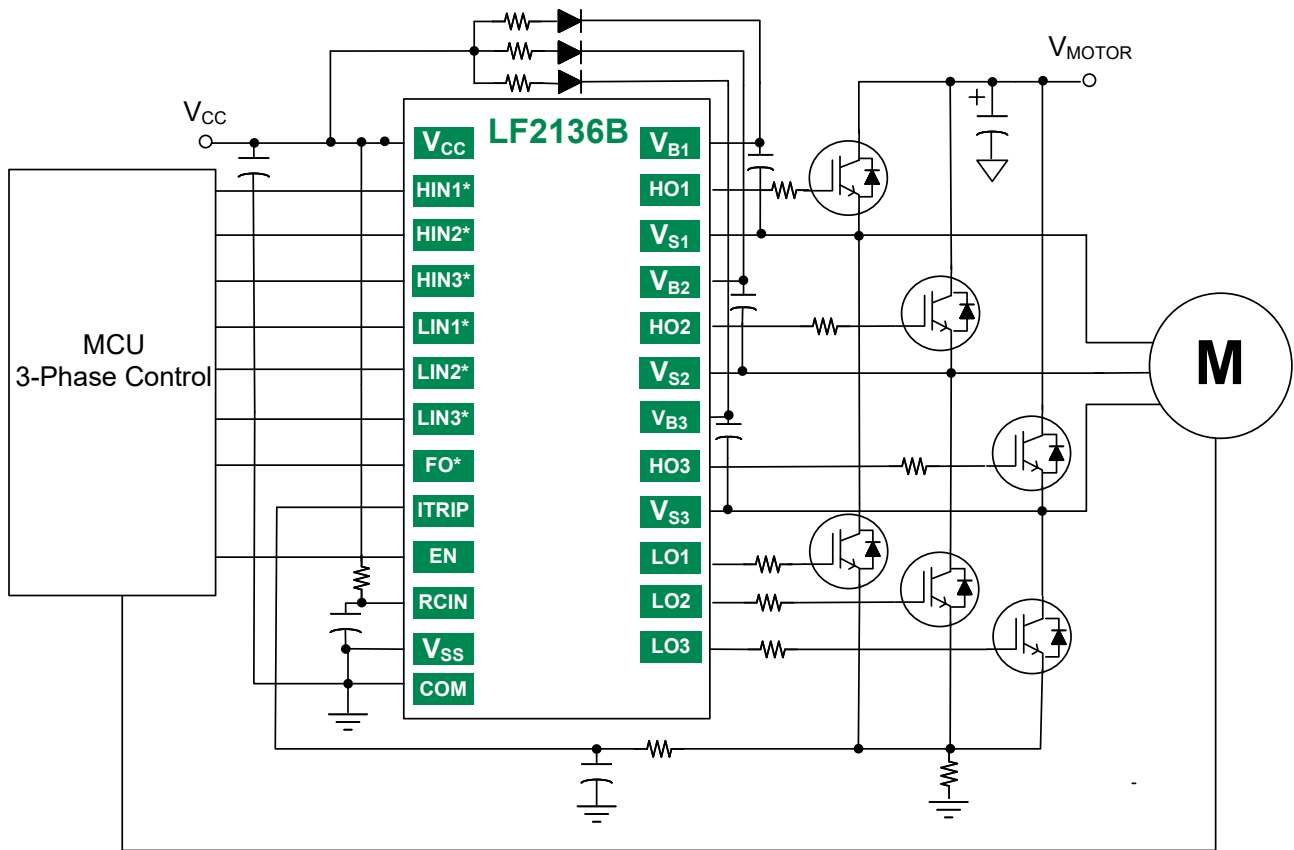
LF2136B is offered in an SOIC-28 package and operates over an extended temperature range of  $-40^{\circ}\text{C}$  to  $+125^{\circ}\text{C}$ .

### Ordering Information

Part#	Package	Pack / Qty	Year	Year	Week	Week
			YY	WW	YY	WW
LF2136BTR	SOIC-28	T&R / 1500	MARK YYWW LF2136B LOT ID			

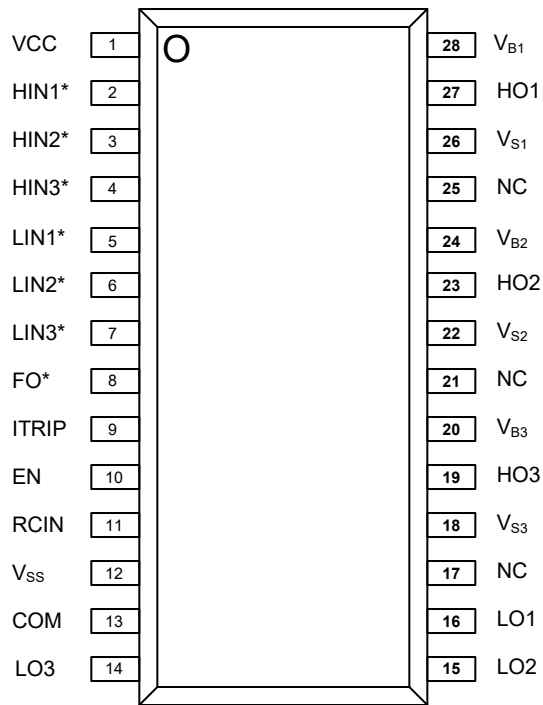


### Typical Application



## 1 Specifications

### 1.1 Pin Diagrams



**Top View: SOIC-28**

### 1.2 Pin Descriptions

Pin#	Pin Name	Pin Type	Pin Description
1	$V_{CC}$	Power	Low-side and logic fixed supply
2, 3, 4	HIN1*, HIN2*, HIN3*	Input	Logic input for high-side gate driver output, out of phase with HO.
5, 6, 7	LIN1*, LIN2*, LIN3*	Input	Logic input for low-side gate driver output, out of phase with LO.
8	FO*	Output	Fault active low with open drain output (fault with over-current and $V_{CC}$ UVLO)
9	$I_{TRIP}$	Input	Analog input for over-current shutdown
10	EN	Input	Logic input for functionality, I/O logic functions when EN is high.
11	RCIN	Input	An external RC network input used to define FAULT CLEAR delay
12	$V_{SS}$	Power	Logic ground
13	COM	Power	Low-side driver return
14, 15, 16	LO3, LO2, LO1	Output	Low-side gate driver output
17, 21, 25	NC	No Connect	Not Connected internally
18, 22, 26	$V_{S3}, V_{S2}, V_{S1}$	Power	High-side floating supply return
19, 23, 27	HO3, HO2, HO1	Output	High-side gate driver output
20, 24, 28	$V_{B3}, V_{B2}, V_{B1}$	Power	High-side floating supply

### 1.3 Absolute Maximum Ratings

Parameter	Symbol	Min	Max	Unit
High-side floating supply voltage	$V_B$	-0.3	+624	V
High-side floating supply offset voltage	$V_S$	$V_B - 24$	$V_B + 0.3$	V
High-side floating output voltage	$V_{HO}$	$V_S - 0.3$	$V_B + 0.3$	V
Low-side output voltage	$V_{LO}$	-0.3	$V_{CC} + 0.3$	V
Offset supply voltage transient	$dV_S/dt$	--	50	V/ns
Low-side fixed supply voltage	$V_{CC}$	-0.3	+24	V
Input voltage (HIN*, LIN*, ITRIP, EN)	$V_{IN}$	$V_{SS} - 0.3$	$V_{SS} + 5.5$	V
Fault output voltage	$V_{FO*}$	$V_{SS} - 0.3$	$V_{CC} + 0.3$	V
Logic Ground	$V_{SS}$	-5	5	V
Package power dissipation	$P_D$	--	1.6	W
Junction Operating Temperature	$T_J$	--	+150	°C
Storage Temperature	$T_{STG}$	-55	+150	°C

Unless otherwise specified all voltages are referenced to COM. All electrical ratings are at  $T_A = 25^\circ\text{C}$

Stresses beyond those listed under "Absolute Maximum Ratings" may cause permanent damage to the device. These are stress ratings only, and functional operation of the device at these or any other conditions beyond those indicated in the operational sections of the specifications is not implied. Exposure to absolute maximum rating conditions for extended periods may affect device reliability.

### 1.4 Thermal Characteristics

Parameter	Symbol	Rating	Unit
Junction to ambient	$\theta_{JA}$	78	°C/W

Thermal resistance and power dissipation ratings are measured under board mounted and still air conditions.

### 1.5 Recommended Operating Conditions

Parameter	Symbol	Minimum	Maximum	Unit
High side floating supply voltage	$V_B$	$V_S + 10$	$V_S + 20$	V
High side floating supply offset voltage	$V_S$	<b>NOTE1</b>	600	V
High side floating output voltage	$V_{HO}$	$V_S$	$V_B$	V
Low side and logic fixed supply voltage	$V_{CC}$	10	20	V
Low side output voltage	$V_{LO}$	COM	$V_{CC}$	V
Input voltage (HIN*, LIN*, ITRIP, EN)	$V_{IN}$	$V_{SS}$	$V_{SS}+5$	V
Fault output Voltage	$V_{FO*}$	$V_{SS}$	$V_{CC}$	V
RCIN input voltage	$V_{RCIN}$	$V_{SS}$	$V_{CC}$	V
Logic Ground	$V_{SS}$	-5	5	V

Unless otherwise specified all voltages are referenced to COM

**NOTE1** High-side driver remains operational for  $V_S$  transients down to -5V

### 1.6 DC Electrical Characteristics

$V_{CC} = V_{BS} = 15V$ ,  $T_A = 25^\circ C$  and  $V_{SS} = V_{COM} = 0V$ , unless otherwise specified.

The  $V_{IN}$  and  $I_{IN}$  parameters are applicable to all six channels (HIN1,2,3\* and LIN1,2,3\*). The  $V_O$  and  $I_O$  parameters are applicable to the outputs (HO1,2,3 and LO1,2,3) and are referenced to COM.

Parameter	Symbol	Conditions	Min	Typ	Max	Unit
Logic "1" input voltage	$V_{IH}$	<b>NOTE2</b>	2.4	--	--	V
Logic "0" input voltage	$V_{IL}$		--	--	0.8	
Logic input voltage hysteresis	$V_{IN(HYS)}$		--	0.7	--	
High level output voltage, $V_{BIAS} - V_O$	$V_{OH}$	$I_O = 0mA$	--	--	0.1	
Low level output voltage, $V_O$	$V_{OL}$	$I_O = 0mA$	--	--	0.1	
Offset supply leakage current	$I_{LK}$	$V_B = VS = 600V$	--	--	10	$\mu A$
Quiescent $V_{BS}$ supply current	$I_{BSQ}$	$V_{IN} = 0V$ or $5V$ , $EN=0V$	10	85	130	
Quiescent $V_{CC}$ supply current	$I_{CCQ}$	$V_{IN} = 0V$ or $5V$ , $EN=0V$	--	1.1	1.6	mA
Driver logic "0" input bias current	$I_{IN+}$	$V_{IN} = 0V$	--	130	200	$\mu A$
Driver logic "1" input bias current	$I_{IN-}$	$V_{IN} = 5V$	--	3.0	20	
Enable logic "1" input bias current	$I_{EN+}$	$V_{EN} = 5V$	--	33	80	$\mu A$
Enable logic "0" input bias current	$I_{EN-}$	$V_{EN} = 0V$	--	--	2	$\mu A$
$V_{BS}$ and $V_{CC}$ UVLO off positive going threshold	$V_{BSUV+}$ , $V_{CCUV+}$	--	7.6	8.9	9.9	V
$V_{BS}$ and $V_{CC}$ UVLO enable negative going threshold	$V_{BSUV-}$ , $V_{CCUV-}$	--	7.1	8.3	9.4	
$V_{BS}$ and $V_{CC}$ UVLO hysteresis	$V_{BSUV(HYS)}$ , $V_{CCUV(HYS)}$	--	--	0.65	--	
Output high short circuit pulsed current	$I_{O+}$	$V_O = 0V$ , $t \leq 10 \mu s$	120	200	--	mA
Output low short circuit pulsed current	$I_{O-}$	$V_O = 15V$ , $t \leq 10 \mu s$	250	350	--	
Overcurrent detect positive threshold	$V_{ITRIP+}$	--	400	500	600	mV
Overcurrent detect negative threshold	$V_{ITRIP-}$	--	340	420	500	mV
ITRIP input bias current	$I_{ITRIP}$	$V_{ITRIP} = 1V$	--	11	16	$\mu A$
RCIN Positive going threshold voltage	$V_{RCIN+}$	--	7.0	8.4	9.8	V
RCIN Negative going threshold voltage	$V_{RCIN-}$	--	--	5	--	V
FO* logic low output voltage	$V_{FO*L}$	$V_{ITRIP} = 1V$ , $I_{FO*} = 1.5mA$	--	0.2	0.5	V
RCIN On resistance	$R_{ON(RCIN)}$	$I_{RCIN} = 1.5mA$	40	75	110	$\Omega$
FO* logic low output on-resistance	$R_{ON(FO*)}$	$I_{FO*} = 1.5mA$	80	130	180	$\Omega$

**NOTE2** For optimal operation, it is highly recommended that the input pulse (HIN1,2,3\* and LIN1,2,3\*) should have a minimum amplitude of 2.4V with a minimum pulse width of 600ns.

### 1.7 AC Electrical Characteristics

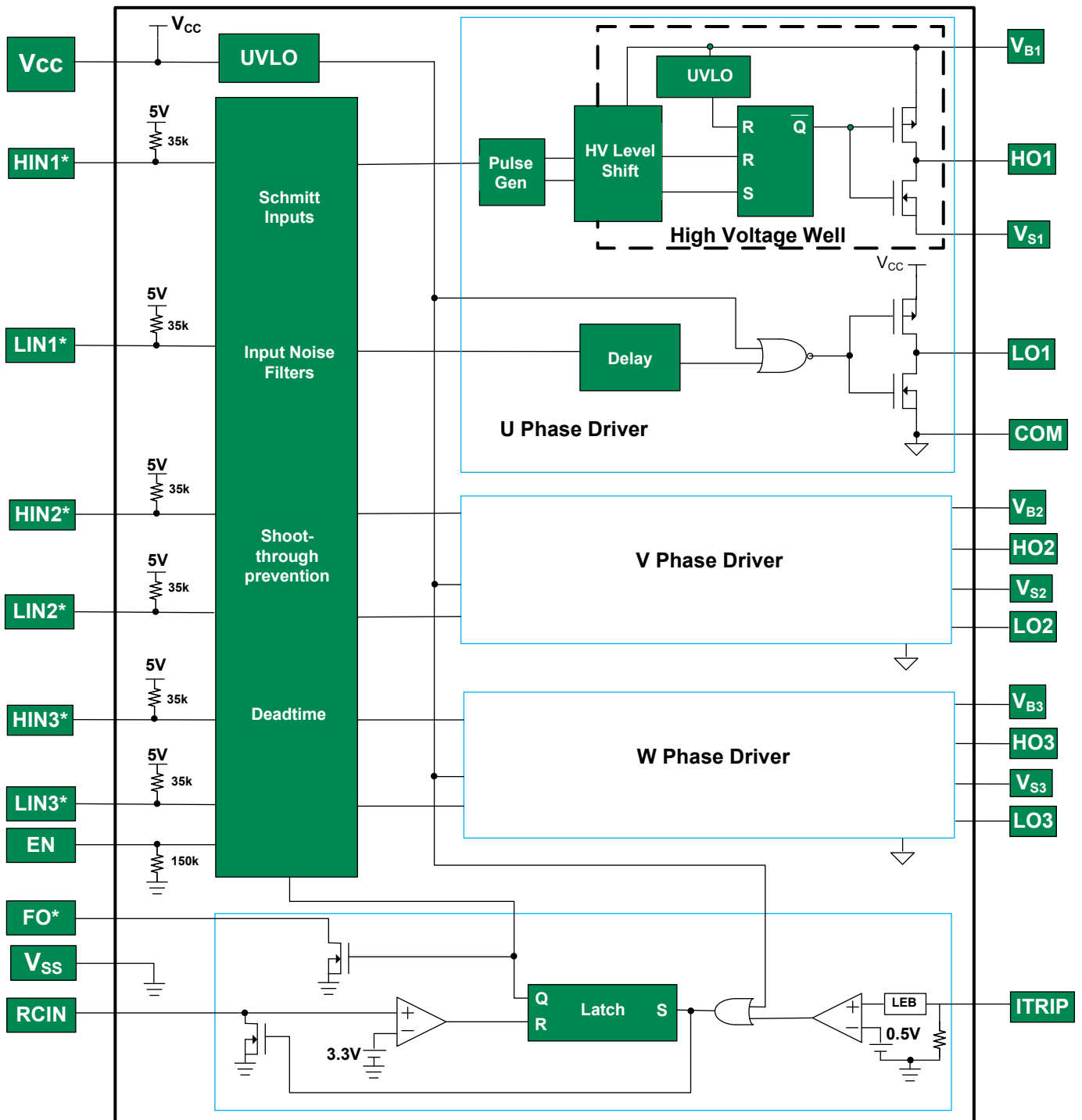
$V_{CC}=V_{BS}=15V$ ,  $T_A = 25^\circ C$ ,  $C_L=1000pF$ , and  $V_{SS}=V_{COM} = 0V$  unless otherwise specified.

Parameter	Symbol	Conditions	Min	Typical	Max	Unit
Turn-on propagation delay	$t_{on}$	$V_S = 0V$	200	330	460	ns
Turn-off propagation delay	$t_{off}$	$V_S = 0V$	200	330	460	
Turn-on rise time	$t_r$	$V_S = 0V$	--	90	150	
Turn-off fall time	$t_f$		--	35	60	
Propagation delay matching	$t_{DM}$	--	--	--	50	ns
Enable low to output shutdown delay	$t_{EN}$	--	225	330	425	ns
ITRIP Pin leading-edge blanking time	$t_{BLT}$	--	200	300	400	ns
ITRIP to FO* propagation delay	$t_{FLT}$	$V_{ITRIP} = 1V$	320	550	760	ns
ITRIP all gate outputs off propagation delay	$t_{ITRIP}$	$V_{ITRIP} = 1V$ All outputs	380	615	820	ns
Input filtering time (HIN*, LIN*, EN)	$t_{FLTIN}$		--	250	--	ns
Fault clear delay	$t_{FLTCLR}$	$C_{RCIN} = 1nF, R_{RCIN} = 2M\Omega$	--	1.6	--	ms
Deadtime	$t_{DT}$	--	200	290	420	ns
Deadtime matching	$t_{DTM}$	--	--	--	50	ns
Output pulse width matching $t_{PM} =  t_{IN} - t_{OUT} $	$t_{PM}$	$t_{IN} > 1\mu s$	--	50	75	ns



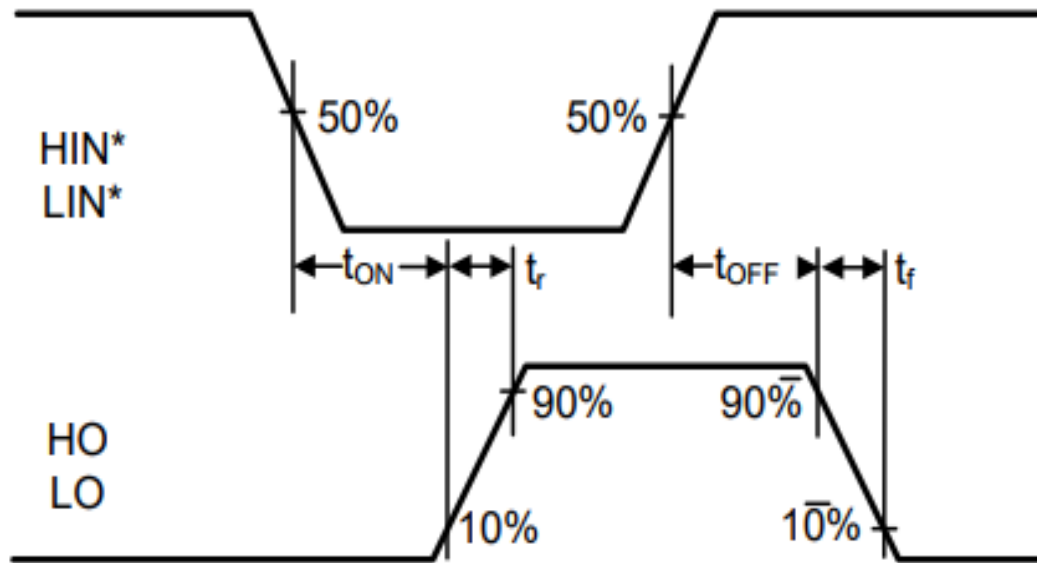
## 2 Functional Specifications

### 2.1 Functional Block Diagram

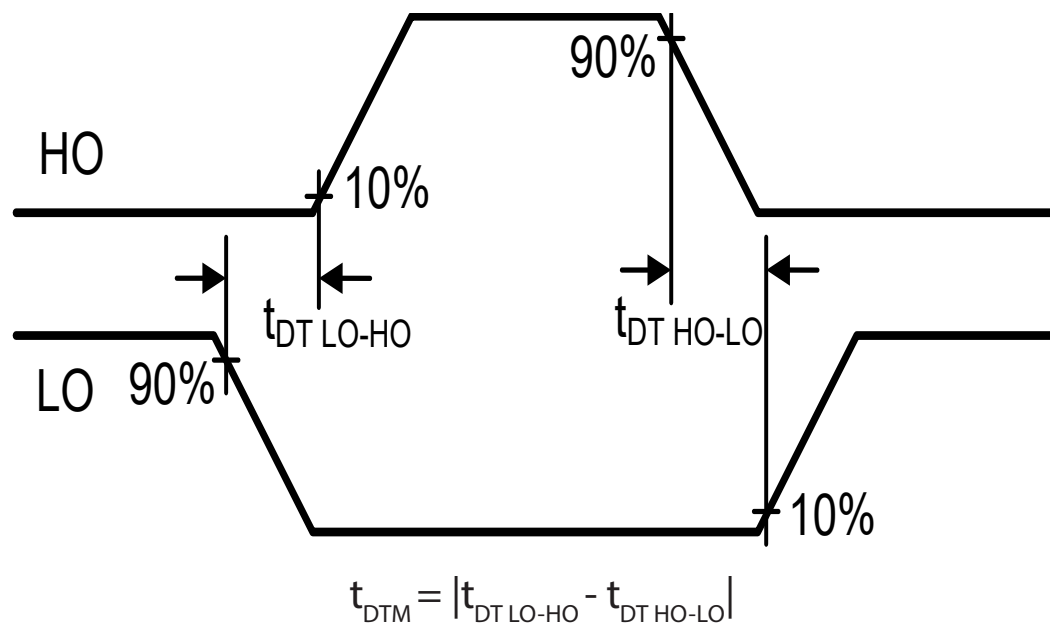


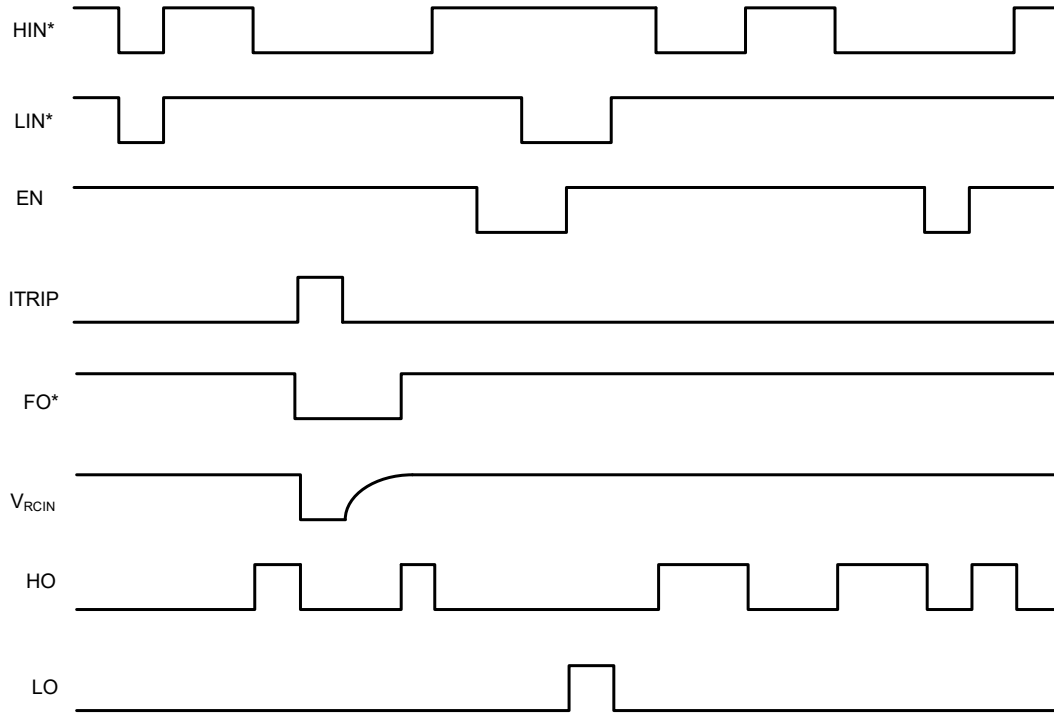
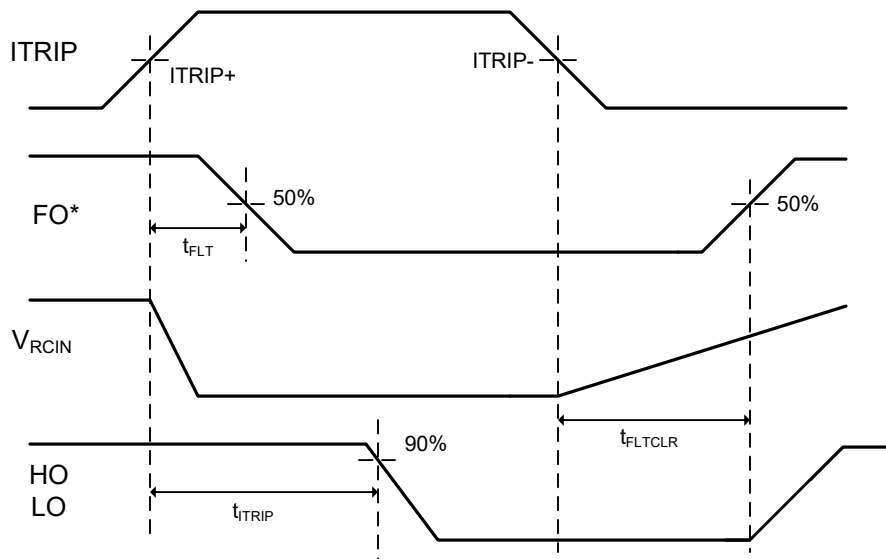
## 2.2 Timing Waveforms

**Figure 1.** Input-to-Output Delay Timing Diagram



**Figure 2.** Deadtime Waveform Diagram



**Figure 3. Input to Output Logic Diagram**

**Figure 4. Overcurrent Timing Diagram**


### 2.3 Application Information

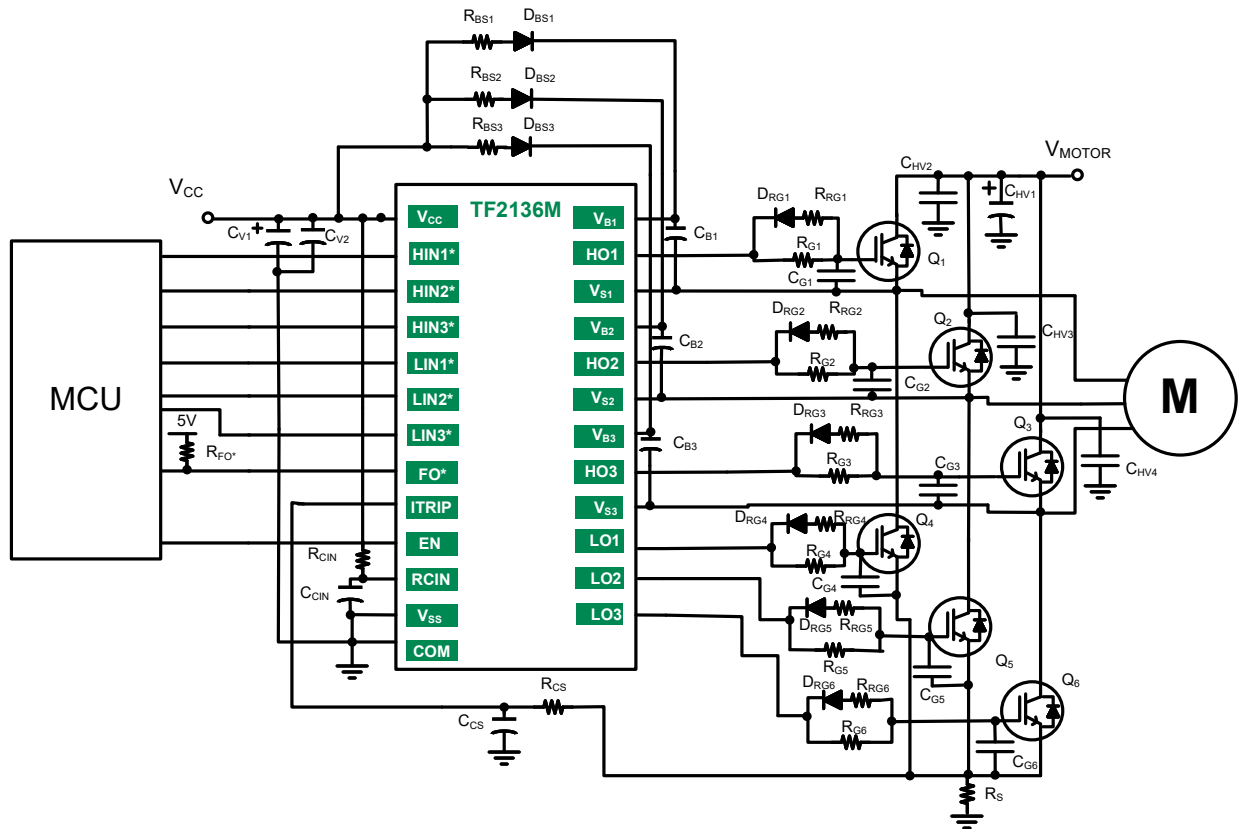


Figure 5. LF2136B in a 3 phase motor drive application.

- RRG1 - RRG6 values are typically between 0Ω and 10Ω, exact value decided by MOSFET junction capacitance and drive current of gate driver; 10Ω is used in this example.
- It is **highly recommended** that the input pulse (to HINx\* and LINx\*) should have minimum amplitude of 2.4V with a minimum pulse width of 600ns.
- RG1 - RG6 values are typically between 20Ω and 100Ω, exact value decided by MOSFET junction capacitance and drive current of gate driver; 50Ω is used in this example.
- RBS1 - RBS3 values are typically between 3Ω and 20Ω, exact value depending on bootstrap capacitor value and amount of current limiting required for bootstrap capacitor charging; 10Ω is used in this example. Also DB1 - DB3 should be an ultra fast diode of 1A rating minimum and voltage rating greater than system operating voltage.

### 3 Manufacturing Information

#### 3.1 Moisture Sensitivity



All plastic encapsulated semiconductor packages are susceptible to moisture ingress. Littelfuse Integrated Circuits Division classified all of its plastic encapsulated devices for moisture sensitivity according to the latest version of the joint industry standard, **IPC/JEDEC J-STD-020**, in force at the time of product evaluation. We test all of our products to the maximum conditions set forth in the standard, and guarantee proper operation of our devices when handled according to the limitations and information in that standard as well as to any limitations set forth in the information or standards referenced below.

Failure to adhere to the warnings or limitations as established by the listed specifications could result in reduced product performance, reduction of operable life, and/or reduction of overall reliability.

This product carries a **Moisture Sensitivity Level (MSL)** rating as shown below, and should be handled according to the requirements of the latest version of the joint industry standard **IPC/JEDEC J-STD-033**.

Device	Moisture Sensitivity Level (MSL) Classification
LF2136B	MSL3

#### 3.2 ESD Sensitivity



This product is **ESD Sensitive**, and should be handled according to the industry standard **JESD-625**.

#### 3.3 Reflow Profile

Provided in the table below is the IPC/JEDEC J-STD-020 Classification Temperature ( $T_c$ ) and the maximum dwell time the body temperature of these surface mount devices may be ( $T_c - 5$ )°C or greater. The Classification Temperature sets the Maximum Body Temperature allowed for these devices during reflow soldering processes.

Device	Classification Temperature( $T_c$ )	Dwell Time ( $t_p$ )	Max Reflow Cycles
LF2136B	260°C	30 seconds	3

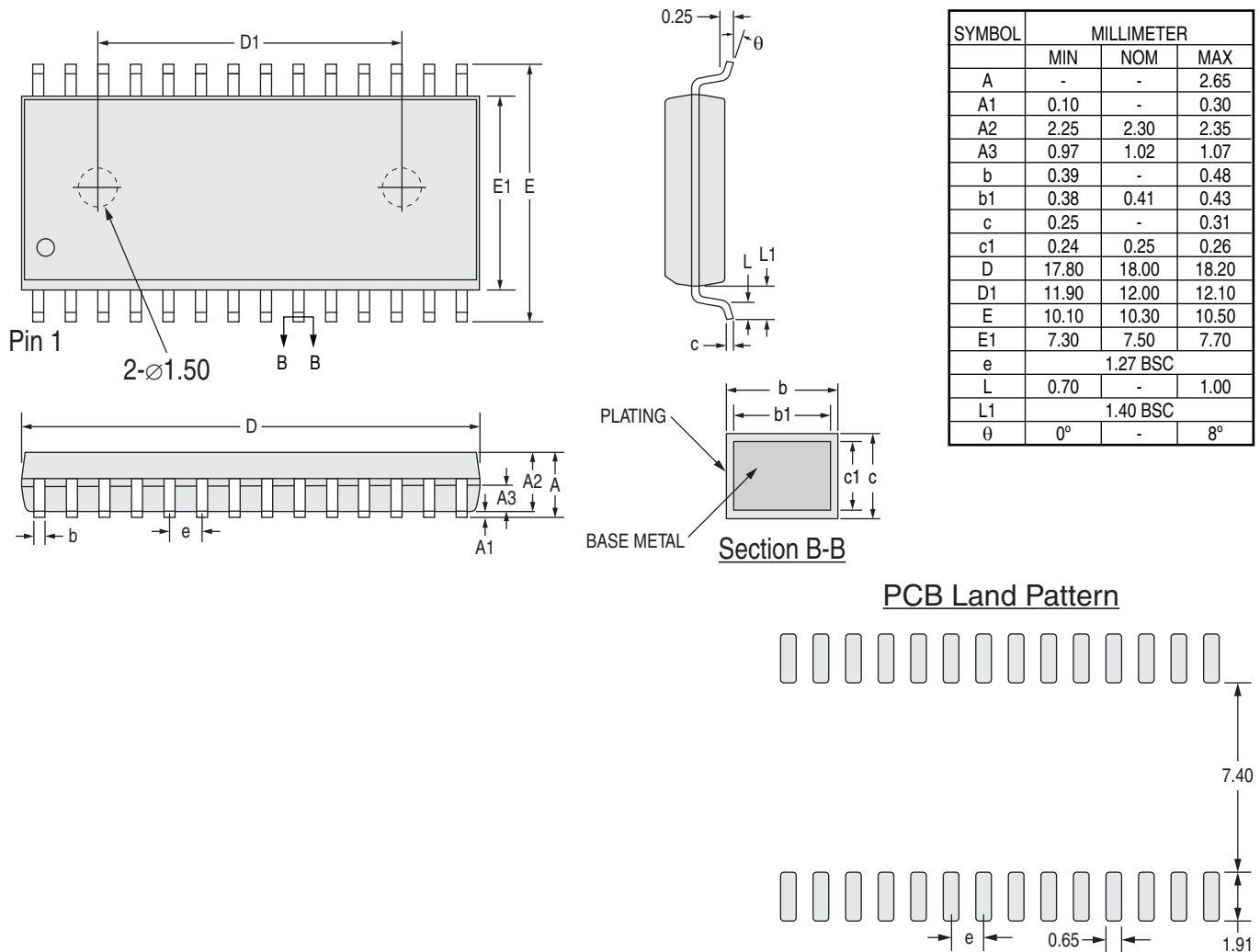


### 3.4 Board Wash

Littelfuse recommends the use of no-clean flux formulations. Board washing to reduce or remove flux residue following the solder reflow process is acceptable provided proper precautions are taken to prevent damage to the device. These precautions include but are not limited to: using a low pressure wash and providing a follow up bake cycle sufficient to remove any moisture trapped within the device due to the washing process. Due to the variability of the wash parameters used to clean the board, determination of the bake temperature and duration necessary to remove the moisture trapped within the package is the responsibility of the user (assembler). Cleaning or drying methods that employ ultrasonic energy may damage the device and should not be used. Additionally, the device must not be exposed to halide flux or solvents.



### 4 Package Dimensions : SOIC-28



### Important Notice

Disclaimer Notice - Information furnished is believed to be accurate and reliable. However, users should independently evaluate the suitability of and test each product selected for their own applications. Littelfuse products are not designed for, and may not be used in, all applications. Read complete Disclaimer Notice at <https://www.littelfuse.com/disclaimer-electronics>.

Specification: DS-LF2136B\_R01  
 ©Copyright 2021, Littelfuse, Inc.  
 All rights reserved.  
 Printed in USA.  
 09 / 20 / 2021

## X-ON Electronics

Largest Supplier of Electrical and Electronic Components

*Click to view similar products for [Gate Drivers](#) category:*

*Click to view products by [IXYS](#) manufacturer:*

Other Similar products are found below :

[00053P0231](#) [56956](#) [57.404.7355.5](#) [LT4936](#) [57.904.0755.0](#) [5882900001](#) [00600P0005](#) [00-9050-LRPP](#) [00-9090-RDPP](#) [5951900000](#) [01-1003W-10/32-15](#) [0131700000](#) [00-2240](#) [LTP70N06](#) [LVP640](#) [5J0-1000LG-SIL](#) [LY1D-2-5S-AC120](#) [LY2-US-AC240](#) [LY3-UA-DC24](#) [00576P0020](#) [00600P0010](#) [LZN4-UA-DC12](#) [LZNQ2M-US-DC5](#) [LZNQ2-US-DC12](#) [LZP40N10](#) [00-8196-RDPP](#) [00-8274-RDPP](#) [00-8275-RDNP](#) [00-8722-RDPP](#) [00-8728-WHPP](#) [00-8869-RDPP](#) [00-9051-RDPP](#) [00-9091-LRPP](#) [00-9291-RDPP](#) [0207100000](#) [0207400000](#) [01312](#) [0134220000](#) [60713816](#) [M15730061](#) [61161-90](#) [61278-0020](#) [6131-204-23149P](#) [6131-205-17149P](#) [6131-209-15149P](#) [6131-218-17149P](#) [6131-220-21149P](#) [6131-260-2358P](#) [6131-265-11149P](#) [CS1HCPU63](#)