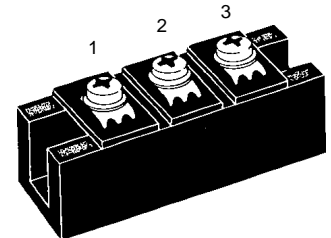
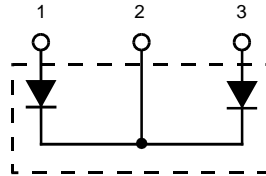


# HiPerFRED™ Epitaxial Diode dual diode, common cathode

**MEK 600-04 DA**
 $V_{RRM} = 400 \text{ V}$   
 $I_{FAVM} = 880 \text{ A}$   
 $t_{rr} = 220 \text{ ns}$ 

$V_{RSM}$ V	$V_{RRM}$ V	Type
400	400	MEK 600-04DA



Symbol	Conditions	Maximum Ratings	
$I_{FAVM}$	$T_C = 25^\circ\text{C}$ ; rectangular, $d = 0.5$	880	A
$I_{FAVM}$	$T_C = 80^\circ\text{C}$ ; rectangular, $d = 0.5$	575	A
$I_{FSM}$	$T_{VJ} = 25^\circ\text{C}$ ; $t = 10 \text{ ms}$ (50 Hz), sine	tbd	A
$T_{VJ}$		-40...+150	$^\circ\text{C}$
$T_{stg}$		-40...+125	$^\circ\text{C}$
$P_{tot}$	$T_C = 25^\circ\text{C}$	1100	W
$V_{ISOL}$	50/60 Hz, RMS; $I_{ISOL} \leq 1 \text{ mA}$	3600	V~
$M_d$	Mounting torque with screw M5 Terminal connection torque	2.25-2.75/20-25 4.5-5.5/40-48	Nm/lb.in. Nm/lb.in.
$a$	Allowable acceleration	50	$\text{m/s}^2$

Symbol	Conditions	Characteristic Values		
		min.	typ.	max.
$I_R$	$T_{VJ} = 25^\circ\text{C}$ $V_R = V_{RRM}$ $T_{VJ} = 125^\circ\text{C}$ $V_R = V_{RRM}$	6	6	mA mA
$V_F$	$I_F = 400 \text{ A}$ ; $T_{VJ} = 125^\circ\text{C}$ $T_{VJ} = 25^\circ\text{C}$		1.1 1.4	V V
$t_{rr}$	$V_R = 100 \text{ V}$ ; $-di_F/dt = 900 \text{ A}/\mu\text{s}$	220		ns
$I_{RM}$	$I_F = 400 \text{ A}$ ; $T_{VJ} = 125^\circ\text{C}$	80		A
$R_{thJS}$			0.11	K/W
$R_{thJC}$			0.22	K/W
$d_s$	Creeping distance on surface	12.7		mm
$d_A$	Strike distance through air	9.6		mm
<b>Weight</b>		150		g

Data according to IEC 60747

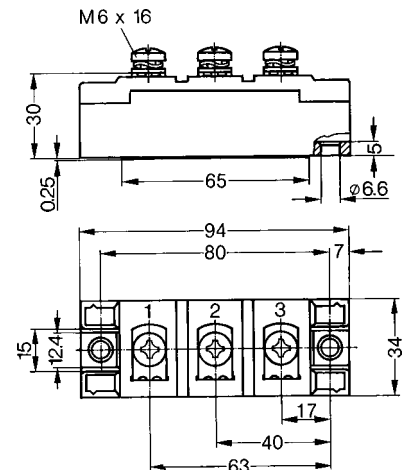
## Features

- HiPerFRED™ diode chips
  - fast reverse recovery
  - low operating forward voltage
  - low leakage current
  - avalanche capability
- Industry Standard package
  - with isolated DCB ceramic base plate
  - UL registered E72873

## Applications

- Topologies
  - dual diode with common cathode
  - high current single diode with pins 1 and 3 paralleled
- Circuits
  - free wheeling diode of choppers, H-bridges, phaselegs etc.
  - secondary rectifier for switched mode power supplies, welders etc.

## Dimensions in mm (1 mm = 0.0394")



010

## X-ON Electronics

Largest Supplier of Electrical and Electronic Components

*Click to view similar products for [Discrete Semiconductor Modules](#) category:*

*Click to view products by [IXYS](#) manufacturer:*

Other Similar products are found below :

[M252511FV](#) [DD260N12K-A](#) [DD380N16A](#) [DD89N1600K-A](#) [APT2X21DC60J](#) [APT58M80J](#) [B522F-2-YEC](#) [MSTC90-16](#) [25.163.0653.1](#)  
[25.163.2453.0](#) [25.163.4253.0](#) [25.190.2053.0](#) [25.194.3453.0](#) [25.320.4853.1](#) [25.320.5253.1](#) [25.326.3253.1](#) [25.326.3553.1](#) [25.330.1653.1](#)  
[25.330.4753.1](#) [25.330.5253.1](#) [25.334.3253.1](#) [25.334.3353.1](#) [25.350.2053.0](#) [25.352.4753.1](#) [25.522.3253.0](#) [T483C](#) [T484C](#) [T485F](#) [T485H](#)  
[T512F-YEB](#) [T513F](#) [T514F](#) [T554](#) [T612FSE](#) [25.161.3453.0](#) [25.179.2253.0](#) [25.194.3253.0](#) [25.325.1253.1](#) [25.326.4253.1](#) [25.330.0953.1](#)  
[25.332.4353.1](#) [25.350.1653.0](#) [25.350.2453.0](#) [25.352.1453.0](#) [25.352.1653.0](#) [25.352.2453.0](#) [25.352.5453.1](#) [25.522.3353.0](#) [25.602.4053.0](#)  
[25.640.5053.0](#)