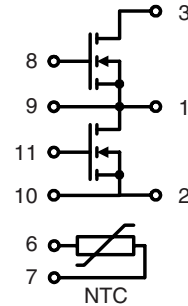


# Dual Power HiPerFET™ Module

$V_{DSS} = 100\text{ V}$   
 $I_{D25} = 680\text{ A}$   
 $R_{DS(on)} = 1.8\text{ m}\Omega$

Phaseleg Configuration

Preliminary Data



### MOSFET T1 + T2

Symbol	Conditions	Maximum Ratings
$V_{DSS}$	$T_{VJ} = 25^{\circ}\text{C to } 150^{\circ}\text{C}$	100 V
$V_{GS}$		$\pm 20$ V
$I_{D25}$	$T_C = 25^{\circ}\text{C}$ ①	680 A
$I_{D80}$	$T_C = 80^{\circ}\text{C}$ ①	500 A
$I_{F25}$	(diode) $T_C = 25^{\circ}\text{C}$ ①	680 A
$I_{F80}$	(diode) $T_C = 80^{\circ}\text{C}$ ①	500 A

### Features

- HiPerFET™ technology
  - low  $R_{DS(on)}$
  - unclamped inductive switching (UIS) capability
  - dv/dt ruggedness
  - fast intrinsic reverse diode
  - low gate charge
- thermistor for internal temperature measurement
- package
  - low inductive current path
  - screw connection to high current main terminals
  - use of non interchangeable connectors for auxiliary terminals possible
  - Kelvin source terminals for easy drive
  - isolated DCB ceramic base plate

Symbol	Conditions	Characteristic Values ( $T_{VJ} = 25^{\circ}\text{C}$ , unless otherwise specified)		
		min.	typ.	max.
$R_{DS(on)}$	$V_{GS} = 10\text{ V}; I_D = I_{D80}$		1.8	2.2 m $\Omega$
$V_{GS(th)}$	$V_{DS} = 20\text{ V}; I_D = 30\text{ mA}$	2		4 V
$I_{DSS}$	$V_{DS} = 0.8 \cdot V_{DSS}; V_{GS} = 0\text{ V}; T_{VJ} = 25^{\circ}\text{C}$ $T_{VJ} = 125^{\circ}\text{C}$		1.5	1 mA mA
$I_{GSS}$	$V_{GS} = \pm 20\text{ V}; V_{DS} = 0\text{ V}$			1 $\mu\text{A}$
$Q_g$ $Q_{gs}$ $Q_{gd}$	$V_{GS} = 10\text{ V}; V_{DS} = 75\text{ V}; I_D = I_{D80}$		1440	nC
			200	nC
			680	nC
$t_{d(on)}$ $t_r$ $t_{d(off)}$ $t_f$	$V_{GS} = 10\text{ V}; V_{DS} = 0.5 \cdot V_{DSS};$ $I_D = I_{D80}; R_G = 0.47\ \Omega$		150	ns
			250	ns
			400	ns
			200	ns
$V_F$	(diode) $I_F = 650\text{ A}; V_{GS} = 0\text{ V}$		1.2	1.5 V
$t_{rr}$	(diode) $I_F = 650\text{ A}; -di/dt = 500\text{ A}/\mu\text{s}; V_{DS} = \frac{1}{2} V_{DSS}$		300	ns
$R_{thJC}$ $R_{thJS}$	with heat transfer paste		0.12	0.08 K/W K/W

① additional current limitation by external leads

IXYS reserves the right to change limits, test conditions and dimensions.

© 2004 IXYS All rights reserved

### Applications

- converters with high power density for
  - main and auxiliary AC drives of electric vehicles
  - 4 quadrant DC drives
  - power supplies

### Temperature Sensor NTC

Symbol	Conditions	Characteristic Values		
		min.	typ.	max.
$R_{25}$	$T = 25^{\circ}\text{C}$		2200	$\Omega$
$B_{25/100}$			3560	K

### Module

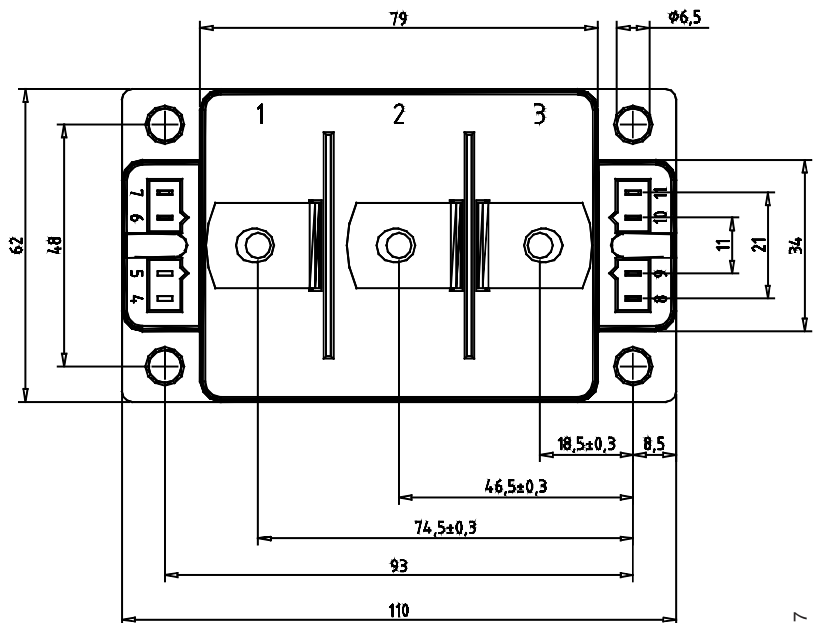
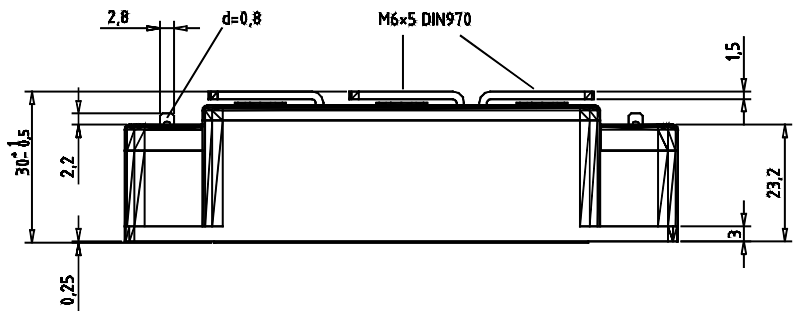
Symbol	Conditions	Maximum Ratings		
		min.	typ.	max.
$T_{VJ}$		-40...+150		$^{\circ}\text{C}$
$T_{stg}$		-40...+125		$^{\circ}\text{C}$
$V_{ISOL}$	$I_{ISOL} \leq 1 \text{ mA}; 50/60 \text{ Hz}$		3600	V~
$M_d$	Mounting torque (M6)	2.25 - 2.75		Nm
	Terminal connection torque (M6)	4.5 - 5.5		Nm

Symbol	Conditions	Characteristic Values			Dimensions in mm (1 mm = 0.0394")
		min.	typ.	max.	
Weight			250		g

#### Optional accessories for modules

keyed twin plugs  
(UL758, style 1385, CSA class 5851, guide 460-1-1)

- Type ZY180L with wire length 350mm  
– for pins 4 (yellow wire) and 5 (red wire)  
– for pins 11 (yellow wire) and 10 (red wire)
- Type ZY180R with wire length 350mm  
– for pins 7 (yellow wire) and 6 (red wire)  
– for pins 8 (yellow wire) and 9 (red wire)



IXYS reserves the right to change limits, test conditions and dimensions.

## X-ON Electronics

Largest Supplier of Electrical and Electronic Components

*Click to view similar products for [Discrete Semiconductor Modules](#) category:*

*Click to view products by [IXYS](#) manufacturer:*

Other Similar products are found below :

[M252511FV](#) [M254043](#) [DD260N12K-A](#) [DD380N16A](#) [DDB6U144N16R](#) [DDB6U145N16L](#) [DR7306](#) [APT20M11JFLL](#) [APT2X101DL40J](#)  
[APT2X21DC60J](#) [APT2X30D40J](#) [APT2X30D60J](#) [APT2X31DQ120J](#) [APT39M60J](#) [APT47M60J](#) [APT50DF170HJ](#) [APT50M50JLL](#)  
[APT50M75JLLU3](#) [APT50N60JCCU2](#) [APT58M80J](#) [APT80F60J](#) [DZ540N26K](#) [B522F-2-YEC](#) [MSTC90-16](#) [MT16HTF12864AZ-800G1](#)  
[MT18HTF12872PZ-667G1](#) [MT18HTF25672FDZ-667H1D6](#) [MT18HTF25672PZ-80EH1](#) [MT18RTF25672FDZ-667H1D6](#)  
[MT36HTF51272FZ-667H1D4](#) [MT36HTF51272FZ-667H1D6](#) [MT8HTF12864HTZ-667H1](#) [MT9HTF6472PZ-667G1](#) [MT9HVF12872PZ-](#)  
[80EH1](#) [MT9HVF6472PZ-667G1](#) [ND104N16K](#) [25.163.0653.1](#) [25.163.2453.0](#) [25.163.4253.0](#) [25.190.2053.0](#) [25.194.3453.0](#) [25.320.4853.1](#)  
[25.320.5253.1](#) [25.325.3653.1](#) [25.326.3253.1](#) [25.326.3553.1](#) [25.330.1653.1](#) [25.330.4753.1](#) [25.330.5253.1](#) [25.334.3253.1](#)