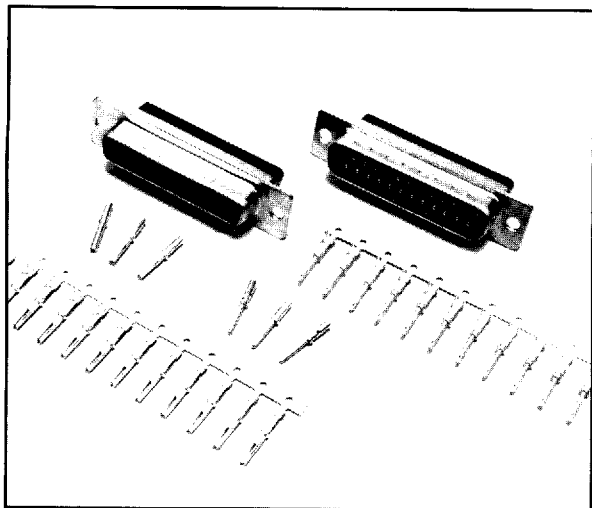


D*U SUBMINIATURE CONNECTORS

Crimp Contact Type



D*U Subminiature connectors feature crimp-type contacts. The contacts can be terminated with either a simple manual crimping tool, or a semiautomatic crimping machine for rapid, high volume terminations. The contacts are inserted in the housing after crimping and are retained by molded-in tines located inside the insulators. A simple tool permits easy contact removal without damage.

D*U Subminiature connectors are reliable, low cost general purpose connectors for commercial applications.

FEATURES

- Crimp snap-in contacts
- Low cost stamped contacts and machined contacts
- Compatible with manual and high-speed semiautomatic crimping machines
- Low cost, easy-to-use multipurpose connectors
- AWG #18 to #30 wire size
- Straight and right angle PCB contacts available
- Rear release contact retention and mating/unmating construction

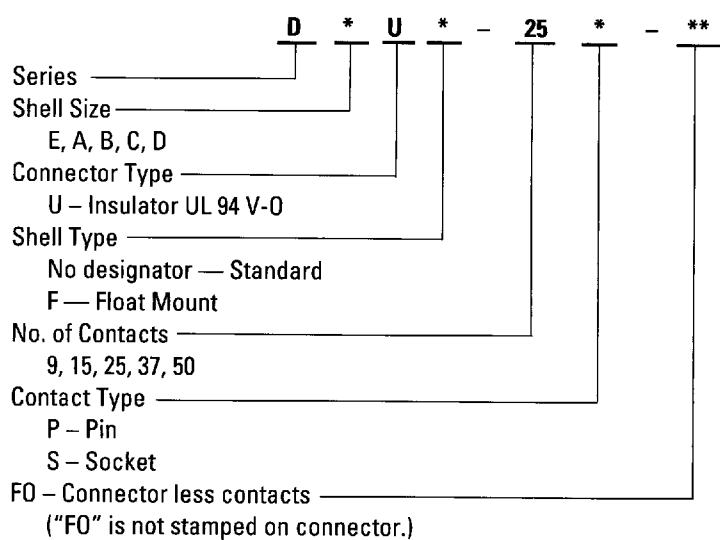
GENERAL SPECIFICATIONS

| | |
|---------------------------------|---|
| Number of Contacts | 9, 15, 25, 37, 50 |
| Current Rating | 5 Amps |
| Dielectric Withstanding Voltage | 1000 VAC r.m.s. (for one minute) |
| Insulation Resistance | 5,000 megohms min. |
| Contact Resistance | AWG #18 to #22/2.7 milliohms max. AWG #24 to #26/4.5 milliohms max. AWG #28 to #30/6 milliohms max. |

MATERIALS AND FINISHES

| | |
|-------------|---|
| Description | Materials/Finishes |
| Contacts | Copper Alloy/Gold Plate |
| Insulator | Front: Glass-filled polyester Back: Glass-filled Nylon, UL94V-0, Black |
| Shell | Steel/Yellow chromate over zinc plate |

ORDERING INFORMATION

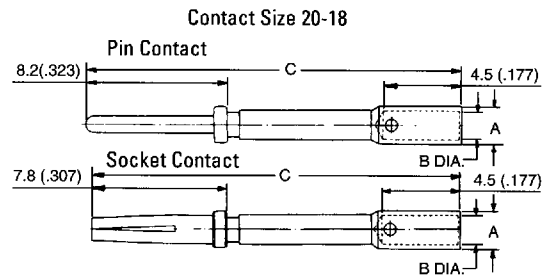
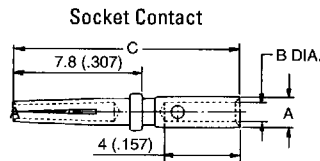
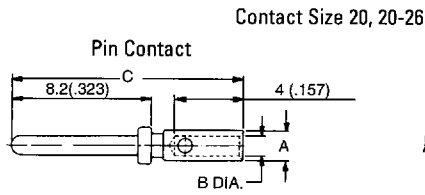


D*U SUBMINIATURE CONNECTORS

Crimp Contact Type

CRIMP TERMINATION CONTACTS FOR D*U

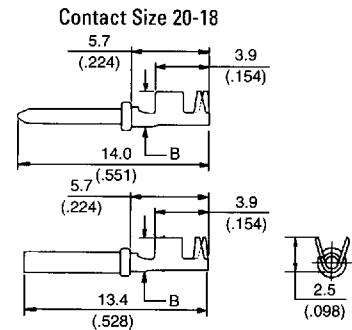
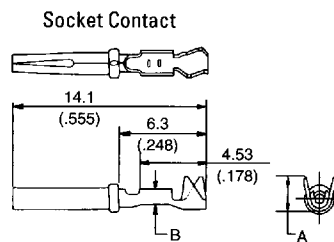
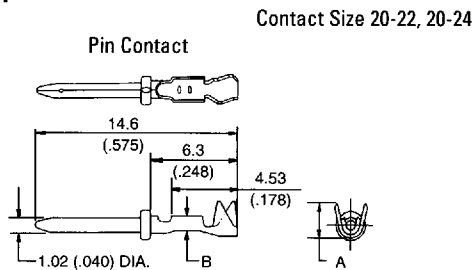
• Machined Contacts



| Contact Size | Contact Type | Part Number | Applicable Wire (AWG) | A ref. | B ref. | C ref. |
|-----------------|--------------|--------------|-----------------------|-------------|-------------|-------------|
| 20 | Pin | 030-50635 | #20, 22, 24 | 1.7 (.067) | 1.12 (.044) | 13.5 (.531) |
| | Socket | 030-50634 | #20, 22, 24 | 1.7 (.067) | 1.12 (.044) | 13.0 (.512) |
| 20-26 | Pin | 030-50641 | #26, 28, 30 | 1.7 (.067) | 0.62 (.024) | 13.5 (.531) |
| | Socket | 030-50640 | #26, 28, 30 | 1.7 (.067) | 0.62 (.024) | 13.0 (.512) |
| (Note) 20-18 | Pin | 030-1954-000 | #18 or 2 #22 | 2.18 (.086) | 1.65 (.065) | 21.7 (.854) |
| | Socket | 030-1955-000 | #18 or 2 #22 | 2.18 (.086) | 1.65 (.065) | 21.3 (.839) |

Note: For contact size 20-18, shrink sleeving covering a crimp pot is recommended to improve dielectric separation of contacts.

• Stamped Contacts



- Stamped contacts are furnished either on a reel (10,000 contacts per reel) for semi-automatic crimping machine CT350-2, or loose (100 contacts per pack) for use with manual crimping tools.
- Cable is securely terminated by insulation-support crimping. (Conductor crimping only for contact size 20-18.)

| Contact Size | Contact Type | Part Number | | A ref. | B ref. | Applicable Wire Size | |
|--------------|--------------|--|--|------------|-------------|--------------------------|--|
| | | Reeled Contacts (10,000 contacts per reel) | Loose Contacts (100 contacts per pack) | | | Applicable AWG | Insulation Dia. |
| 20-18 | Pin | D*C-20-18P-10000 | D*C-20-18P-PKG100 | 2.5 (.098) | 2.4 (.094) | #18 to #22 | — |
| | Socket | D*C-20-18S-10000 | D*C-20-18S-PKG100 | | | | |
| 20-22 | Pin | D*C-20-22P-10000 | D*C-20-22P-PKG100 | 2.6 (.102) | 1.8 (.071) | #22 to #24 | ø1.2 to ø1.7 (ø.047 to ø.067) |
| | Socket | D*C-20-22S-10000 | D*C-20-22S-PKG100 | | | | |
| 20-24 | Pin | D*C-20-24P-10000 | D*C-20-24P-PKG100 | 2.3 (.091) | 1.55 (.061) | #24 to #28 #28 to #30 | ø0.8 to ø1.5 (ø.031 to ø.059) ø0.5 to ø1.2 (ø.020 to ø.047) |
| | Socket | D*C-20-24S-10000 | D*C-20-24S-PKG100 | | | | |

• Tools for D*U

| Contact | | Part Number | | | Applicable Wire Size (AWG) | Insertion/Extraction Tool | Extraction Tool |
|----------|-------|--------------------------------------|--------------|---------------------------------|----------------------------|---------------------------|-----------------|
| | | Hand Crimp Tool | Locator | Semi-Automatic Crimping Machine | | | |
| MACHINED | 20 | M22520/2-01 | JP-D*C-20-20 | — | #20, 22, 24 | JJET-D*C-20 | ET-20D |
| | 20-26 | M22520/2-01 | JP-D*C-20-20 | — | #26, 28, 30 | JJET-D*C-20 | ET-20D |
| | 20-18 | M22520/1-01 | TH185 | — | #18, OR 2#22 | — | — |
| STAMPED | 20-18 | CT150-2B-D*C | | CT350-2C-D*C | #18 to #22 | JJET-D*C-20 | ET-20D |
| | 20-22 | CT150-2-D*C | | CT350-2C-D*C | #22 to #24 | JJET-D*C-20 | ET-20D |
| | 20-24 | (Note 1) CT150-2-D*C, CT150-2-D*Cmk2 | | CT350-2C-D*C | #24 to #28 | JJET-D*C-20 | ET-20D |
| | | — | | CT350-2C-D*C30 | #28 to #30 | JJET-D*C-20 | ET-20D |

Note: When ordering hand tool M22520, purchase the proper locator separately.

Note 1: CT150-2-D*C for insulation dia. 1.5 to 1.0 (.059 to .039), CT150-2-D*Cmk2 for insulation dia. 1.3 to 0.8 (.051 to .031)

Dimensions in mm (inches).

Hong Kong
Tel: 852-2723-7782
Fax: 852-2723-9028

Japan
03-3780-2715
03-3780-2883

Singapore
65-748-1332
65-748-2920

Taiwan
02-555-9711
02-556-5424

United Kingdom
1276-21717
1276-66165

United States
714-753-2600
714-753-2699



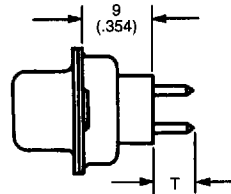
D*U SUBMINIATURE CONNECTORS

Through Hole Type

STRAIGHT THROUGH HOLE CONTACTS FOR D*U SERIES

Straight through hole type contacts are also available for D*U Series connectors. Contacts are rear insertion, rear release type.

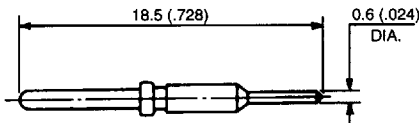
- Please refer to page 240 for Dimensions and Contact Arrangements of D*U Connector, and page 244 for PCB Mounting Hole Patterns.



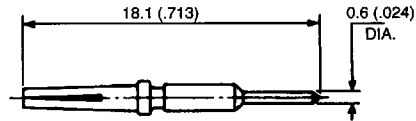
| Dimension T | |
|---------------|------------|
| Machined Type | 3.7 (.146) |
| Stamped Type | 4.3 (.169) |

• Machined Contacts (Copper alloy/Gold plate)

Pin Contact
030-50662

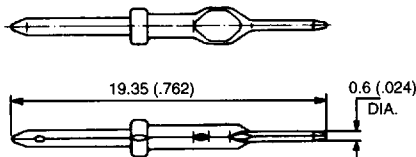


Socket contact
030-50663

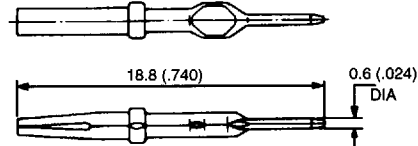


• Stamped Contacts (High strength copper/Gold plate in connecting area, Tin plate in terminal area)

Pin Contact
030-51530-201



Socket contact
030-51531-201



Dimensions in mm (inches).

X-ON Electronics

Largest Supplier of Electrical and Electronic Components

Click to view similar products for [D-Sub Contacts](#) category:

Click to view products by [JAE](#) manufacturer:

Other Similar products are found below :

[D02-22-26S-10000](#) [8656352067LF](#) [131A15029X](#) [132J22039X](#) [132A11029X](#) [132A11049X](#) [132A12059X](#) [1757912-1](#) [188582-000](#)
[162A11889X](#) [1757913-1](#) [212558-1](#) [030-1955-000](#) [053744-0098](#) [053744-0099](#) [053745-0105](#) [053745-0111](#) [601098N003](#) [D-610-10CS2962](#)
[86303057NLF](#) [131A11019X](#) [162A11819X](#) [40-9854MP](#) [1-208778-5](#) [FC120N2](#) [MC7526D/AA](#) [MC8122D/AA](#) [FC4010D-15](#) [FC4006D](#)
[121A05329A](#) [164C16669X](#) [86566620064LF](#) [131A13019X](#) [DLS3XS5AK40X](#) [09692825723](#) [030-1954-000](#) [L17DM53744207](#)
[L17RRD1M11400](#) [030-1952-000](#) [030-1953-000](#) [030-1953-030](#) [132C11039X](#) [132J15019X](#) [132C15019X](#) [132A10039X](#) [131A10029X](#)
[8638PSC2006LF](#) [8656453067LF](#) [86566520064LF](#) [L17DM537441](#)