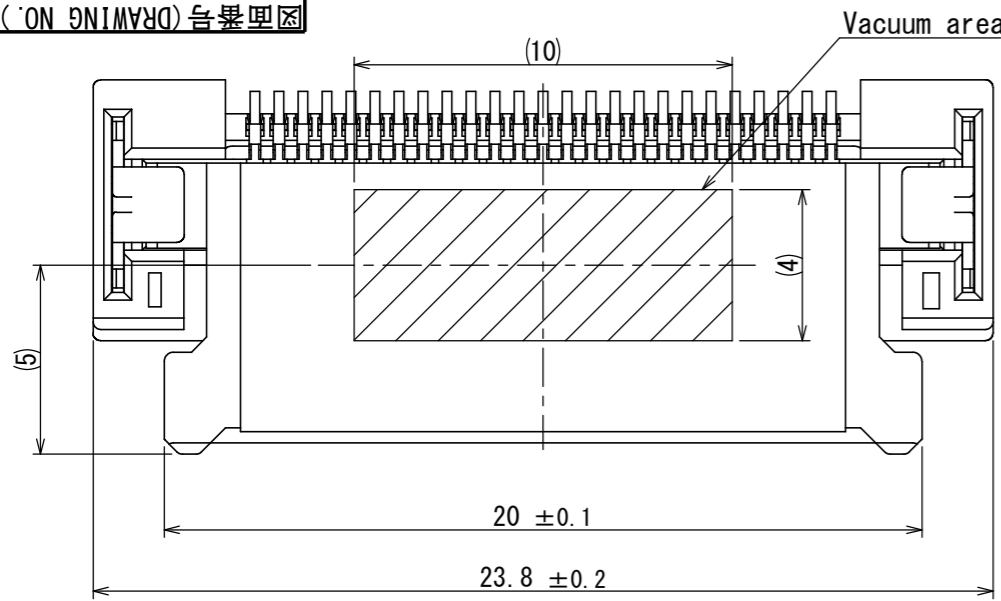


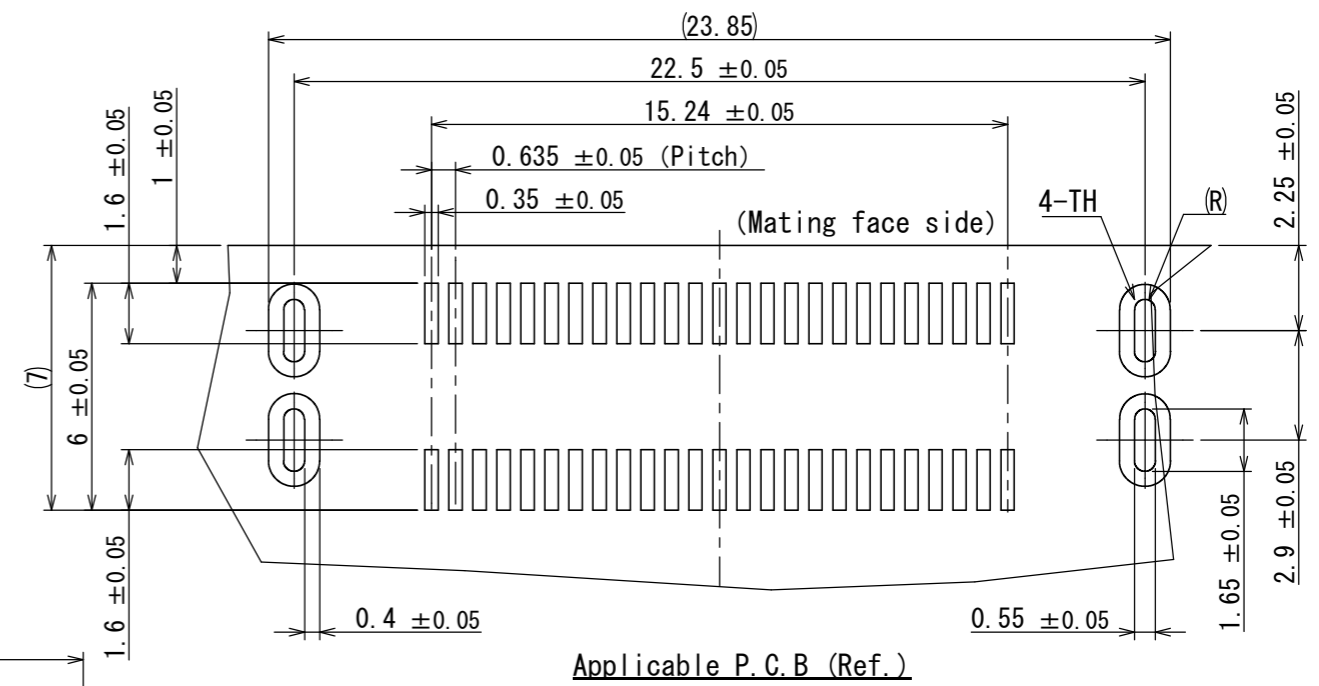
SJ120395
(ON DRAWING NO.)

版数 VER.	年月日 DATE	CN NO.	変更内容 DESCRIPTION	製図 DR.	担当 CHK.	査閲 APPD.	承認 APPD.
2	15/OCT/2019	031719	Changed SPECIFICATION No.		K. SHIMOJI	—	H. OBIKANE
3	30/OCT/2019	031900	Changed the notation of materials.		K. SHIMOJI	—	H. OBIKANE

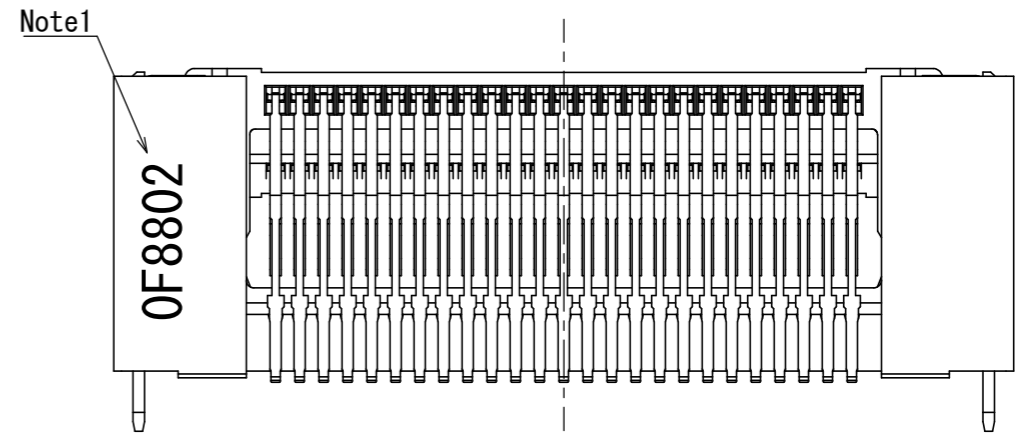
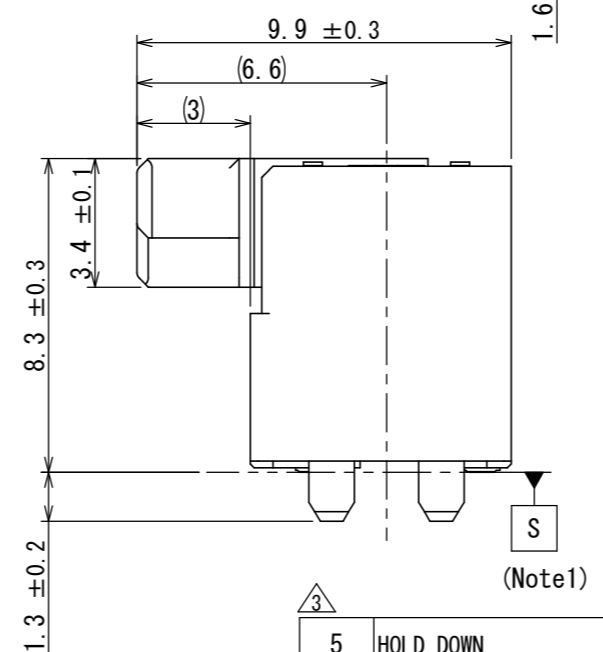
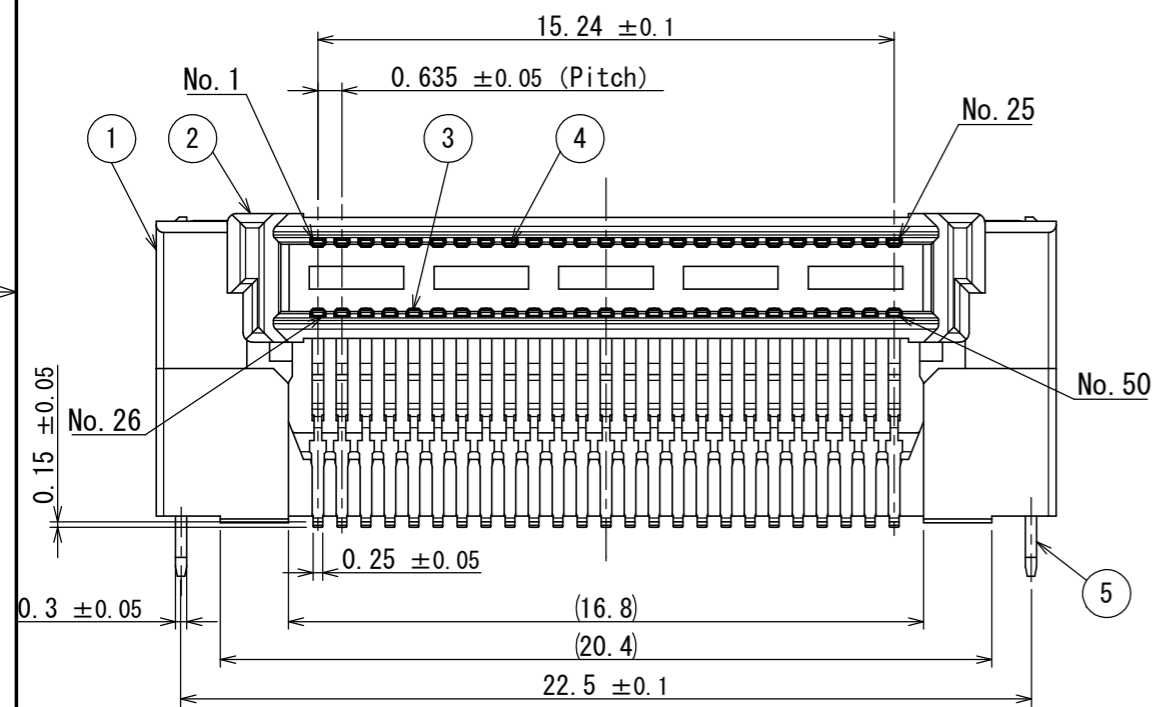


Note1. The datum S is on the base of surface board.
Note2. Production lot number are marked as indicated.

Ex.) O F 8 8 0 2
 Manufacturing code
 Year (Last digit only)
 Month (1~9, 0, X, Y)
 Day



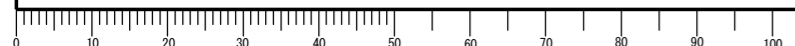
Applicable P.C.B (Ref.)



符号 NO.	名称 DESCRIPTION	個数 QTY.	材料 MATERIAL	仕上 FINISH	備考 REMARKS
5	HOLD DOWN	2	COPPER ALLOY	TIN PLATING OVER NICKEL	
4	CONTACT (Upper stage)	25	COPPER ALLOY	Contact: GOLD OVER NICKEL Terminal: GOLD-FLASH OVER NICKEL	
3	CONTACT (Lower stage)	25	COPPER ALLOY	Contact: GOLD OVER NICKEL Terminal: GOLD-FLASH OVER NICKEL	
2	INSULATOR (Upper stage)	1	LCP	—	
1	INSULATOR (Lower stage)	1	LCP	—	

仕様書 (SPECIFICATION) JACS-11239-*	第1版 (ORIGINAL DATE) 02/AUG/2018	尺度 (SCALE) 5:1	シリーズ (SERIES) AX03	日本航空電子工業株式会社
一般公差 (GENERAL TOLERANCE) 寸法 (DIMENSION) ±0.8 × ±0.4 ×× ±0.1 ××× ±	角度 (ANGLES) ×° ± ×°×' ± 単位 (UNIT) : mm	製図 DR. 担当 CHK. 査閲 APPD. 承認 APPD.	名称 (TITLE) AX03F050HAX1	JAPAN AVIATION ELECTRONICS INDUSTRY, LTD.
質量 (MASS)			図面番号 (DRAWING NO.) SJ120395	版数 (VER.) 3

DCF-C-212H(12.08)



WISDOM承認 2019/11/06

X-ON Electronics

Largest Supplier of Electrical and Electronic Components

Click to view similar products for [Board to Board & Mezzanine Connectors](#) category:

Click to view products by [JAE](#) manufacturer:

Other Similar products are found below :

[589158040000018](#) [MDF7C-18P-2.54DSA\(55\)](#) [FCN-230C068-11](#) [FCN-268F012-G/BD](#) [FCN-268F036-G/BD](#) [FCN-268M012-G/0D](#) [FCN-268M024-G/1D](#) [FCN-723J004/1](#) [MIS-048-01-F-D-DP-K](#) [832-10-034-10-001000](#) [FX4C-80S-1.27DSA](#) [FCN-214Q030-G/0](#) [FCN-234P048-G/0](#) [FCN-235D050-G/C](#) [210-93-314-41-105000](#) [2-22603-0](#) [MDF7-40DP-2.54DSA\(55\)](#) [AXG720047](#) [MIT-114-03-F-D-K](#) [55323-1519](#) [DF33-2P-3.3DSA\(24\)](#) [YFT-20-05-H-03-SB-K](#) [503308-3040](#) [026-6203-PDB](#) [027-6203-PDB](#) [069159702701000](#) [10123981-102LF](#) [101A10019X](#) [55650-0588-C](#) [68682-310LF](#) [68684-306](#) [75140-7012](#) [87471-650](#) [FCN-268F024-G0D](#) [10124054-515LF](#) [68685-603](#) [8-1616154-3](#) [MIS-019-01-F-D](#) [FCN-268M024-G/3D](#) [FCN-268M036-G/BD](#) [20021832-06016C1LF](#) [KX15-20KLDL-E1000E](#) [AXE810124](#) [FCN-214J100-G/0](#) [FCN-230C068-E/S](#) [AXE812124](#) [AXE816124](#) [AXE720127](#) [354184](#) [MIT-019-04-F-D-K](#)