

**NEW**  


Compact Coaxial Connectors for Digital Radio

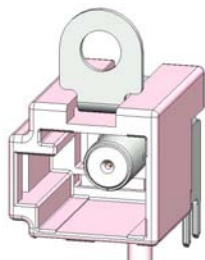
CONNECTOR

MB-0258-1

April 2013

# CE2 Series (50Ω)

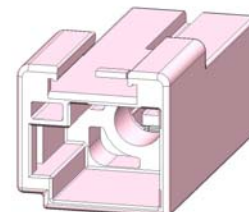
**RoHS Compliant**



Board Connector



Cable Connector



Relay Connector

JAE has developed the CE2 Series (50Ω) connector for digital radio as an addition to the existing CE2 Series (75Ω) coaxial connector for automotive antenna applications.

Digital radio popularity is primarily in Europe and the United States, but the CE2 Series (50 Ω) can also be used for terrestrial digital television broadcast applications.

The CE2 Series is now available in three developed pin count variations: coaxial 1 position, coaxial 2 position, and coaxial 1 position with terminal 1 position.

Having equivalent performance with the existing CE2 Series and enhanced terminal pulling endurance and noise resistance, this product was made to satisfy a wide range of requirements.

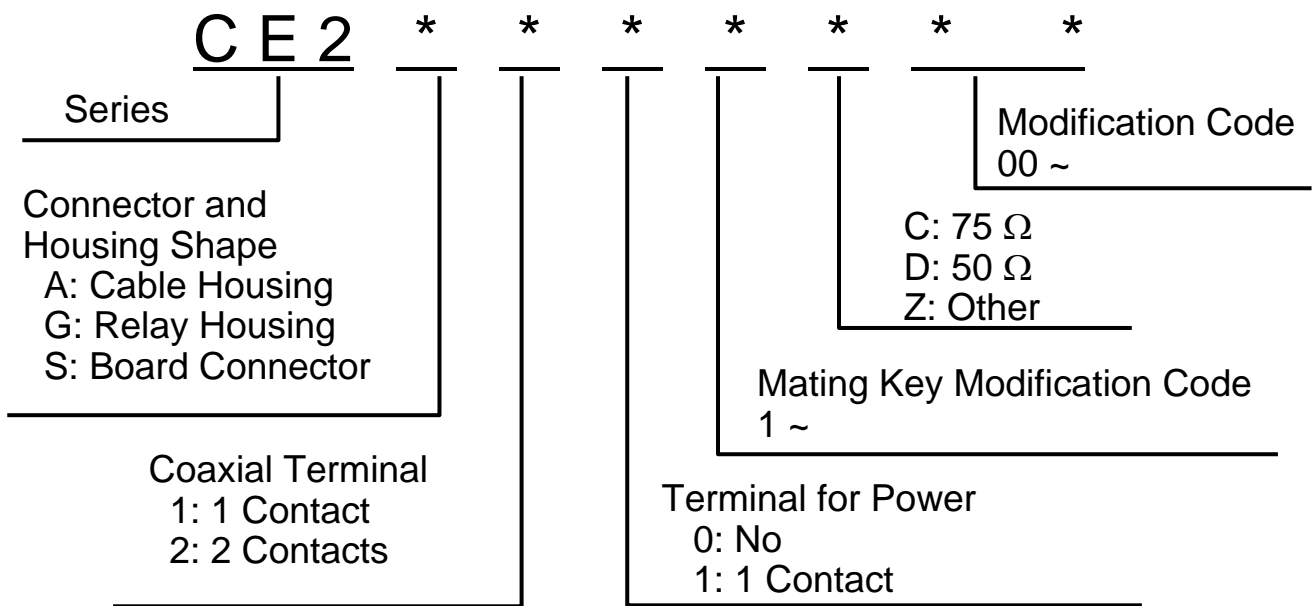
**Features**

- Applicable frequency range is up to 1.5 GHz.
- Compact type available in three developed pin count variations. Board type has brackets for screw fixing to panel. (Not available for coaxial 2 position type.)
- Noise resistance enhanced by an outer terminal structure that covers entire cable core area.
- Meets the performance requirements for an automotive connector.

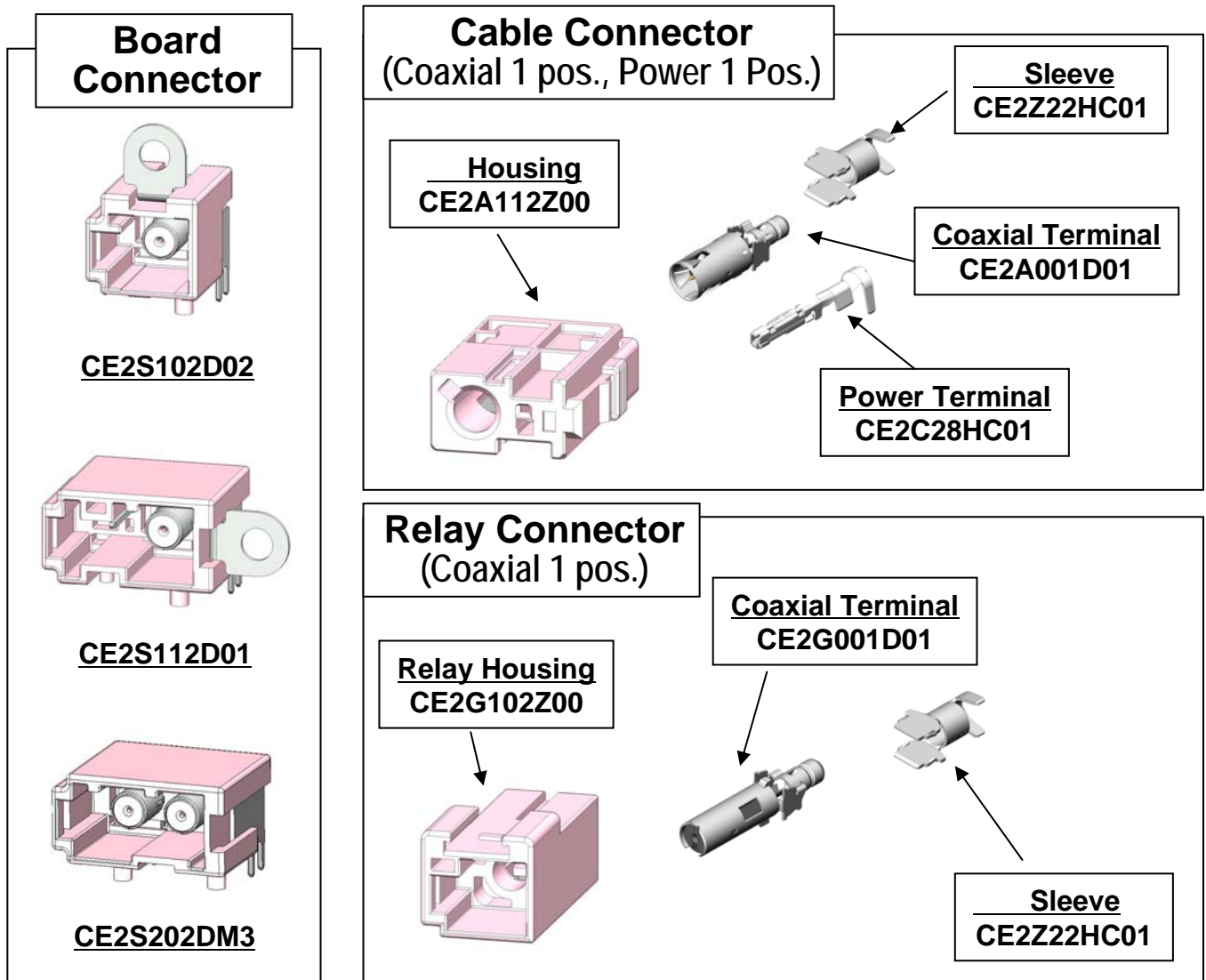
**General Specifications**

- |  |   |
|--|---|
| <ul style="list-style-type: none"> <li>■No. of Contacts:<br/>coaxial 1 pos., coaxial 2 pos.,<br/>coaxial 1 pos.+ power terminal 1 pos.</li> <li>■Applicable Frequency: DC to 1.5GHz</li> <li>■Characteristic Impedance: 50 Ω</li> <li>■VSWR: 1.8 max.</li> </ul> | <ul style="list-style-type: none"> <li>■Insertion Loss: 1.0 dB max.</li> <li>■Dielectric Withstanding Voltage:<br/>AC1000Vr.m.s. (per minute)</li> <li>■Insulation Resistance: 100M Ω min.</li> <li>■Applicable Cable: 1.5DS-QEHV or<br/>1.5D-2V equivalent coaxial wire</li> </ul> |
|--|---|

## Ordering Information (Connector, Housing)



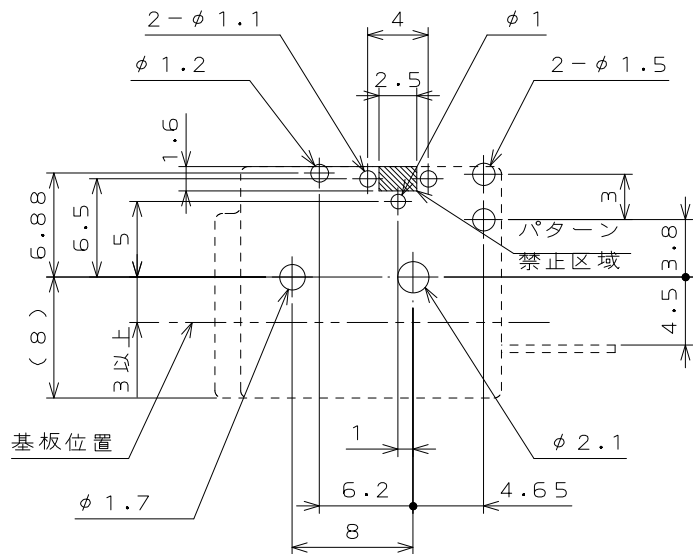
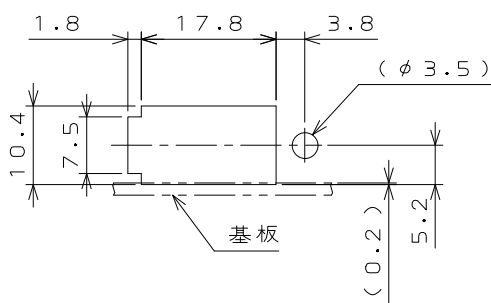
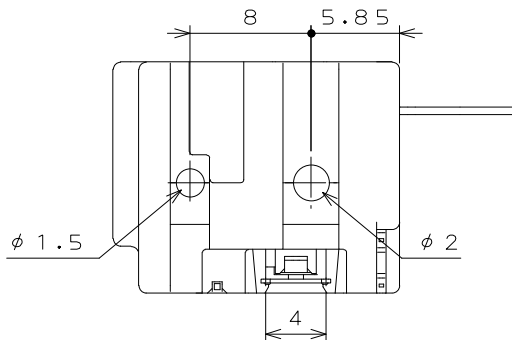
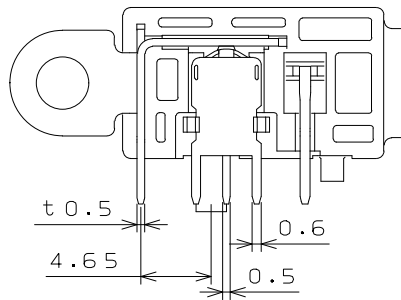
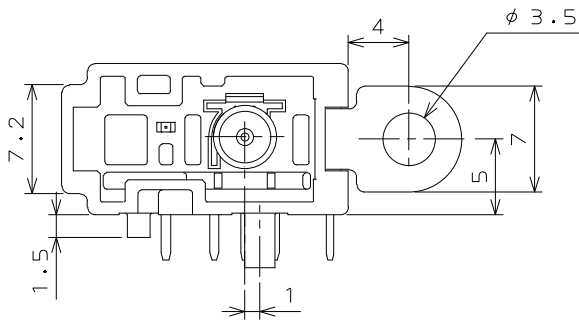
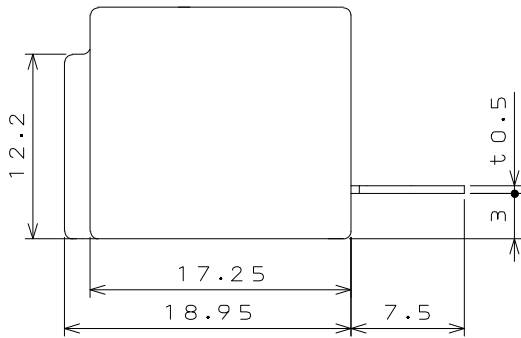
## Connector Configuration



# Board Connector

## ■ CE2S112D01 (Coaxial 1 pos., Power Terminal 1 pos., With Side Bracket)

Component	Material / Finish
Housing	30% GF PBT (Color: Light pink)
Inner Terminal (Coaxial)	Copper alloy / Contact area: Au plating over Ni Solder area: Sn plating over Ni
Outer Terminal (Coaxial)	Copper alloy / Sn plating
Power Terminal	Copper alloy / Sn plating
Bracket	Copper alloy / Sn plating



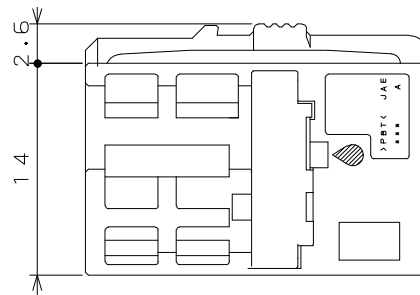
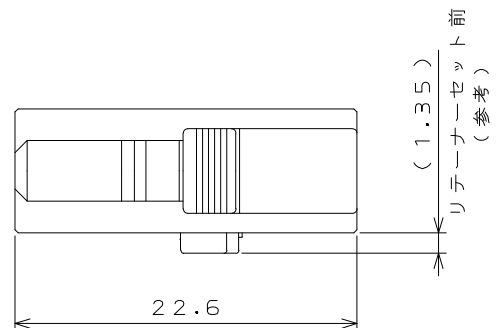
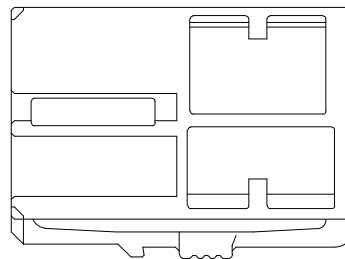
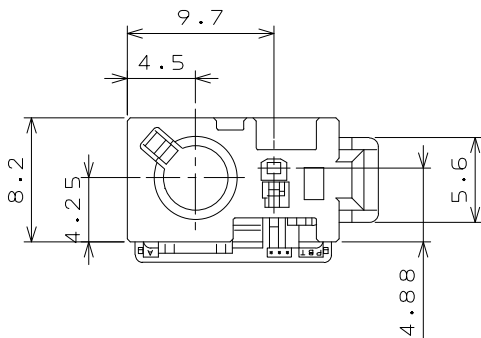
PANEL HOLE PATTERNS (REF.)  
パネル取付穴寸法 (参考)

P.C.B. LAYOUT・MOUNTING SIDE (REF.)  
基板取付穴寸法 (参考・装着面)

# Housing

## ■ CE2A112Z00 (Coaxial 1 pos., Power Terminal 1pos.)

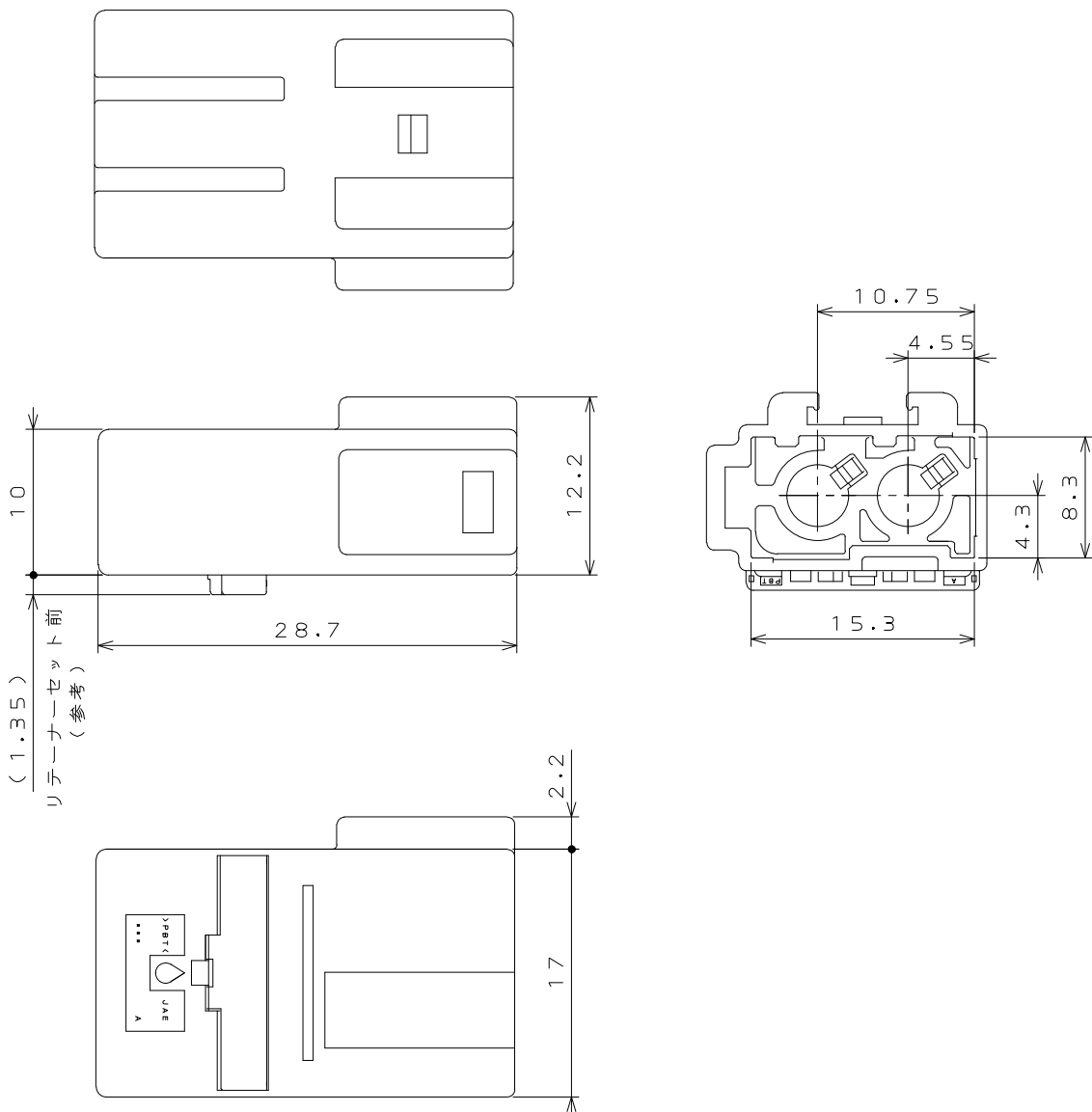
Component	Material / Finish
Housing	PBT (Color: Light pink)
Retainer	PBT (Color: Gray)



# Relay Housing

## ■ CE2G202Z00 (Coaxial 2 pos.)

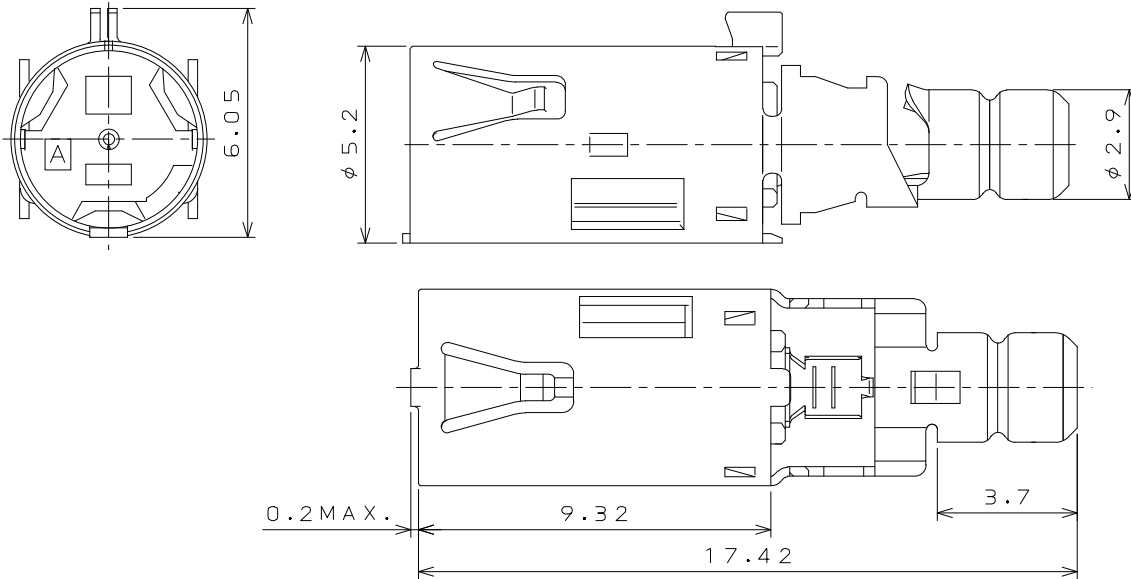
Component	Material / Finish
Housing	PBT (Color: Light pink)
Retainer	PBT (Color: Gray)



# Terminal

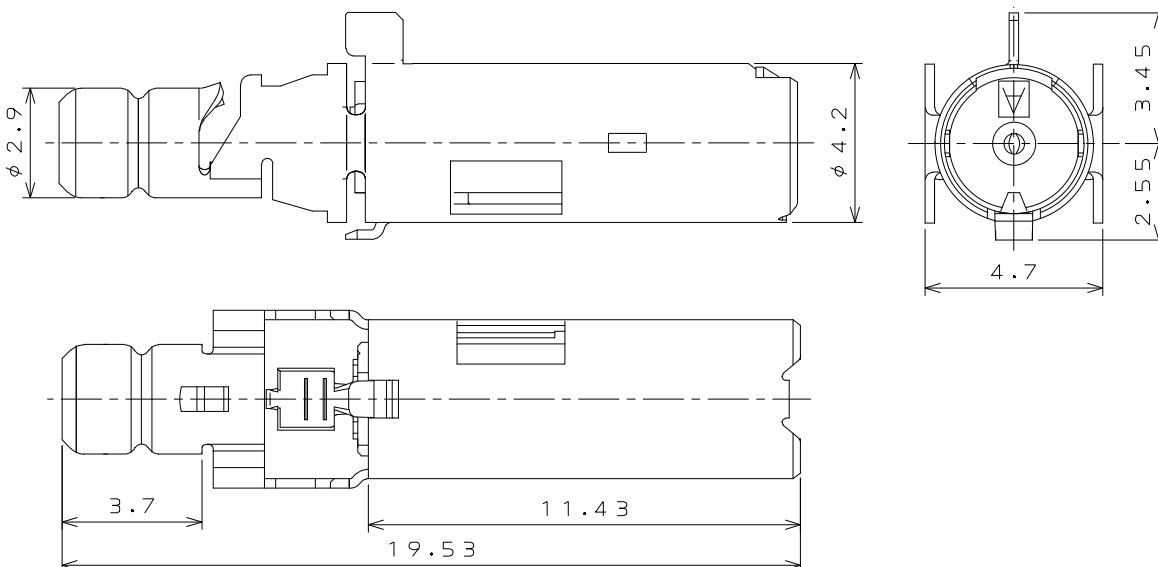
## ■ CE2A001D01 Coaxial Terminal (for Cable)

Component	Material / Finish
Inner Housing	30% GF SPS (Color: Light blue)
Inner Terminal	Copper alloy / Contact area: Au plating over Ni Terminal area: Reflow Sn plating over Ni
Outer Terminal	Copper alloy / Sn plating



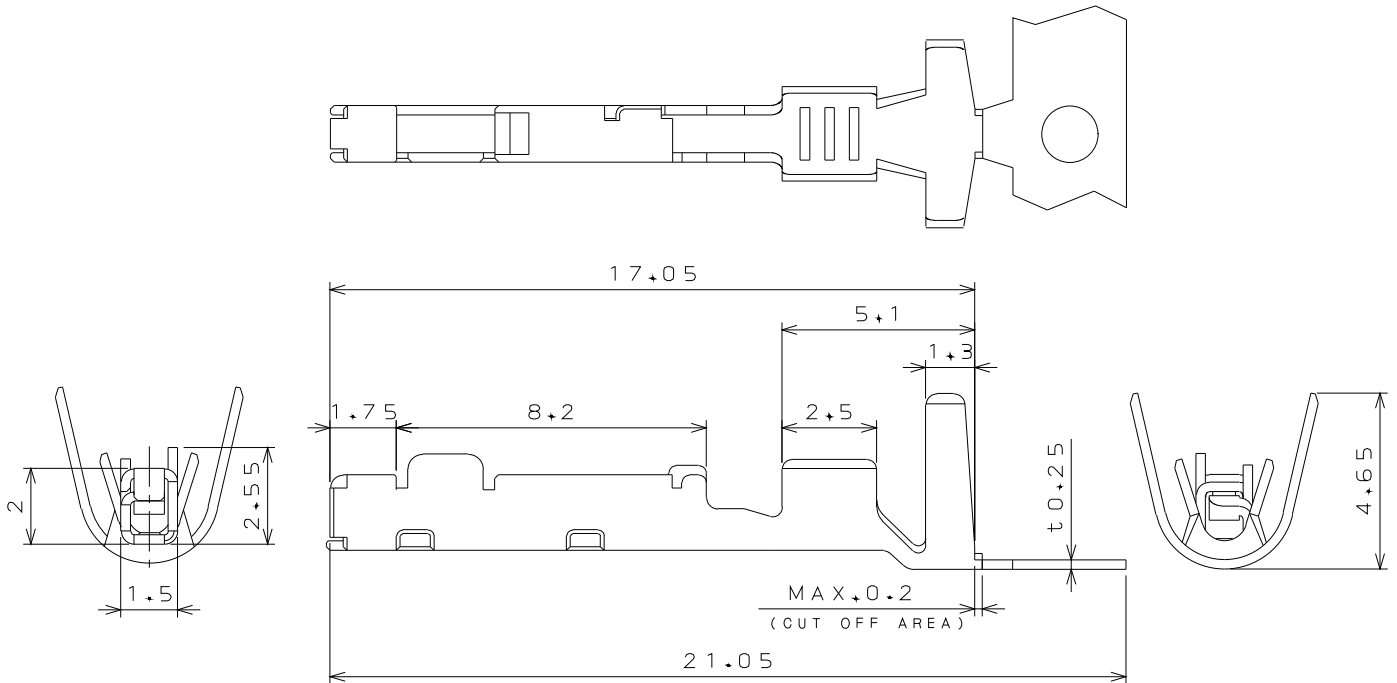
## ■ CE2G001D01 Coaxial Terminal (for Relay)

Component	Material / Finish
Inner Housing	30%GF SPS (Color: Light blue)
Inner Terminal	Copper alloy / Contact area: Au plating over Ni Terminal area: Reflow Sn plating over Ni
Outer Terminal	Copper alloy / Sn plating



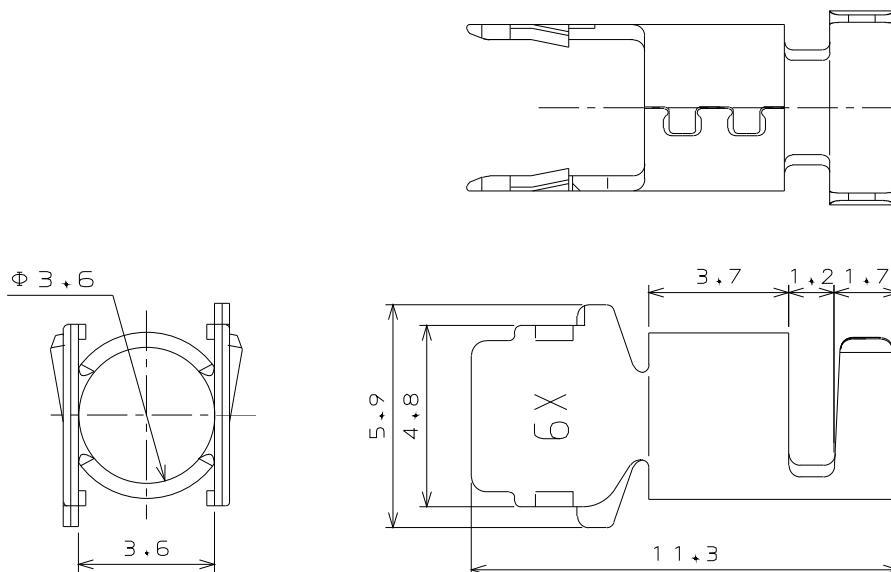
■ CE2C28HC01 Power Terminal (for Cable)

Component	Material / Finish
Power Terminal	Copper alloy / Sn plating



■ CE2Z22HC01 (Sleeve)

Component	Material / Finish
Sleeve	Copper alloy / Sn plating



## Product Line-up

Configuration	Part Number	SJ Drawing	Features
Board Connector	CE2S102D02	SJ111024	Coaxial 1 pos., Bracket (Upward)
	CE2S112D01	SJ111025	Coaxial 1 pos., Power 1 pos., Bracket (Sideway)
	CE2S202DM3	SJ112959	Coaxial 2 pos., Without bracket
Housing	CE2A102Z00	SJ111022	Coaxial 1 pos.
	CE2A112Z00	SJ111023	Coaxial 1 pos., Power 1 pos.
	CE2A202Z00	SJ112958	Coaxial 2 pos.
Relay Housing	CE2G102Z00	SJ113866	Coaxial 1 pos.
	CE2G202Z00	SJ112960	Coaxial 2 pos.
Terminal	CE2A001D01	SJ111021	Coaxial Terminal (for Cable)
	CE2G001D01	SJ112285	Coaxial Terminal (for Relay)
	CE2Z22HC01	SJ107216	Sleeve (for Coaxial Terminal), 2200 pcs. / Reel
	CE2C28HC01	SJ107335	Power Terminal (for Cable), 2800 pcs. / Reel

## Crimp Tool Line-up

Terminal P/N	Applicable Cable	Semi-Automatic Crimp Applicator
CE2A001D01 Coaxial Terminal (for Cable)	1.5DS-QEHV	350-CE2F3-2C
CE2G001D01 Coaxial Terminal (for Relay)	1.5DS-QEHV	350-CE2M3-2C
CE2Z22HC01 (Sleeve)	1.5DS-QEHV	HC-CE2F-2C (for CE2A001D01) HC-CE2M-2C (for CE2G001D01)
CE2C28HC01 Power Terminal (for Cable)	HAV 0.5sq	3502-CE2D-2

## Others

Specification

JACS-20111

Handling Instruction

JAHL-20084-5

### Notice:

- The values specified in this brochure are only for reference. The products and their specifications are subject to change without notice. Contact our sales staff for further information before considering or ordering any of our products. For purchase, a product specification must be agreed upon.
- Please contact us if you are considering use involving a quality assurance program that you specify or that is peculiar to the industry. Also contact us regarding the details of use, usage, specification before considering or ordering any of our products.
- Users are requested to provide protection circuits and redundancy circuits to ensure safety of the equipment, and sufficiently review the suitability of JAE's products to the equipment.

### **Japan Aviation Electronics Industry, Limited**

Product Marketing Division  
Aobadai Building, 3-1-19, Aobadai, Meguro-ku, Tokyo 153-8539  
Phone: +81-3-3780-2882 FAX: +81-3-3780-2946

\* The specifications in this brochure are subject to change without notice. Please contact JAE for information.



## X-ON Electronics

Largest Supplier of Electrical and Electronic Components

*Click to view similar products for [Automotive Connectors](#) category:*

*Click to view products by [JAE](#) manufacturer:*

Other Similar products are found below :

[003-018-000](#) [60403001](#) [60993906-B](#) [M902-2131](#) [M902-2161](#) [72.330.1035.1](#) [73.353.4028.0](#) [F119300-B](#) [F166900](#) [F258300-B](#) [F358300-B](#)  
[F407400](#) [F444110](#) [F487000](#) [F509500B-B](#) [827153-1](#) [8N1515-32-24P](#) [9-1326729-8](#) [925474-1](#) [928905-1](#) [964562-4](#) [968782-1](#) [GT17SA-8DS-](#)  
[HU](#) [98891-1012](#) [98947-1016](#) [12004475-L](#) [12010290](#) [12010309-B](#) [12015454](#) [12020219-B](#) [12020308](#) [12041318-B](#) [12052225-L](#) [12052466](#)  
[12059125](#) [12064869](#) [12004327-B](#) [12010503-B](#) [12015308](#) [12015384](#) [12015909](#) [1-21030-1](#) [12041254](#) [12041318](#) [12047946-B](#) [12047957](#)  
[12047957-L](#) [12059473](#) [12066261](#) [12110546](#)