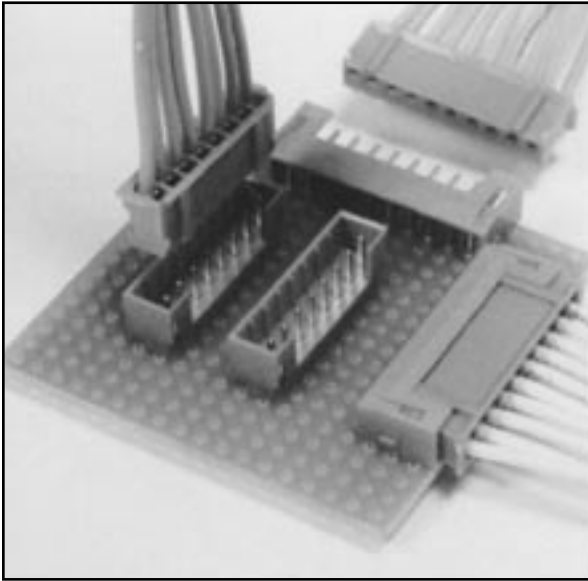


IL-S SERIES CONNECTORS

2.0mm (.079") Contact Spacing, PCB-to-Cable (Crimp Type) Connectors



IL-S Series connectors are low profile connectors with 2.0mm (.079") contact spacing for PCB-to-Cable applications.

High reliable crimp termination socket contacts permit fast and simple semi-automatic termination, resulting in labor and cost savings.

IL-S Series connectors are ideal for use in VTR, television, audio and other consumer electronic products. Additional applications include OA equipment, computers, measuring equipment, telecommunications, and vending machines.

FEATURES

- Box type pin header prevents mismatching
- Highly reliable socket contacts
- Both semi-automatic crimp termination machine and hand crimping tool are available
- Design prevents flux wicking
- Pin headers are available in straight, right angle and bottom through hole types
- Lead free

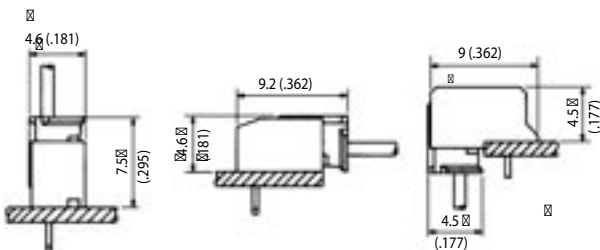
GENERAL SPECIFICATIONS

| | |
|---------------------------------|----------------------------------|
| Number of Contacts | 2 to 15 (Bottom type – 2 to 12) |
| Contact Spacing | 2.0mm (.079"), single row |
| Current Rating | 3 Amp per contact |
| Operating Voltage | 300 VAC, 400 VDC |
| Dielectric Withstanding Voltage | 1000 VAC r.m.s. (for one minute) |
| Insulation Resistance | 100 megohms min. |
| Contact Resistance | 20 milliohms max. |
| Applicable Wire | #24 to #28 AWG, stranded |
| Applicable PCB Thickness | 1.2 to 1.6mm (.047" to .063") |
| Operating Temperature | -40°C to +85°C |

MATERIALS AND FINISHES*

| Description | Materials/Finishes |
|----------------|----------------------------------|
| Insulator | 6-6 Nylon (UL94V-0, Light Brown) |
| Pin Contact | Brass/Tin plating over Nickel |
| Socket Contact | Phosphor Bronze/Tin Plated |

Connector Profile (Ref.)



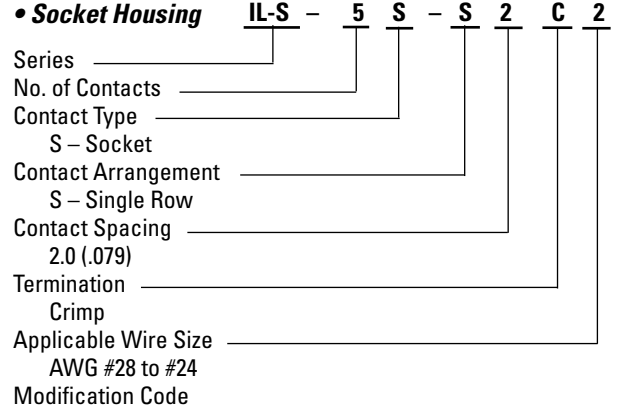
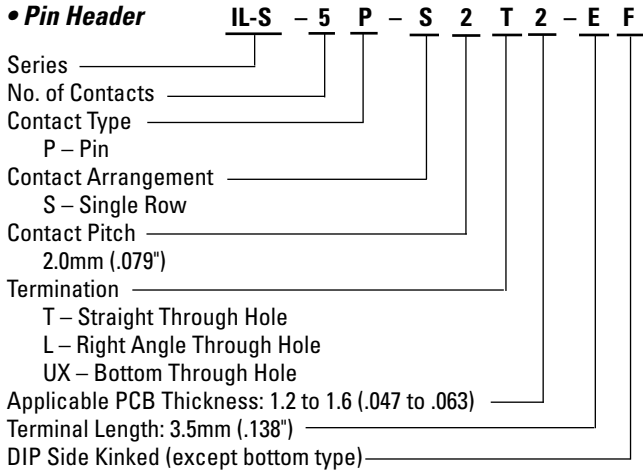
* Please consult JAE for verification of product availability.

Dimensions in mm (inches).

IL-S SERIES CONNECTORS

2.0mm (.079") Contact Spacing, PCB-to-Cable (Crimp Type) Connectors

ORDERING INFORMATION



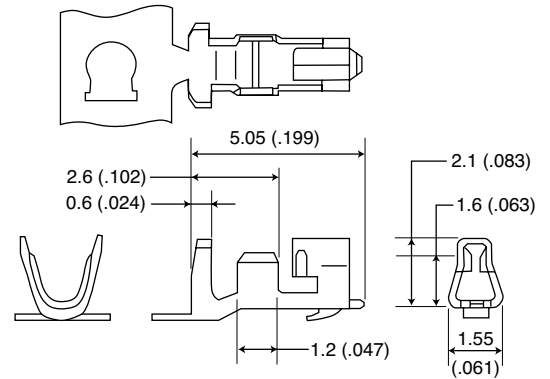
• Socket Contact (Crimp Type)

Part No. : IL-S-C2-10000 (1000 Contacts per reel)

| Applicable Wire (Stranded) | | Hand Crimping Tool |
|----------------------------|--------------------------------|--------------------|
| AWG # | Wire Insulation Outer Dia. | |
| #28 to #26 | ø1.0 to ø1.3mm (.039 to .051") | CT150-2-ILS |
| #26 to #24 | ø1.2 to ø1.6mm (.047 to .063") | CT150-4-ILS |
| #28 to #26 | ø0.7 to ø1.0mm (.028 to .039") | CT150-2-ILSmk2 |
| #26 to #24 | ø0.9 to ø1.2mm (.035 to .047") | |

Semi-Automatic Crimping Machine: 350-ILS-2

Contact Extraction Tool: ET-ILS-N03



• Please consult JAE for verification of product availability.
 Dimensions and specifications subject to change without notice.

X-ON Electronics

Largest Supplier of Electrical and Electronic Components

Click to view similar products for [Crimpers / Crimping Tools](#) category:

Click to view products by [JAE](#) manufacturer:

Other Similar products are found below :

[010-0096](#) [M225202-37](#) [6-1579015-5](#) [CT150-2-D02](#) [M322](#) [6-304052-1](#) [63456-0054](#) [63484-3701](#) [63800-8355](#) [63819-1875](#) [63819-2875](#)
[63819-4475](#) [63823-3475](#) [63827-5375](#) [64001-0975](#) [64001-4175](#) [64005-0175](#) [662903-2](#) [690602-6](#) [7-1579001-9](#) [7-23471-1](#) [762637-1](#) [808714-](#)
[1](#) [811242-5](#) [999-50-020083](#) [1-21002-3](#) [1-21002-7](#) [12085270](#) [1-21002-6](#) [1-21113-6](#) [1-22548-4](#) [125442-1](#) [DCE.91.073.BVC](#)
[DCE.91.090.3MVM](#) [DCE.91.130.5MVU](#) [DCE.91.202.BVCM](#) [1338300-1](#) [1-354003-0](#) [1338301-1](#) [DF62/RE-MD](#) [142321](#) [1456088-1](#)
[1490794-1](#) [1-45804-6](#) [1490357-2](#) [1490357-3](#) [AX100749](#) [1-59619-7](#) [1596970-1](#) [1-59619-8](#)