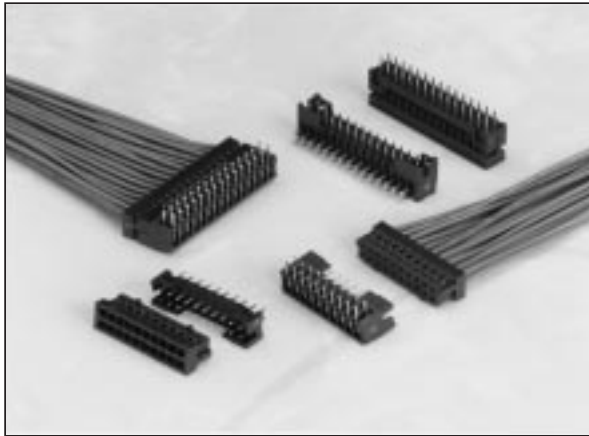


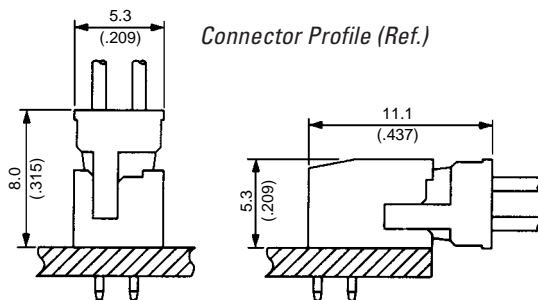
# LY SERIES CONNECTORS

## 2.0mm (.079") Contact Spacing, PCB-to-Cable (Crimp Type) Connectors

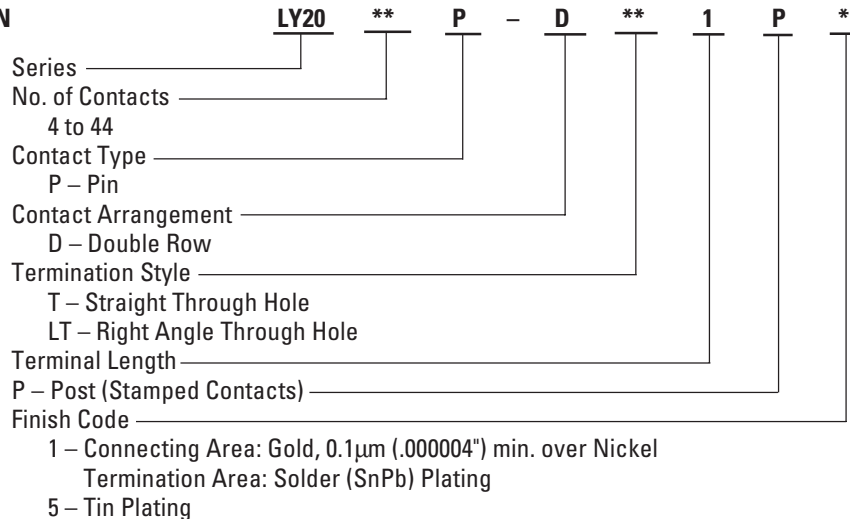


### FEATURES

- Snap latch housing resists shock and vibration
- UL94V-0 rated insulator material
- Dual wipe stamped snap-in socket contacts
- Pin headers are available in straight and right angle PCB mounting configurations
- Both gold and tin plated contacts are available
- Polarized housing prevents mismatching



### ORDERING INFORMATION (PIN HEADER)



LY Series connectors are low profile PCB-to-cable connectors used for PC peripherals. The LY Series connectors have a snap latch mechanism with a box-type housing. A polarizing feature prevents mismatching.

### GENERAL SPECIFICATIONS

Number of Contacts	4 to 44 (Even numbers only)
Contact Spacing	2.0mm (.079") Grid
Current Rating	3 Amps
Operating Voltage	250 VAC r.m.s.
Dielectric Withstanding Voltage	500 VAC r.m.s. (for one minute after test)
Insulation Resistance	100 megohms min. (after test)
Contact Resistance	20 milliohms max. (after test)
Operating Temperature	-40°C to +85°C
Applicable PCB Thickness	1.6mm (.063")
Applicable Wire Size	#22 to #30 AWG (stranded)

### MATERIALS AND FINISHES

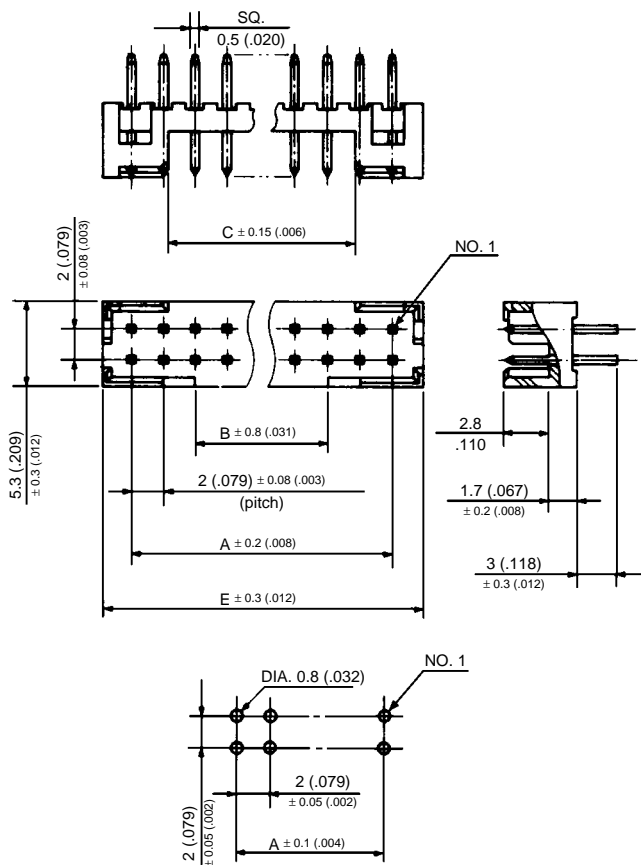
Description	Materials/Finishes
Insulators	Glass-filled 6-6 Nylon (UL94V-0, Brown)
Contacts	Phosphor Bronze Code 1. Connecting Area: Gold, 0.1µm min. (.000004") over Nickel Terminal Area: Solder (SnPb) Plating 5. Tin Plating

Dimensions and specifications subject to change without notice.

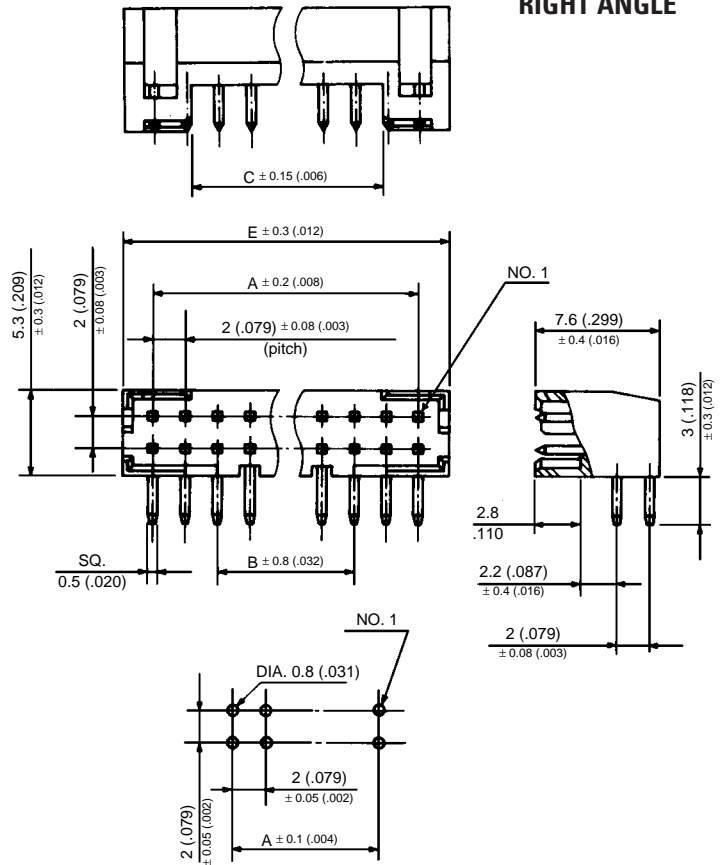
# LY SERIES CONNECTORS

## 2.0mm (.079") Contact Spacing, PCB-to-Cable (Crimp Type) Connectors

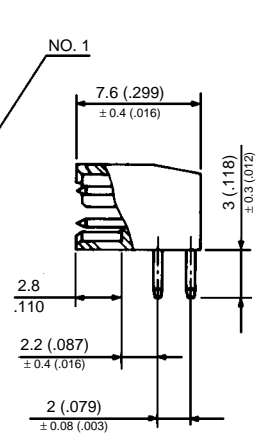
### STRAIGHT



### PIN HEADER LY20



### RIGHT ANGLE



No. of Contacts	Part Number		A	B	C	E
	Straight Pin Header	Right-Angle Pin Header				
4	LY20 -4P-DT1-P*	LY20 -4P-DLT1-P*	2 ( .079)	—	—	5.6 ( .220)
6	LY20 -6P-DT1-P*	LY20 -6P-DLT1-P*	4 ( .157)	—	—	7.6 ( .299)
8	LY20 -8P-DT1-P*	LY20 -8P-DLT1-P*	6 ( .236)	—	1.4 ( .055)	9.6 ( .378)
10	LY20-10P-DT1-P*	LY20-10P-DLT1-P*	8 ( .315)	—	3.4 ( .134)	11.6 ( .457)
12	LY20-12P-DT1-P*	LY20-12P-DLT1-P*	10 ( .394)	2 ( .079)	5.4 ( .212)	13.6 ( .535)
14	LY20-14P-DT1-P*	LY20-14P-DLT1-P*	12 ( .472)	4 ( .157)	7.4 ( .291)	15.6 ( .614)
16	LY20-16P-DT1-P*	LY20-16P-DLT1-P*	14 ( .551)	6 ( .236)	9.4 ( .370)	17.6 ( .693)
18	LY20-18P-DT1-P*	LY20-18P-DLT1-P*	16 ( .630)	8 ( .315)	11.4 ( .449)	19.6 ( .772)
20	LY20-20P-DT1-P*	LY20-20P-DLT1-P*	18 ( .709)	10 ( .394)	13.4 ( .528)	21.6 ( .850)
22	LY20-22P-DT1-P*	LY20-22P-DLT1-P*	20 ( .787)	12 ( .472)	15.4 ( .606)	23.6 ( .929)
24	LY20-24P-DT1-P*	LY20-24P-DLT1-P*	22 ( .866)	14 ( .551)	17.4 ( .685)	25.6 ( 1.008)
26	LY20-26P-DT1-P*	LY20-26P-DLT1-P*	24 ( .945)	16 ( .630)	19.4 ( .764)	27.6 ( 1.087)
28	LY20-28P-DT1-P*	LY20-28P-DLT1-P*	26 ( 1.024)	18 ( .709)	21.4 ( .842)	29.6 ( 1.165)
30	LY20-30P-DT1-P*	LY20-30P-DLT1-P*	28 ( 1.102)	20 ( .787)	23.4 ( .921)	31.6 ( 1.244)
32	LY20-32P-DT1-P*	LY20-32P-DLT1-P*	30 ( 1.181)	22 ( .866)	25.4 ( 1.000)	33.6 ( 1.323)
34	LY20-34P-DT1-P*	LY20-34P-DLT1-P*	32 ( 1.260)	24 ( .945)	27.4 ( 1.079)	35.6 ( 1.402)
36	LY20-36P-DT1-P*	LY20-36P-DLT1-P*	34 ( 1.338)	26 ( 1.024)	29.4 ( 1.157)	37.6 ( 1.480)
38	LY20-38P-DT1-P*	LY20-38P-DLT1-P*	36 ( 1.417)	28 ( 1.102)	31.4 ( 1.236)	39.6 ( 1.559)
40	LY20-40P-DT1-P*	LY20-40P-DLT1-P*	38 ( 1.496)	30 ( 1.181)	33.4 ( 1.315)	41.6 ( 1.638)
42	LY20-42P-DT1-P*	LY20-42P-DLT1-P*	40 ( 1.575)	32 ( 1.260)	35.4 ( 1.394)	43.6 ( 1.716)
44	LY20-44P-DT1-P*	LY20-44P-DLT1-P*	42 ( 1.654)	34 ( 1.338)	37.4 ( 1.472)	45.6 ( 1.795)

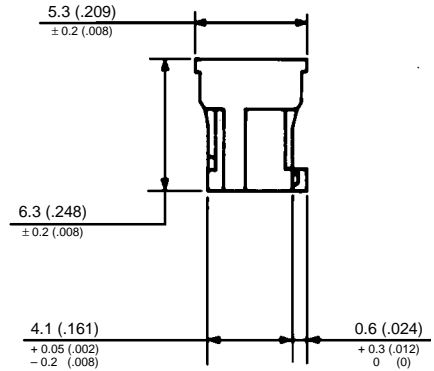
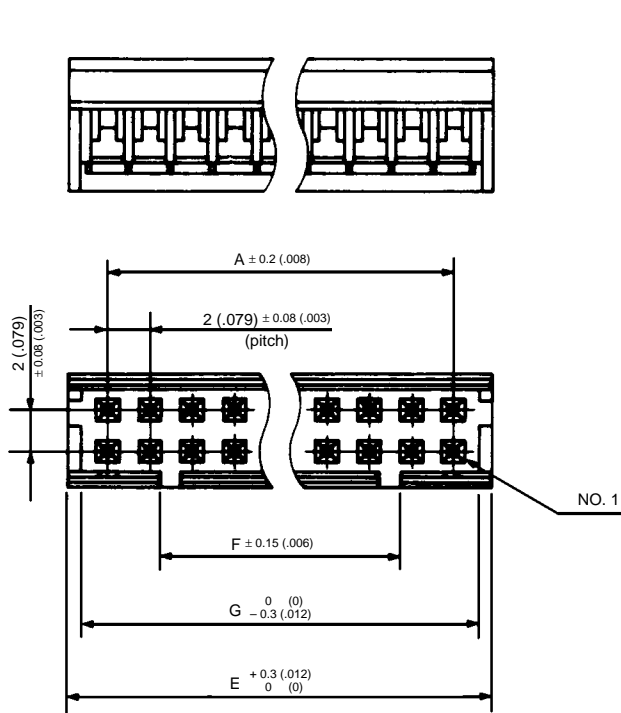
Note: \* Add finish code 1 or 5 (See Materials and Finishes).

Dimensions in mm (inches).

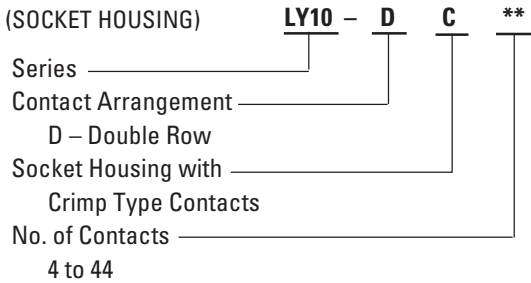
# LY SERIES CONNECTORS

## 2.0mm (.079") Contact Spacing, PCB-to-Cable (Crimp Type) Connectors

### SOCKET HOUSING LY10



#### ORDERING INFORMATION (SOCKET HOUSING)



#### Crimp Tools

Applicable Wire	Hand Tool	Semi-Auto Machine
#22 to #26	CT150-4-LY1	Model CT350-2
#26 to #30	CT150-4-LY2	

#### Socket Contacts (Crimp Type)

Part Number	Applicable Wire (Stranded)	
	AWG No.	Wire insulation outer diameter
LY10-C1-*-10000	#22 to #26	ø0.8 to ø1.3mm
LY10-C2-*-10000	#26 to #30	ø0.7 to ø1.2mm

Note 1: \* Add finish code 1 or 5 (See Materials and Finishes).  
 Note 2: Socket contacts are supplied on 10,000 unit reels.

No. of Contacts	Socket Housing	A	E	F	G
4	LY10-DC 4	2 ( .079)	5.6 ( .220)	—	4.5 ( .177)
6	LY10-DC 6	4 ( .157)	7.6 ( .299)	—	6.5 ( .256)
8	LY10-DC 8	6 ( .236)	9.6 ( .378)	1 ( .039)	8.5 ( .335)
10	LY10-DC 10	8 ( .315)	11.6 ( .457)	3 ( .118)	10.5 ( .413)
12	LY10-DC 12	10 ( .394)	13.6 ( .535)	5 ( .197)	12.5 ( .492)
14	LY10-DC 14	12 ( .472)	15.6 ( .614)	7 ( .276)	14.5 ( .571)
16	LY10-DC 16	14 ( .551)	17.6 ( .693)	9 ( .354)	16.5 ( .650)
18	LY10-DC 18	16 ( .630)	19.6 ( .772)	11 ( .433)	18.5 ( .728)
20	LY10-DC 20	18 ( .709)	21.6 ( .850)	13 ( .512)	20.5 ( .807)
22	LY10-DC 22	20 ( .787)	23.6 ( .929)	15 ( .590)	22.5 ( .886)
24	LY10-DC 24	22 ( .866)	25.6 (1.008)	17 ( .669)	24.5 ( .964)
26	LY10-DC 26	24 ( .945)	27.6 (1.087)	19 ( .748)	26.5 (1.043)
28	LY10-DC 28	26 (1.024)	29.6 (1.165)	21 ( .827)	28.5 (1.122)
30	LY10-DC 30	28 (1.102)	31.6 (1.244)	23 ( .906)	30.5 (1.201)
32	LY10-DC 32	30 (1.181)	33.6 (1.323)	25 ( .984)	32.5 (1.280)
34	LY10-DC 34	32 (1.260)	35.6 (1.402)	27 (1.063)	34.5 (1.358)
36	LY10-DC 36	34 (1.338)	37.6 (1.480)	29 (1.142)	36.5 (1.437)
38	LY10-DC 38	36 (1.417)	39.6 (1.559)	31 (1.220)	38.5 (1.516)
40	LY10-DC 40	38 (1.496)	41.6 (1.638)	33 (1.299)	40.5 (1.594)
42	LY10-DC 42	40 (1.575)	43.6 (1.716)	35 (1.378)	42.5 (1.673)
44	LY10-DC 44	42 (1.654)	45.6 (1.795)	37 (1.457)	44.5 (1.752)

Dimensions in mm (inches).

## X-ON Electronics

Largest Supplier of Electrical and Electronic Components

*Click to view similar products for [Crimpers / Crimping Tools](#) category:*

*Click to view products by [JAE](#) manufacturer:*

Other Similar products are found below :

[010-0096](#) [M225202-37](#) [6-1579015-5](#) [CT150-2-D02](#) [M322](#) [6-304052-1](#) [63456-0054](#) [63484-3701](#) [63800-8355](#) [63819-1875](#) [63819-2875](#)  
[63819-4475](#) [63823-3475](#) [63827-5375](#) [64001-0975](#) [64001-4175](#) [64005-0175](#) [662903-2](#) [690602-6](#) [7-1579001-9](#) [7-23471-1](#) [762637-1](#) [808714-](#)  
[1](#) [811242-5](#) [999-50-020083](#) [1-21002-3](#) [1-21002-7](#) [12085270](#) [1-21002-6](#) [1-21113-6](#) [1-22548-4](#) [125442-1](#) [DCE.91.073.BVC](#)  
[DCE.91.090.3MVM](#) [DCE.91.130.5MVU](#) [DCE.91.202.BVCM](#) [1338300-1](#) [1-354003-0](#) [1338301-1](#) [DF62/RE-MD](#) [142321](#) [1456088-1](#)  
[1490794-1](#) [1-45804-6](#) [1490357-2](#) [1490357-3](#) [AX100749](#) [1-59619-7](#) [1596970-1](#) [1-59619-8](#)