

**NEW**


Connector "A" for IMT-2000 Mobile Phones

CONNECTOR

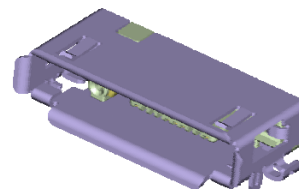
MB-0052-6

July 2006

## RA1 Series

**RoHS Compliant**


(RA1P011FP3)



(RA1R011HA1)

### Outline

The RA1 Series is an integrated connector incorporating signal contacts and a coaxial contact compliant with the requirements for connector "A" for IMT-2000 mobile phones. Connector "A" was standardized for the IMT-2000 interface by the EIAJ.

### Features

- Compliant with EIAJ RC-5238 Connector "A" for IMT-2000 mobile phones. (Integrated connector with 10 signal contacts and 1 coaxial contact.)
- Smaller and lighter than the DH Series, connector for digital mobile phones. (0.5mm signal contact pitch, volume ratio is 1/3 for receptacle, 1/2 for plug (compared to the JAE products.))
- Static electricity countermeasure and EMI shield provided by a metal shell for signal transmission connector.
- Both receptacle and plug use full-cover shells for the mating area, and a mechanism to prevent opening of the shells.
- Compatible with live insertion/ removal (sequence) by providing contacts of different length in receptacle.
- Signal contacts are compatible with high-speed transmission. (Compatible with USB 1.1)
- Coaxial contact in receptacle compatible with operating frequency up to 2.2GHz.
- Embossed tape supply ensuring 6mm x 6mm adhesion area for receptacle is available.

### General Specifications

- |   |  |
|---|--|
| <ul style="list-style-type: none"> <li>■ No. of contacts: 11 (including 1 coaxial.)</li> <li>■ Rated voltage: AC 30Vr.m.s.</li> <li>■ Contact resistance: Initial 50m ohm max.</li> <li>■ Withstand voltage:<br/>Signal contacts: AC 300Vr.m.s. per minute<br/>Coaxial contacts: AC 100Vr.m.s. per minute</li> <li>■ VSWR: Less than 1.5 (Up to 2.2GHz)</li> <li>■ Insertion loss: 0.5dB max. (Up to 2.2GHz)</li> <li>■ Operating temperature &amp; humidity:<br/>-25 to +70 Deg. C , 85% max.</li> </ul> | <ul style="list-style-type: none"> <li>■ Rated current: Less than DC 0.5A<br/>(1.0A for 5 terminals max. ---Note)</li> <li>■ Insulation resistance: 1000M ohm min.<br/>Signal contacts: AC 300Vr.m.s.<br/>Coaxial contacts AC 100Vr.m.s.</li> <li>■ Electrostatic capacity: 2pF max.</li> <li>■ Life time: 10,000 times</li> <li>■ Applicable cable:<br/>Up to AWG #28 for signal contacts<br/>Equivalent to 1.5D for coaxial contact</li> </ul> |
|---|--|

(Note) "5 terminals" indicates terminals 1, 4, 5, 6, and 10

**Materials/Finishes**

■Receptacle

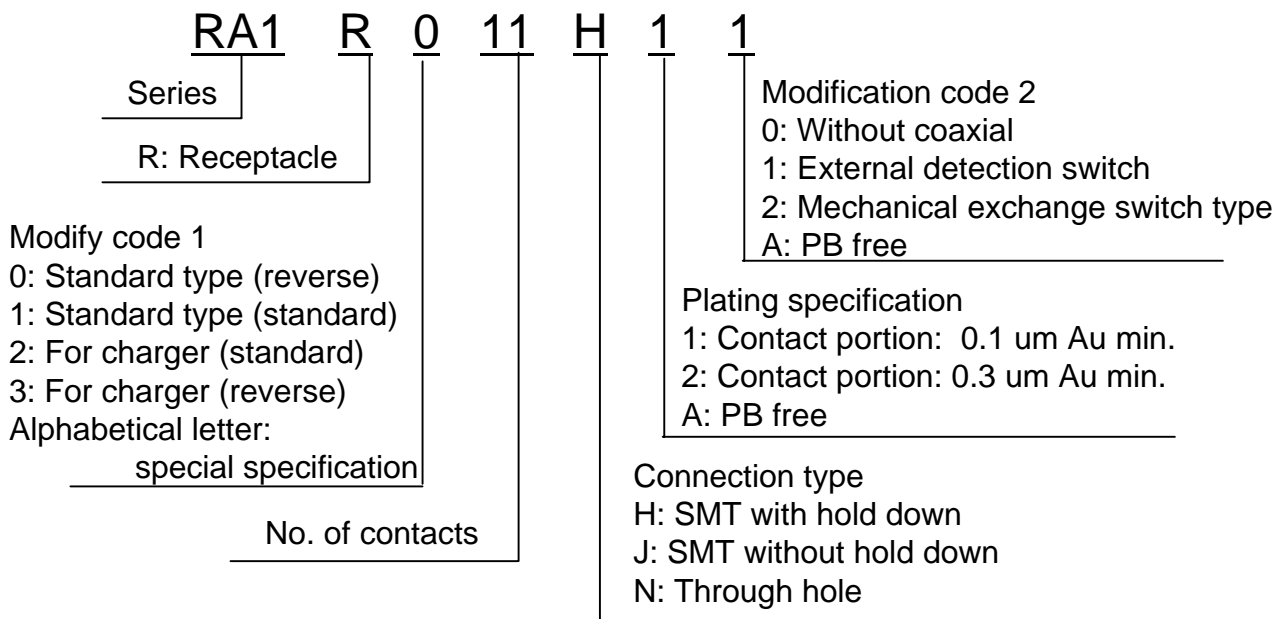
| Components | Materials/Finishes  |
|------------|---|
| Contacts   | Copper alloy /<br>Contact: Au over Ni<br>Terminal portion: Sn plating<br>partially Au plating |
| Insulator  | Glass filled nylon/color : Black<br>PPS/ Color: Black (for charger )                          |
| Shell      | Stainless steel/Sn plating  |

■Plug

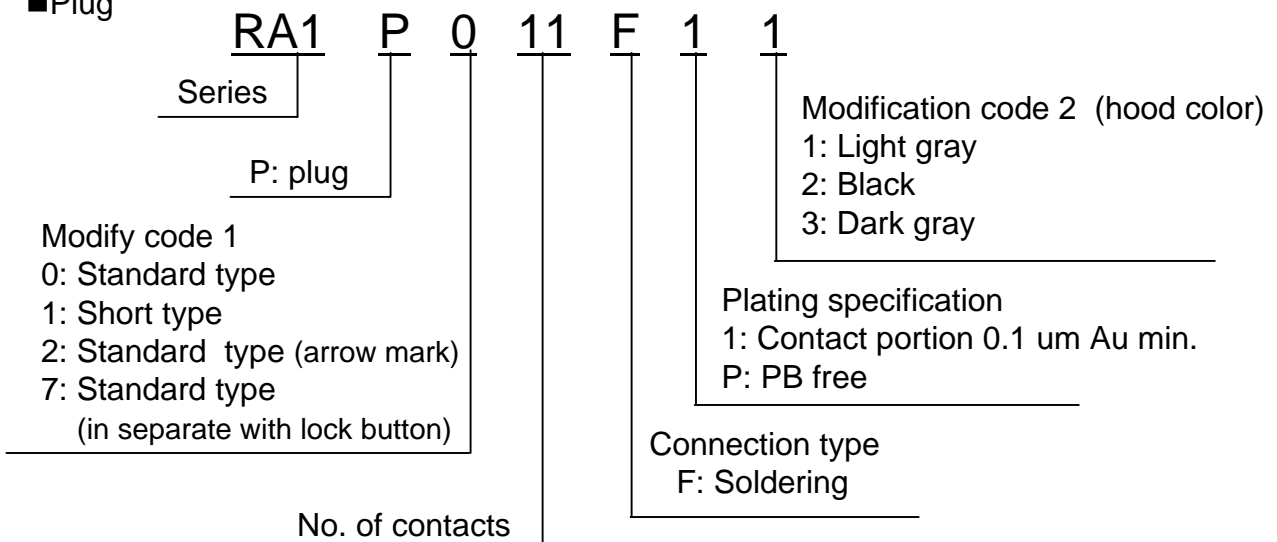
| Components        | Materials/Finishes  |
|-------------------|---|
| Contacts          | Copper alloy /<br>Contact: Au over Ni<br>Terminal portion: Sn plating<br>partially Au plating |
| Insulator         | Glass filled nylon/ Color: Black  |
| Shell             | Stainless steel/ with Ni plating  |
| Hood              | PC/ Color:<br>Light gray or dark gray   |
| Coaxial insulator | PPS/ Color: Black   |
| Tapping screw     | Silver: Steel/ Ni plating<br>Black: Steel/<br>Trivalent chrome plating                        |

**Ordering Information**

■Receptacle

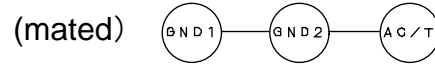
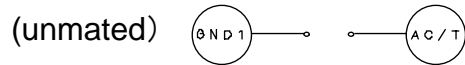
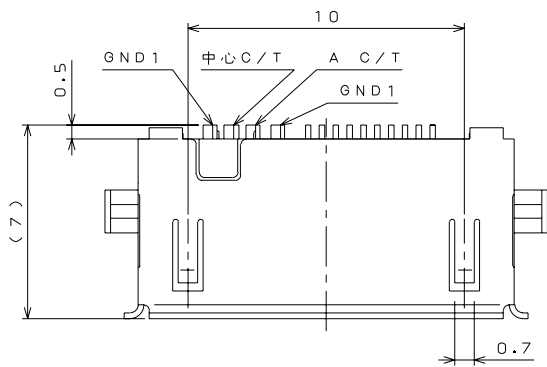


■Plug



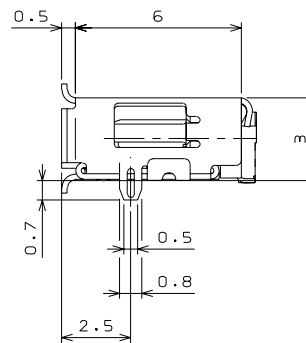
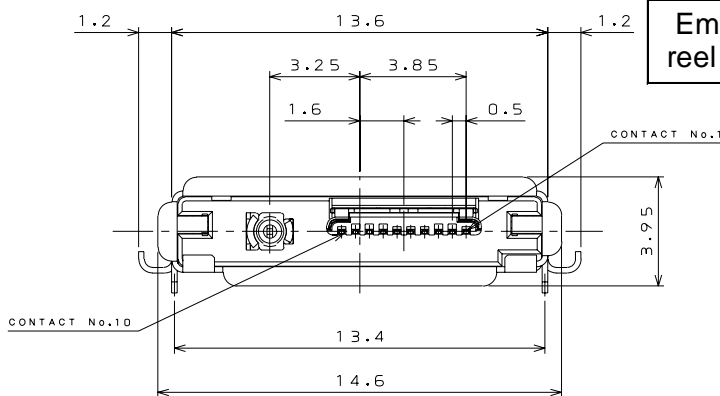
■ Part Number

RA1R011HA1 (Standard receptacle: external detection switch/ bottom mount type)



GND1: Receptacle coaxial external C/T  
 GND2 : Plug coaxial external C/T  
 AC/T : Detection C/T

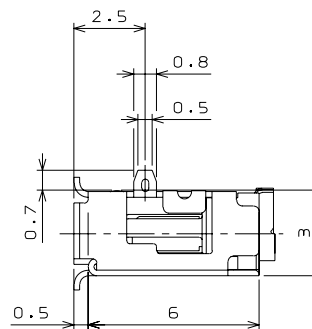
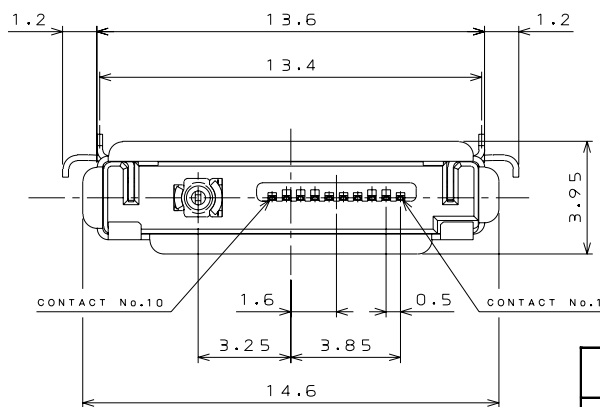
|                       | Part Number     | SJ Drawing |
|-----------------------|-----------------|------------|
| Single item           | RA1R011HA1      | SJ101719   |
| Embossed reel product | RA1R011HA1E1000 | SJ101720   |



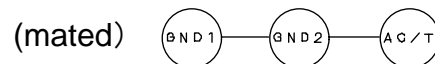
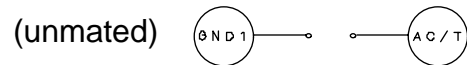
(Unit: mm)

■ Part Number

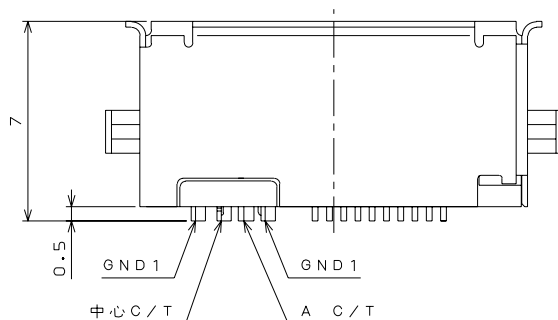
RA1R111HA1 (Standard receptacle: external detection switch/ top-mount type)



|                       | Part Number     | SJ Drawing |
|-----------------------|-----------------|------------|
| Single item           | RA1R111HA1      | SJ101721   |
| Embossed reel product | RA1R111HA1E1000 | SJ101722   |

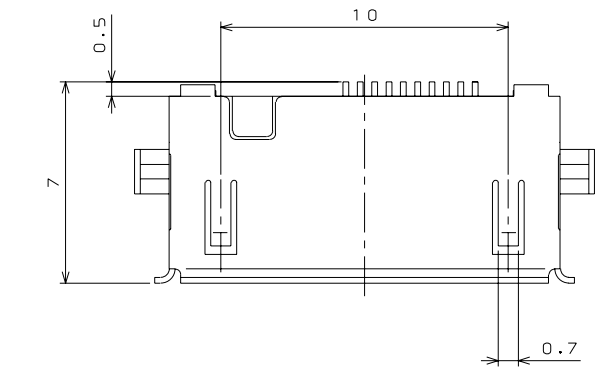


GND1: Receptacle coaxial external C/T  
 GND2 : Plug coaxial external C/T  
 AC/T : Detection C/T

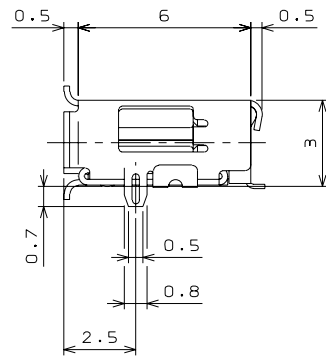
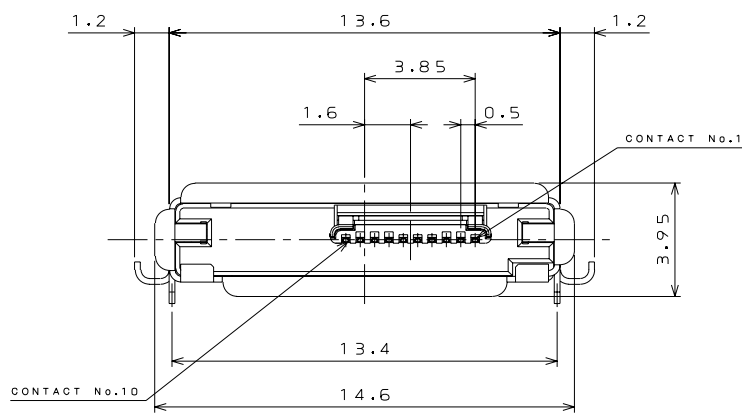


■ Part Number

RA1R010H1A (Receptacle for signal : without coaxial/ bottom mount type)



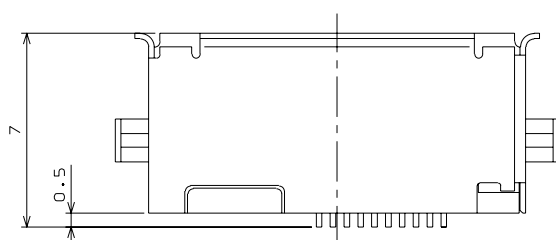
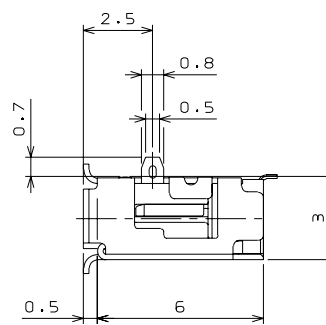
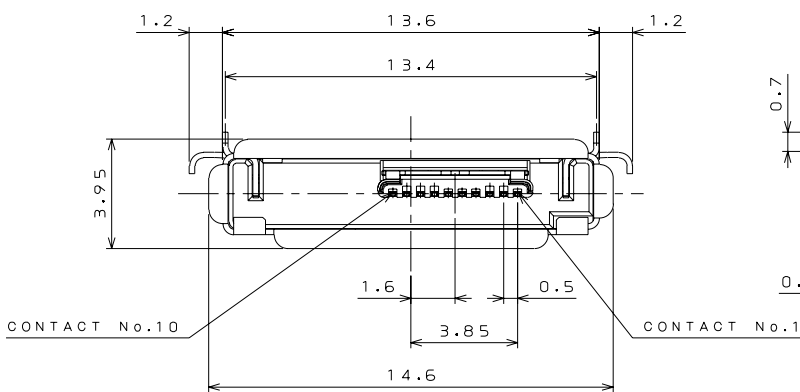
|                       | Part Number     | SJ Drawing |
|-----------------------|-----------------|------------|
| Single item           | RA1R010H1A      | SJ100588   |
| Embossed reel product | RA1R010H1AR1000 | SJ100613   |



(Unit: mm)

■ Part Number

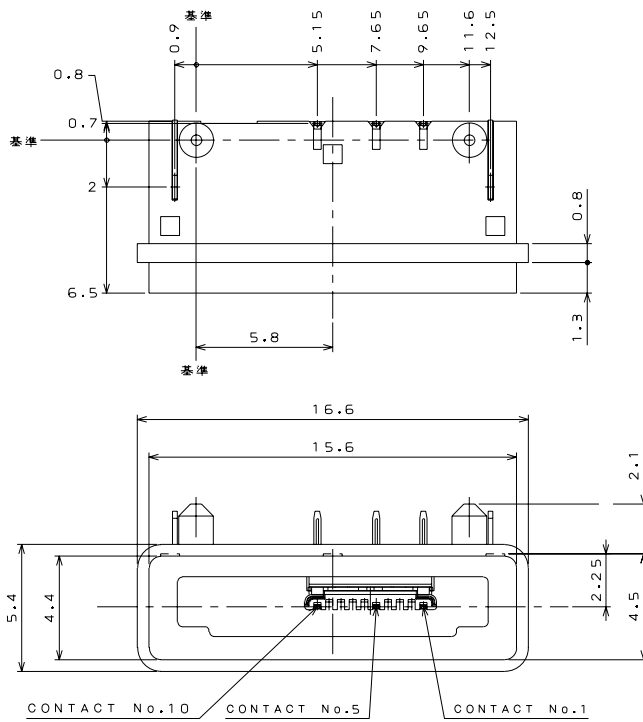
RA1R110HA0 (Receptacle for signal: without coaxial/ top-mount type)



|                       | Part Number     | SJ Drawing |
|-----------------------|-----------------|------------|
| Single item           | RA1R110HA0      | SJ104402   |
| Embossed reel product | RA1R110HA0R1000 | SJ104409   |

■ Part Number

RA1RN03N1A (Receptacle for charger: top-mount through hole type)

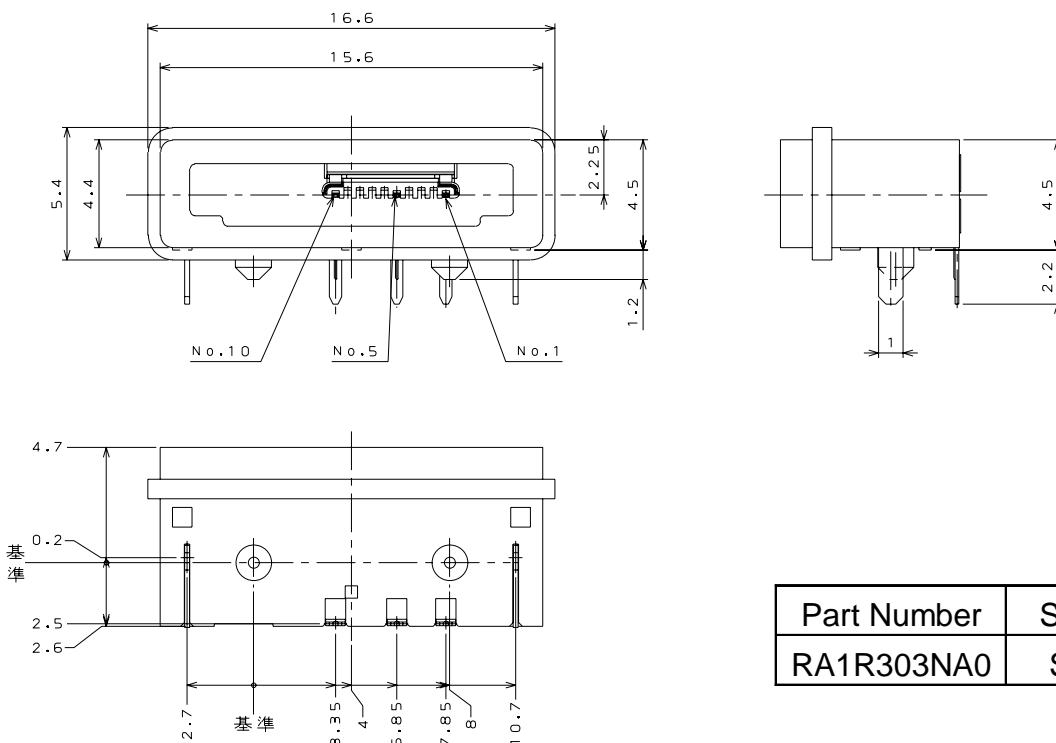


(Unit: mm)

|             |            |
|-------------|------------|
| Part Number | SJ Drawing |
| RA1RN03N1A  | SJ100332   |

■ Part Number

RA1R303NA0 (Receptacle for charger: bottom mount through hole type)



(Unit: mm)

|             |            |
|-------------|------------|
| Part Number | SJ Drawing |
| RA1R303NA0  | SJ102355   |

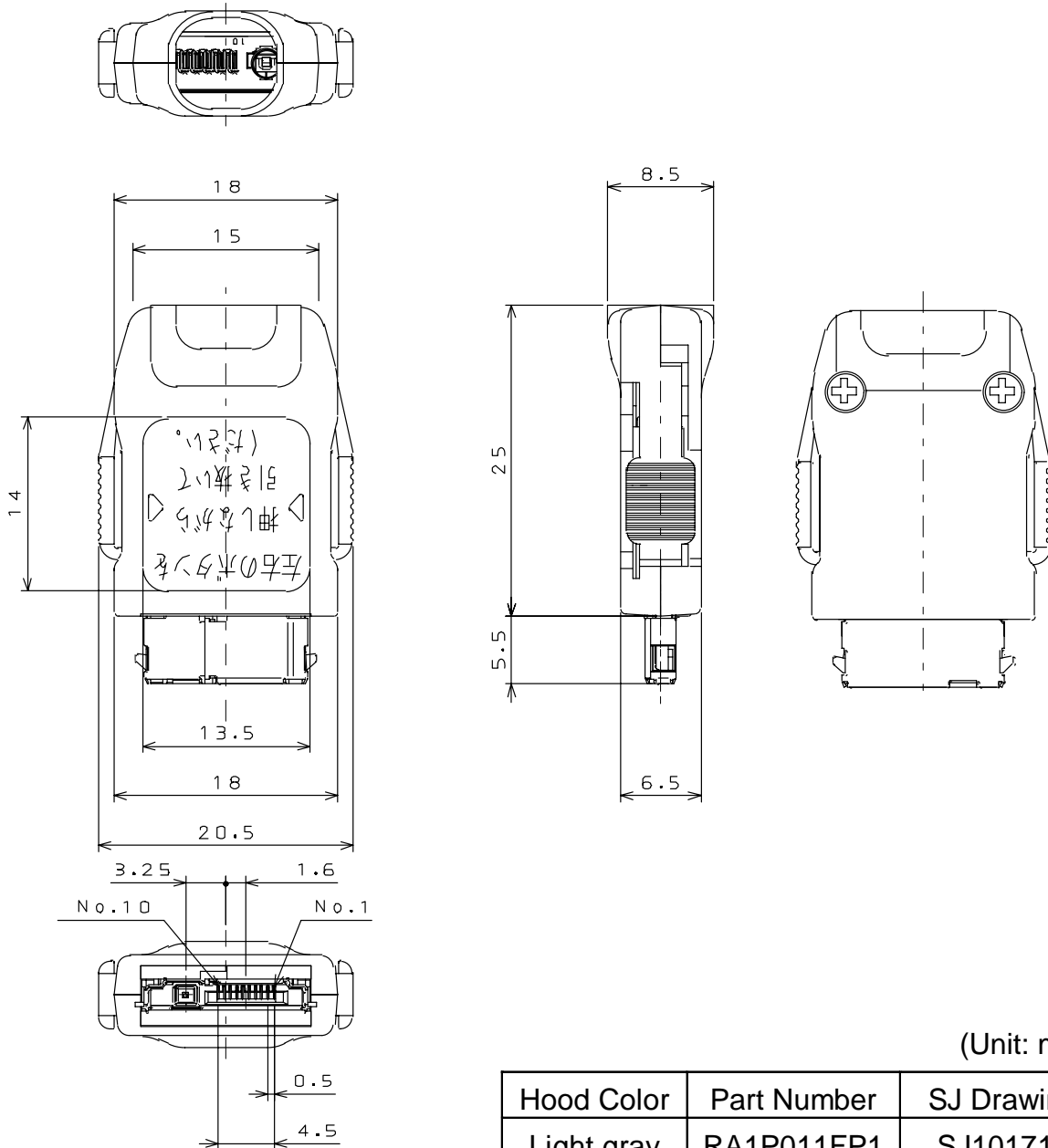
■ Part Number

RA1P011FP\* (Standard plug/ solder connection type)

Applicable wire: AWG#28 max.

Applicable cable diameter: 5.0 mm dia. max.

Coaxial cable: 1.5D equivalent



(Unit: mm)

| Hood Color | Part Number | SJ Drawing |
|------------|-------------|------------|
| Light gray | RA1P011FP1  | SJ101712   |
| Black      | RA1P011FP2  | SJ101713   |

Note: This product does not include bushing and clamp barrel.

Please refer to Handling Instruction JAHL-3228 regarding connection, assembly process, bushing portion design and dimensions.

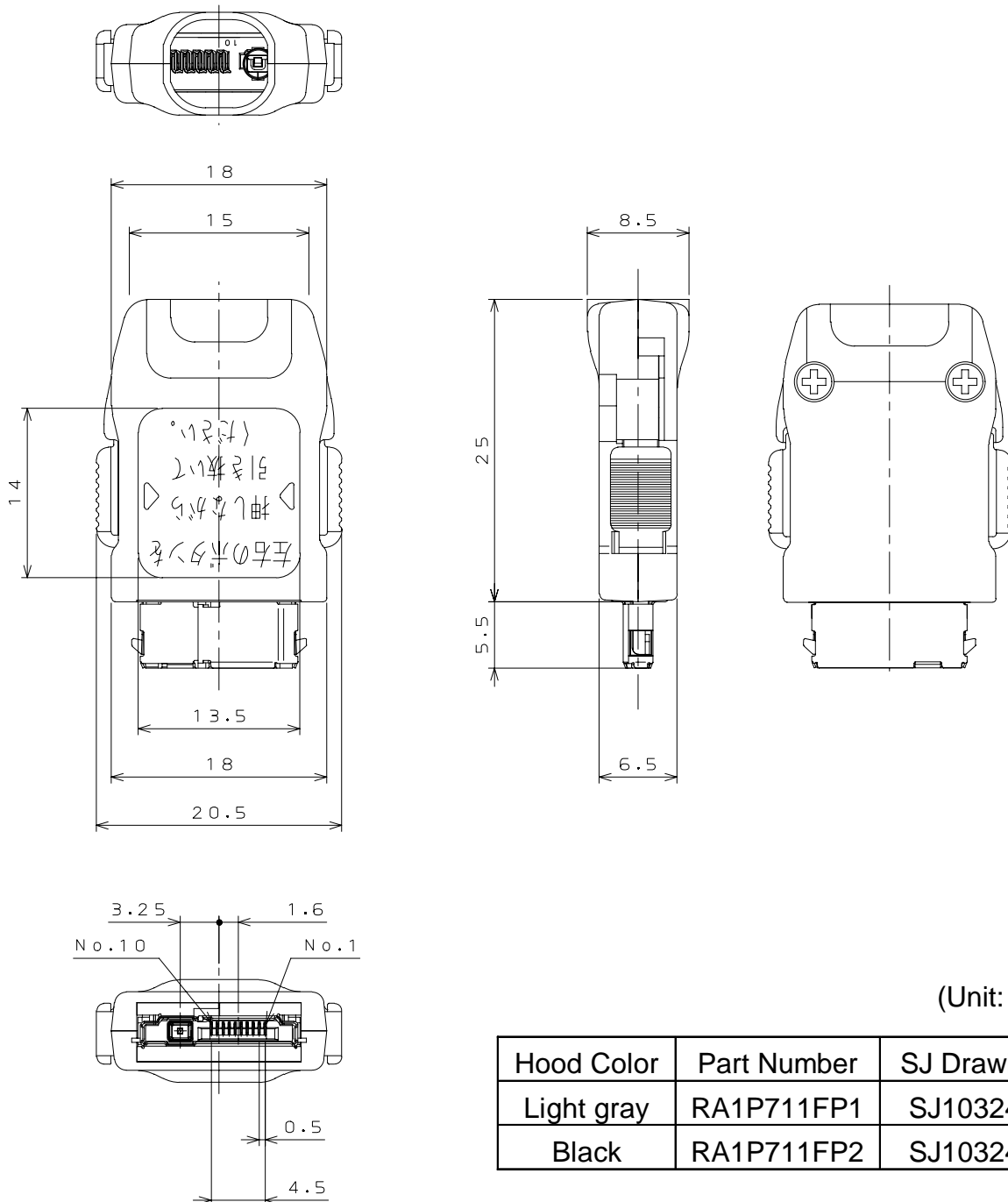
■ Part Number

RA1P711FP\* (Standard plug: in separate with lock button/ soldering connection type)

Applicable wire: AWG#28 max.

Applicable cable diameter: 5.0 mm dia. max.

Coaxial cable: 1.5D equivalent



(Unit: mm)

| Hood Color | Part Number | SJ Drawing |
|------------|-------------|------------|
| Light gray | RA1P711FP1  | SJ103245   |
| Black      | RA1P711FP2  | SJ103246   |

Note: This product does not include bushing and clamp barrel.

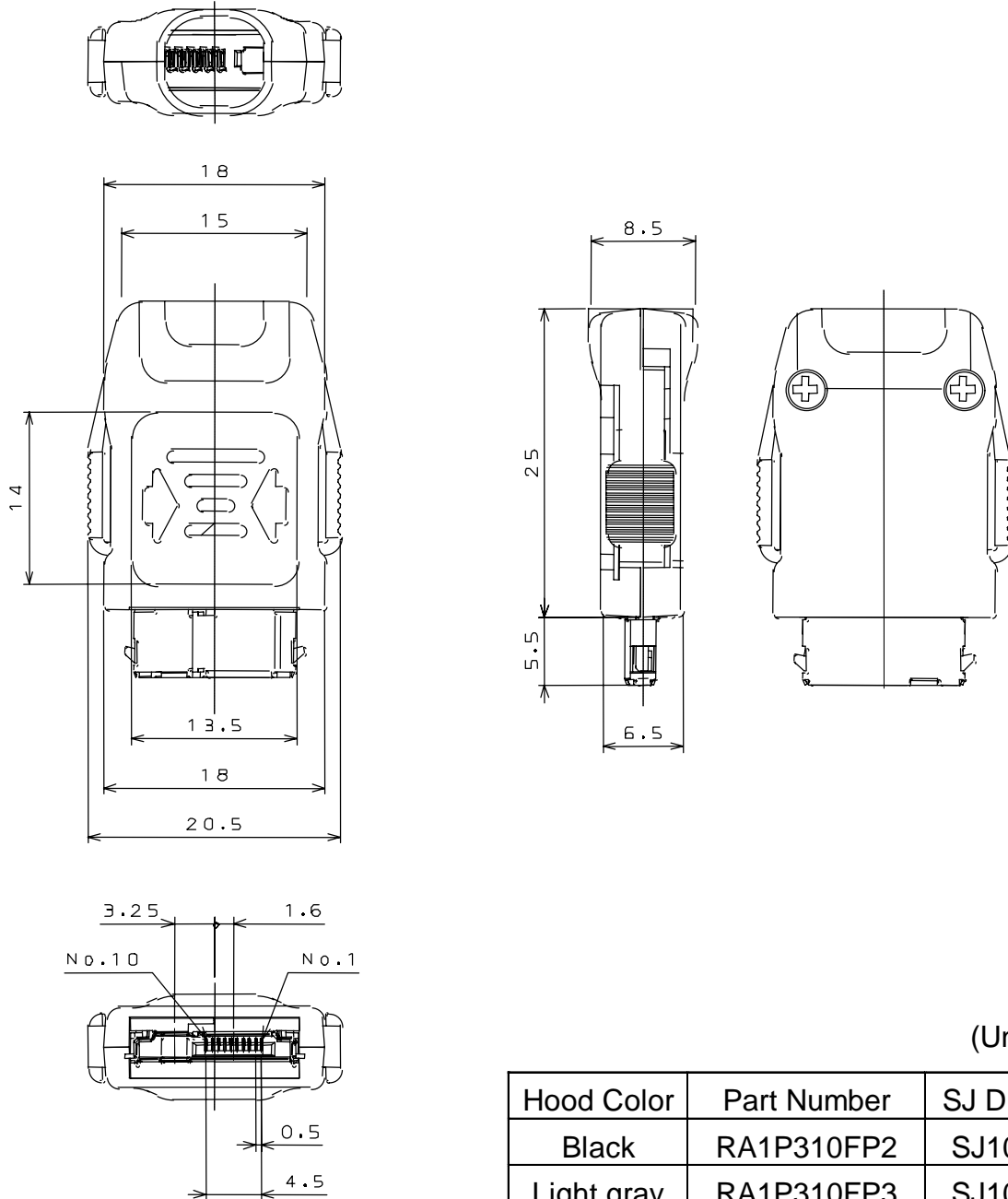
Please refer to Handling Instruction JAHL-3228 regarding connection, assembly process, bushing portion design and dimensions.

■ Part Number

RA1P310FP※ (Standard plug: arrow mark type/ soldering connection type)

Applicable wire: AWG#28 max.

Applicable cable diameter: 5.0 mm dia. max.



(Unit: mm)

| Hood Color | Part Number | SJ Drawing |
|------------|-------------|------------|
| Black      | RA1P310FP2  | SJ100808   |
| Light gray | RA1P310FP3  | SJ101570   |

Note: This product does not include bushing and clamp barrel.

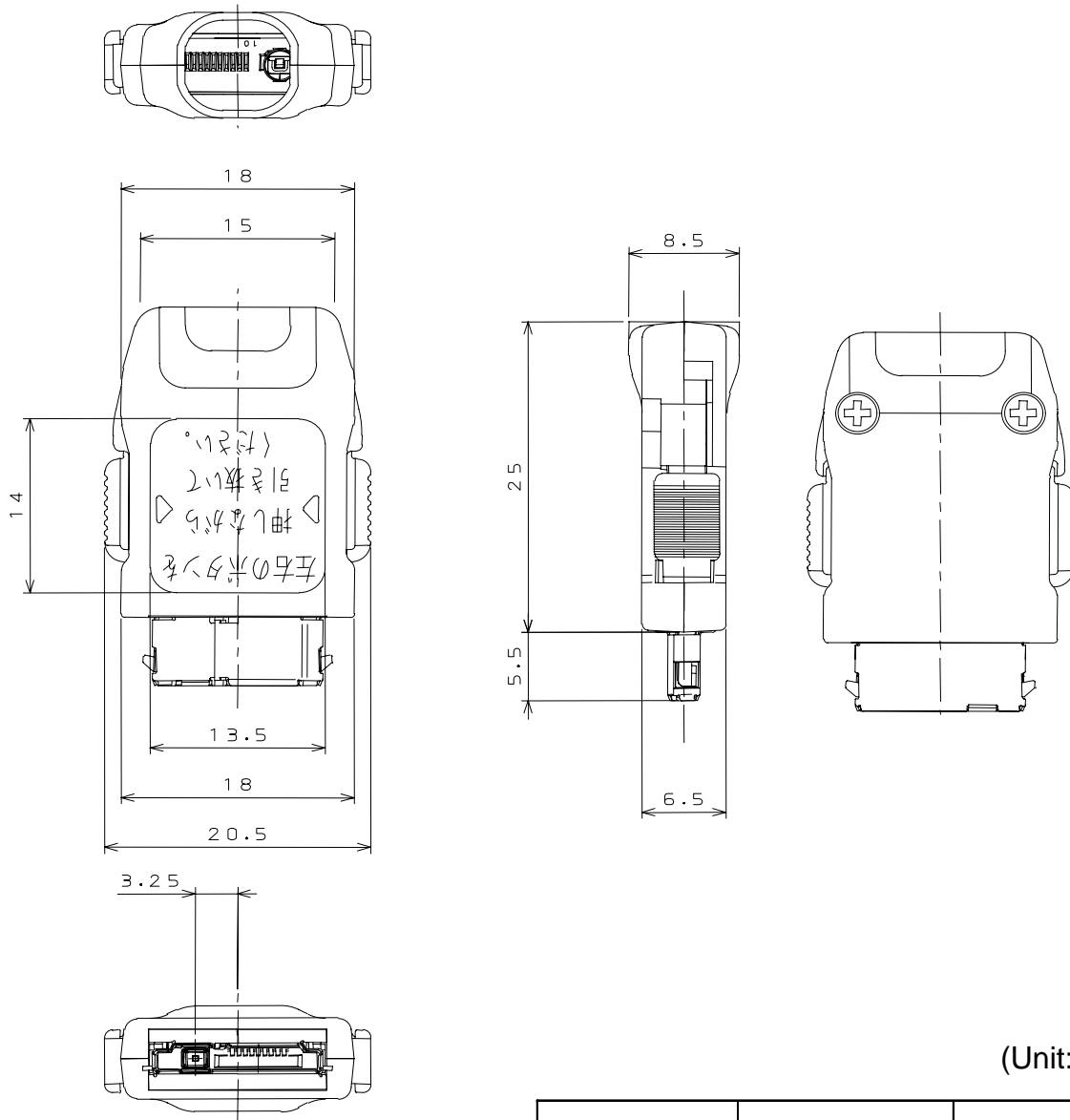
Please refer to Handling Instruction JAHL-3228 regarding connection, assembly process, bushing portion design and dimensions.



■Part Number

RA1P701FP\* (Standard plug: in separate with lock button, single contact coaxial type)

Coaxial cable: 1.5D equivalent



(Unit: mm)

| Hood Color | Part Number | SJ Drawing |
|------------|-------------|------------|
| Light gray | RA1P701FP3  | SJ104524   |

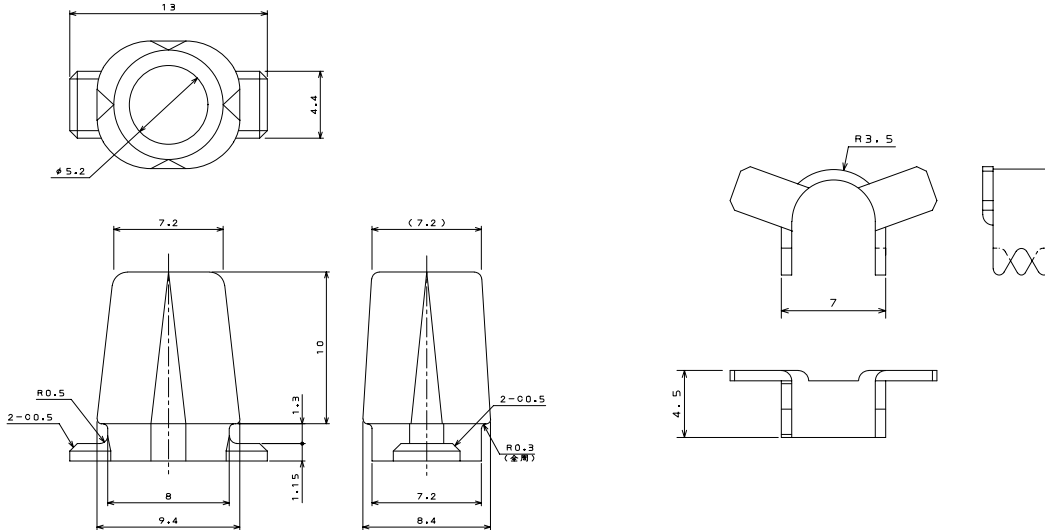
Note: This product does not include bushing and clamp barrel.

Please refer to Handling Instruction JAHL-3228 regarding connection, assembly process, bushing portion design and dimensions.

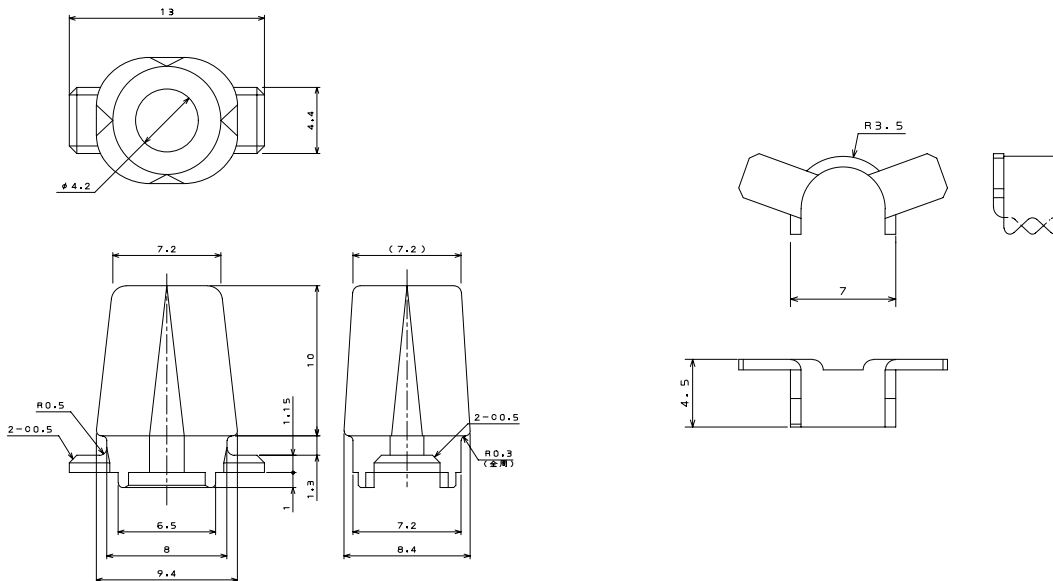
■Part Number

Bushing/ Clamp barrel (for Standard plug)

•for Cable diameter 5mm dia.



•for Cable diameter 4mm dia.



|            | Bushing    |                |            | Applicable clamp barrel | Rivet hand tool for clamp barrel |
|------------|------------|----------------|------------|-------------------------|----------------------------------|
|            | Color      | Part Number    | SJ Drawing |                         |                                  |
| for 5 dia. | Light gray | R012-50612     | SJ035694   | 026-50837               | CT150-6-RH07                     |
|            | Dark gray  | R012-50612-001 | SJ035695   |                         |                                  |
| for 4 dia. | Light gray | R012-50611     | SJ035693   | 026-50843               | CT150-6B-RH07                    |
|            | Black      | R012-50616     | SJ036094   |                         |                                  |

Note: Please refer to below, regarding hand tools and handling instructions.

CT150-6-RH07 --- Handling Instructions: T700116

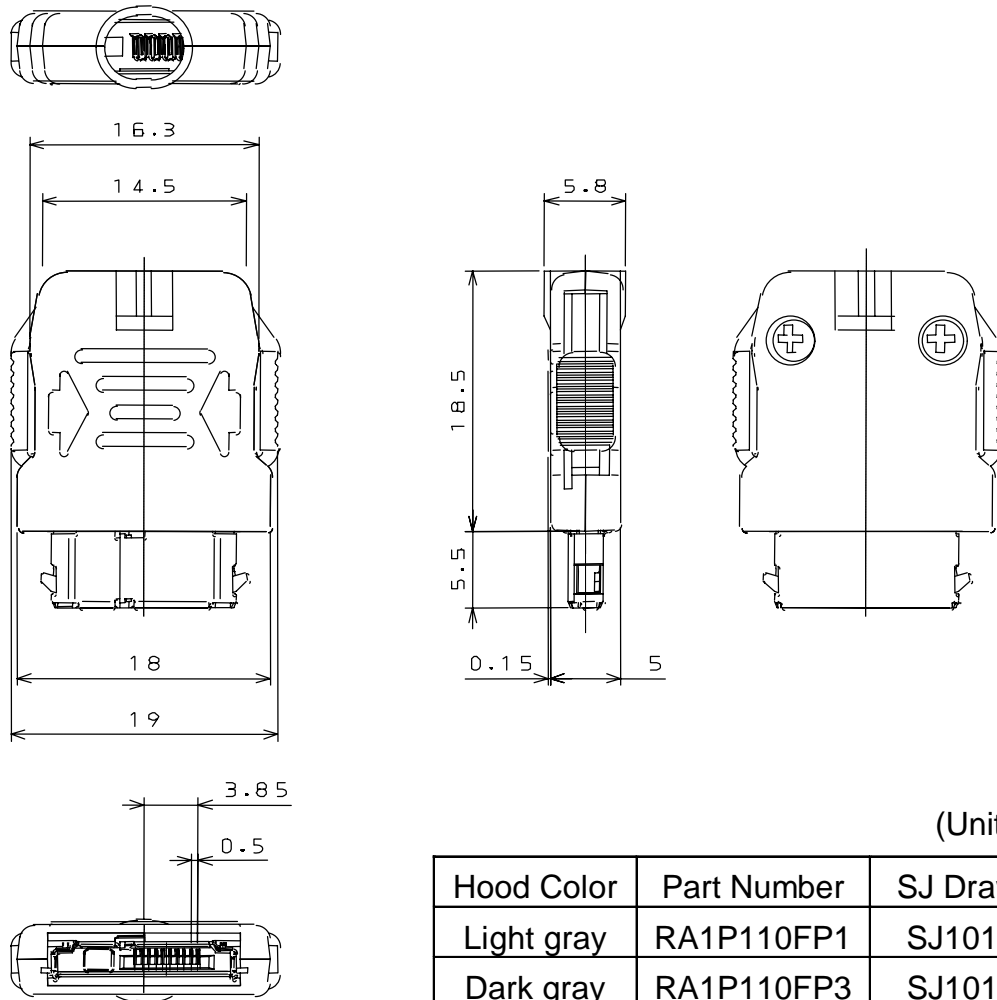
CT150-6B-RH07 --- Handling Instructions: T700160

■ Part Number

RA1P110FP\* (Short plug for data communication/ soldering connection type)

Applicable wire: AWG#28 max.

Applicable cable diameter: 3.6 mm dia. max.



Note: Bushing for this product is cable mold-in type.

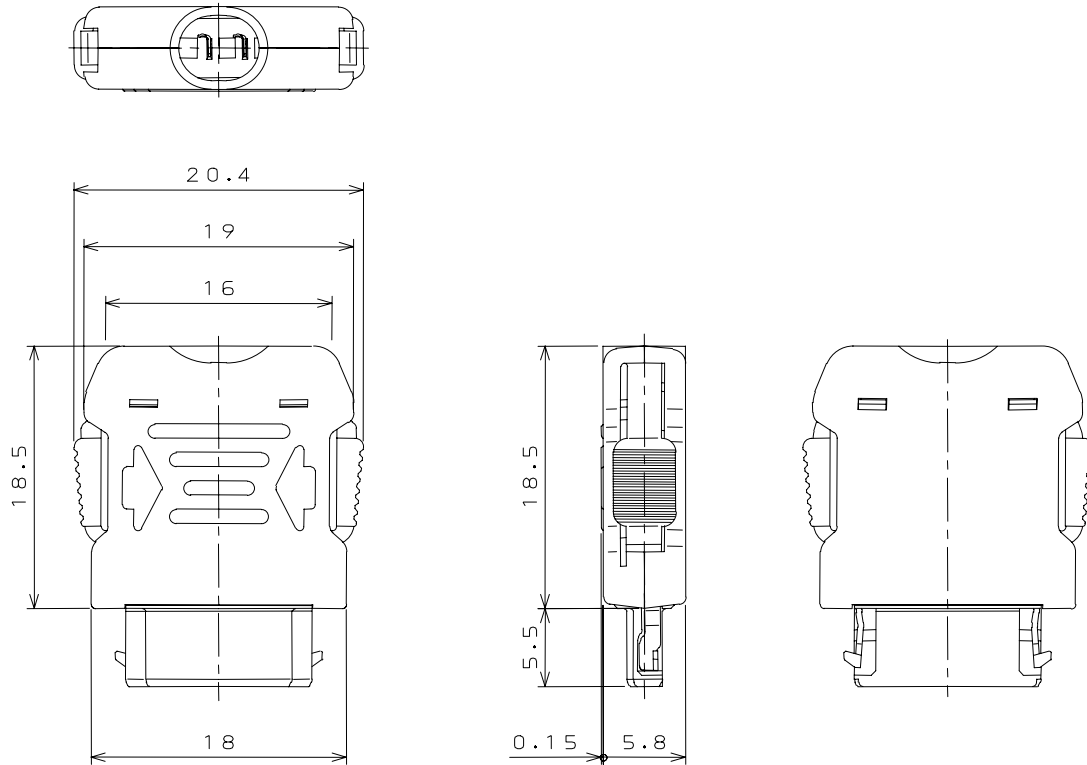
Please refer to Handling Instruction JAHL-3247 regarding connection, assembly process, bushing portion design and dimensions.

■Part Number

RA1P203F1\*-A (3 contact plug for short type charger/ soldering connection type)

Applicable wire: AWG#28 max.

Applicable cable diameter: 3.6 mm dia. max.



(unit: mm)

| Hood Color | Part Number  | SJ Drawing |
|------------|--------------|------------|
| Black      | RA1P203F12-A | SJ104237   |
| Dark gray  | RA1P203F13-A | SJ104235   |

Note: Bushing for this product is cable mold-in type.

Please refer to Handling Instruction JAHL-3281 regarding connection, assembly process, bushing portion design and dimensions.

**Japan Aviation Electronics Industry, Limited**

Product Marketing Division  
 Aobadai Building, 3-1-19, Aobadai, Meguro-ku, Tokyo 153-8539  
 Phone: +81-3-3780-2787 FAX: +81-3-3780-2946

**Notice:** Products shown in this leaflet are made for the applications listed below. However, if the above-mentioned products are to be used in aerospace devices, marine cable-connection devices, atomic power control systems, medical equipment for life-support systems, or any other specific application requiring extremely high reliability, please contact JAE for further information.  
 Recommended applications: computers, office machines, measuring devices, telecommunication devices (terminals, mobile devices), AV devices, household applications, FA devices, etc.

## X-ON Electronics

Largest Supplier of Electrical and Electronic Components

*Click to view similar products for [Crimpers / Crimping Tools](#) category:*

*Click to view products by [JAE](#) manufacturer:*

Other Similar products are found below :

[010-0096](#) [M225202-37](#) [6-1579015-5](#) [CT150-2-D02](#) [M322](#) [6-304052-1](#) [63456-0054](#) [63484-3701](#) [63800-8355](#) [63819-1875](#) [63819-2875](#)  
[63819-4475](#) [63823-3475](#) [63827-5375](#) [64001-0975](#) [64001-4175](#) [64005-0175](#) [662903-2](#) [690602-6](#) [7-1579001-9](#) [7-23471-1](#) [762637-1](#) [808714-](#)  
[1](#) [811242-5](#) [999-50-020083](#) [1-21002-3](#) [1-21002-7](#) [12085270](#) [1-21002-6](#) [1-21113-6](#) [1-22548-4](#) [125442-1](#) [DCE.91.073.BVC](#)  
[DCE.91.090.3MVM](#) [DCE.91.130.5MVU](#) [DCE.91.202.BVCM](#) [1338300-1](#) [1-354003-0](#) [1338301-1](#) [DF62/RE-MD](#) [142321](#) [1456088-1](#)  
[1490794-1](#) [1-45804-6](#) [1490357-2](#) [1490357-3](#) [AX100749](#) [1-59619-7](#) [1596970-1](#) [1-59619-8](#)