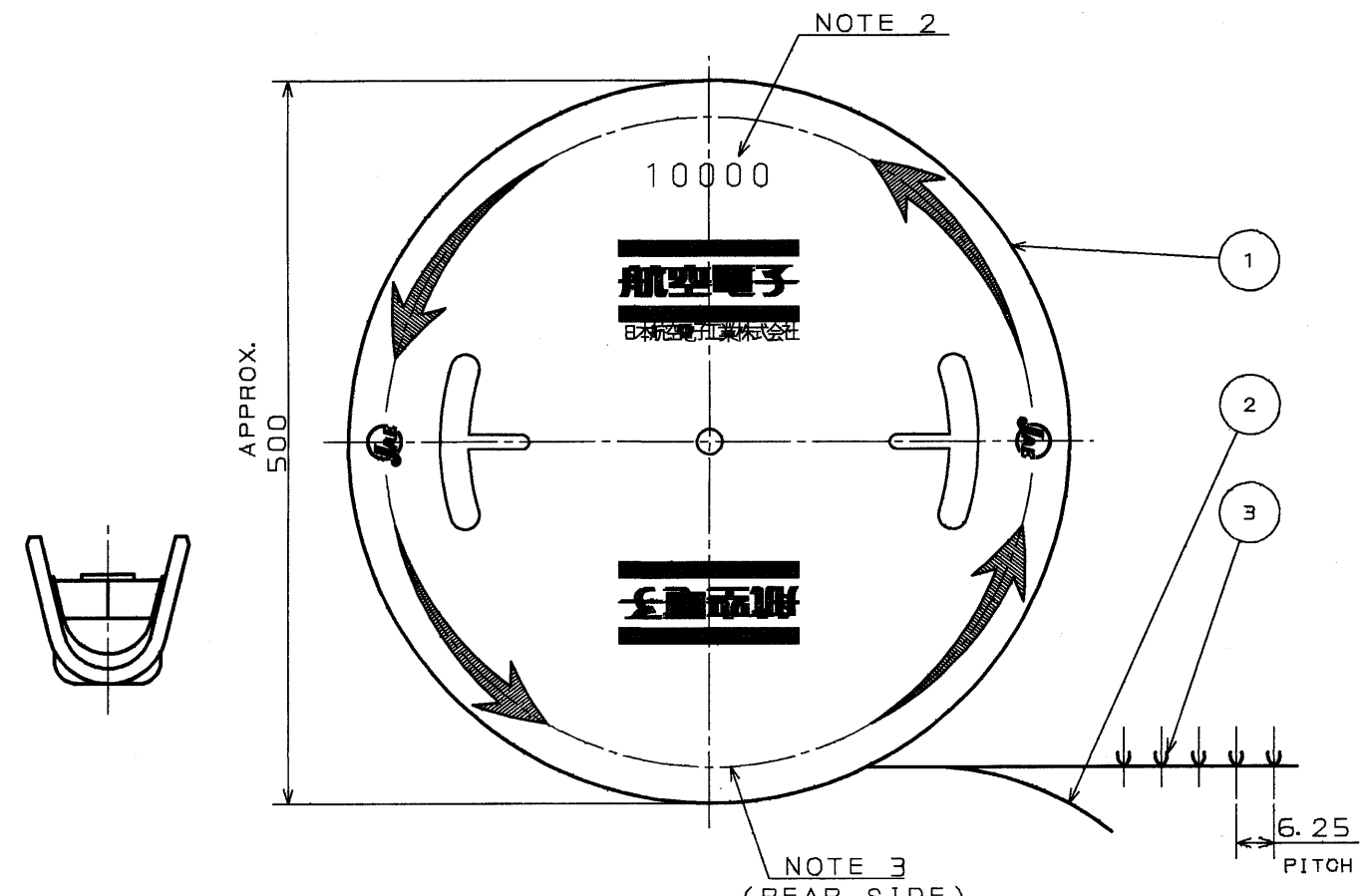
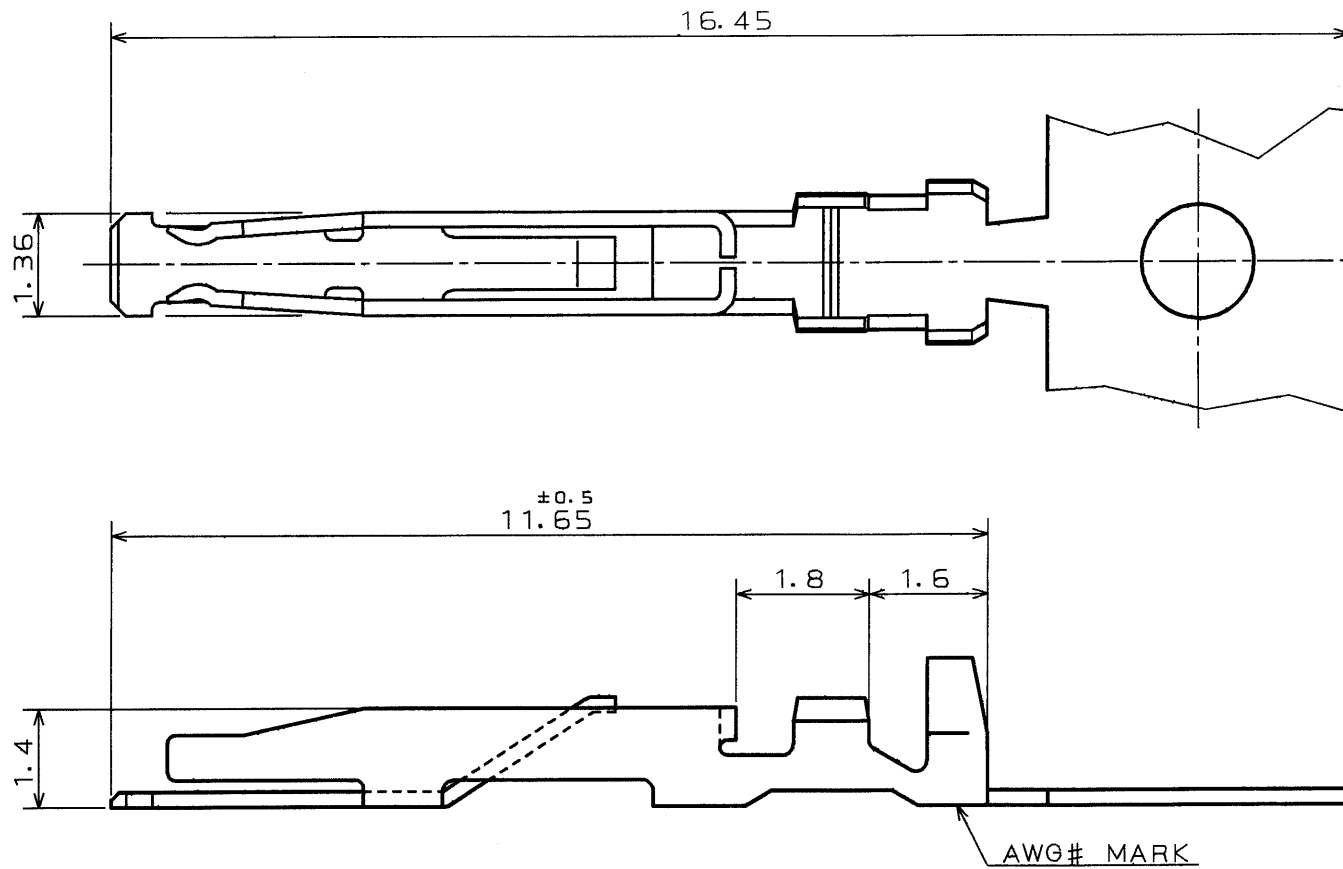


SJ021508-E

DWG. NO.

SYM	DCN NO.	DESCRIPTION	DATE	DRAWN	CHECKED	APP' D	APP' D



DESCRIPTION	APPLICABLE WIRE		AWG# MARK
	WIRE SIZE	OUTER DIA. OF INSUL.	
D02-22-22S-10000	AWG#22~24	1.3 <sup>DIA.</sup> MAX.	22
D02-22-26S-10000	AWG#26~28	1.1 <sup>DIA.</sup> MAX.	26

NOTE 1. CONTACT TO BE SUPPLIED IN REELED FORM.  
 (10,000 CONTACT/REEL)  
 2. NUMBER OF CONTACTS TO BE SHOWN ON THIS PORTION.  
 3. LABEL SHOWING PART NUMBER & Q' TY TO BE PUT ON THIS PORTION.

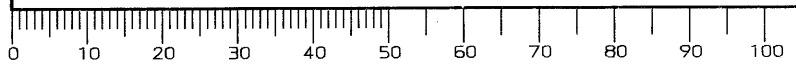
ITEM	DESCRIPTION	Q' TY	MATERIAL	FINISH	REMARKS
3	SOCKET CONTACT	10000	COPPER ALLOY	GOLD OVER NICKEL	
2	PAPER TAPE	1	PAPER		
1	MAGAZINE	1	PAPER		

REFERENCE DOCUMENT JACS-3050-2	DATE 30. OCT. '90	SCALE 10:1	<b>JAE-CONNECTOR ROOM</b> Reference Only  MUSASHINO, AKISHIMA-SHI TOKYO, JAPAN
MATERIAL	DRAWN H. KATO	TITLE D02-22-22S-10000 D02-22-26S-10000	
TREATMENT	CHECKED O. OTSUKA	SERIES D02	
FINISH	APP' D <i>Y. NISHINO</i>	DWG. NO. SJ021508-E	

DIMENSIONS ARE IN MILLIMETERS  
 TOLERANCES ON: (INCHES)

DIMENSION	ANGLES	CONCENTRICITY
. ± 0.3	X° ±	WITHIN T. I. R.
.X ± 0.3	X°X' ±	
.XX ±		
.XXX ±		

DCF-116A



CDS-1201  
SIZE A3

## X-ON Electronics

Largest Supplier of Electrical and Electronic Components

*Click to view similar products for [D-Sub Contacts](#) category:*

*Click to view products by [JAE](#) manufacturer:*

Other Similar products are found below :

[D02-22-26S-10000](#) [8656352067LF](#) [131A15029X](#) [132J22039X](#) [132A11029X](#) [132A11049X](#) [132A12059X](#) [1757912-1](#) [188582-000](#)  
[162A11889X](#) [1757913-1](#) [212558-1](#) [030-1955-000](#) [053744-0098](#) [053744-0099](#) [053745-0105](#) [053745-0111](#) [601098N003](#) [D-610-10CS2962](#)  
[86303057NLF](#) [131A11019X](#) [162A11819X](#) [40-9854MP](#) [1-208778-5](#) [FC120N2](#) [MC7526D/AA](#) [MC8122D/AA](#) [FC4010D-15](#) [FC4006D](#)  
[121A05329A](#) [164C16669X](#) [86566620064LF](#) [131A13019X](#) [DLS3XS5AK40X](#) [09692825723](#) [030-1954-000](#) [L17DM53744207](#)  
[L17RRD1M11400](#) [030-1952-000](#) [030-1953-000](#) [030-1953-030](#) [132C11039X](#) [132J15019X](#) [132C15019X](#) [132A10039X](#) [131A10029X](#)  
[8638PSC2006LF](#) [8656453067LF](#) [86566520064LF](#) [L17DM537441](#)