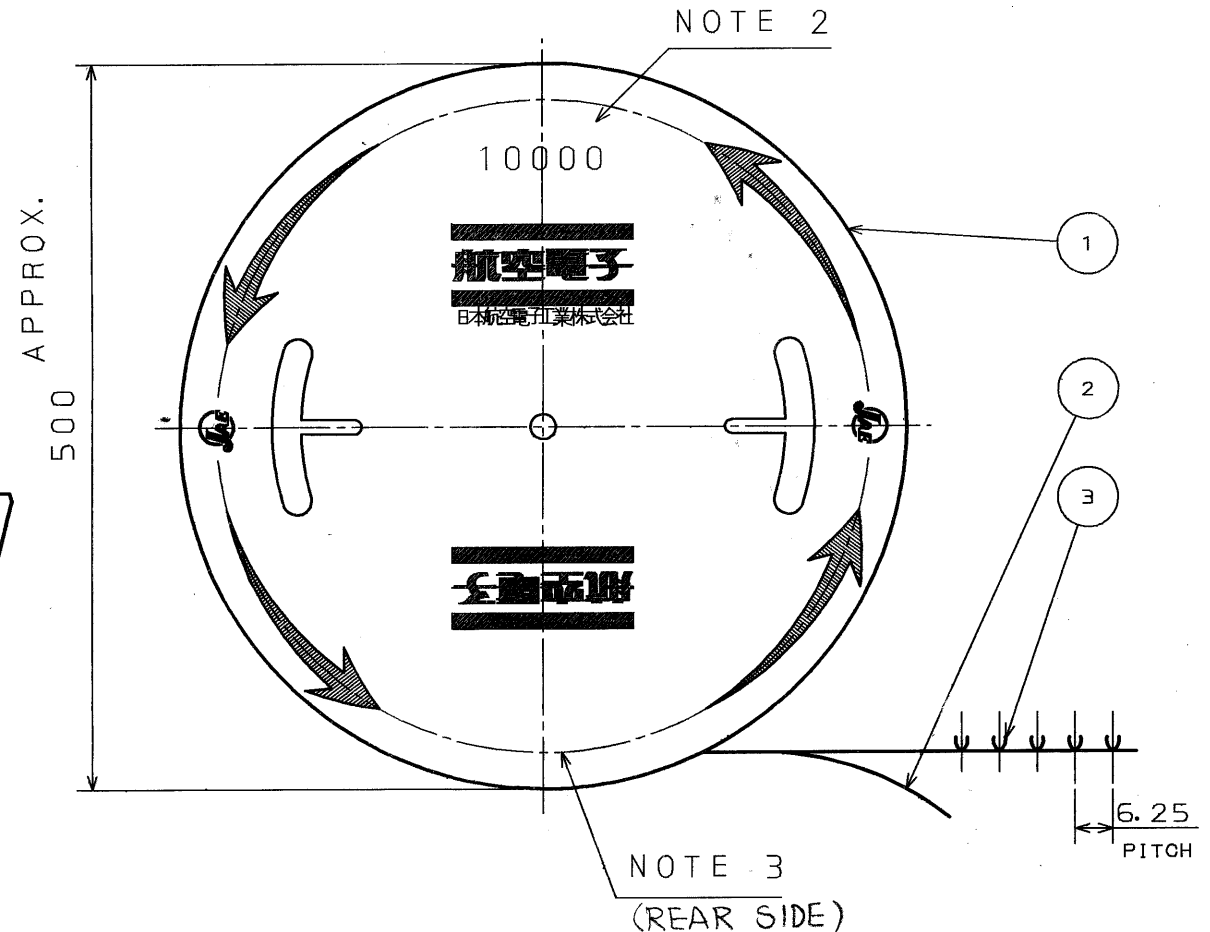
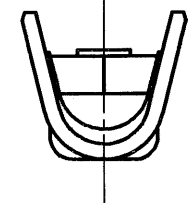
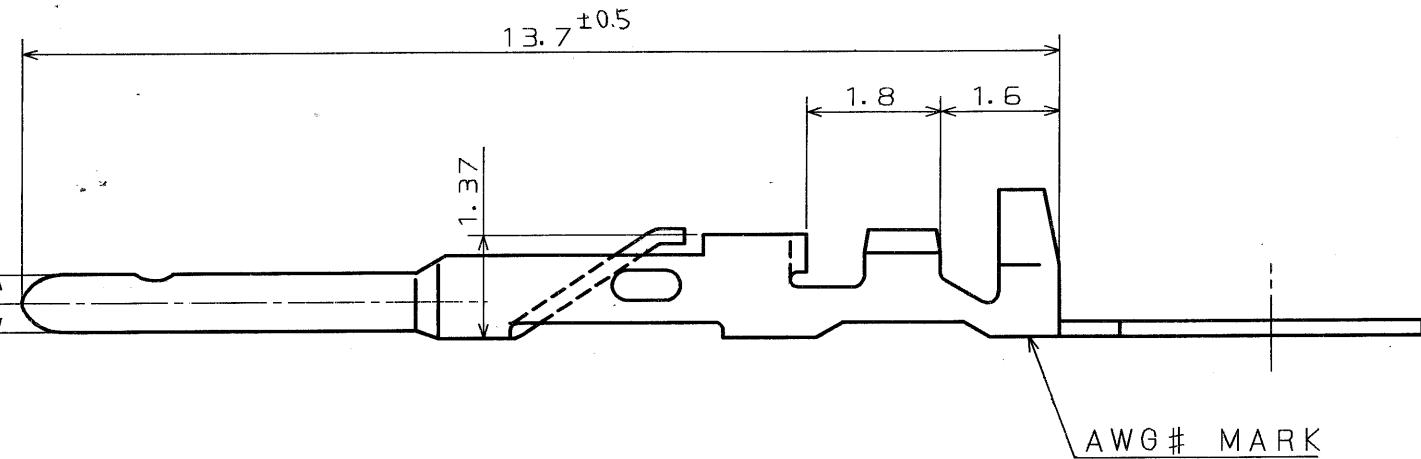
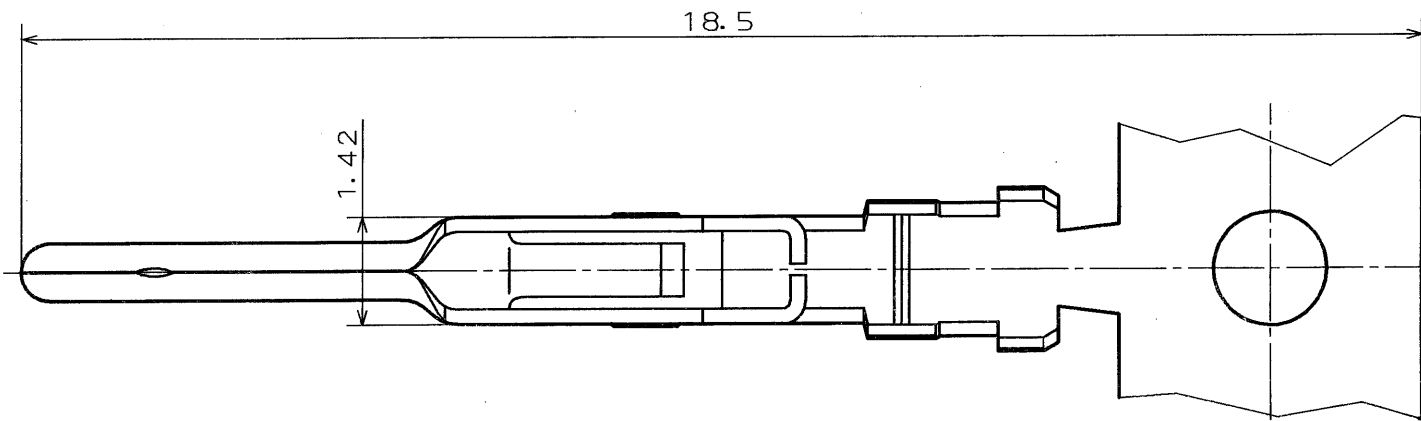


SJ021507-E

DWG. NO.

SYM	DCN NO.	DESCRIPTION	DATE	DRAWN	CHECKED	APP' D	APP' D



DESCRIPTION	APPLICABLE WIRE		AWG# MARK
	WIRE SIZE	OUTER DIA. OF INSUL.	
D02-22-22P-10000	AWG#22~24	DIA 1.3 MAX.	22
D02-22-26P-10000	AWG#26~28	DIA 1.1 MAX.	26

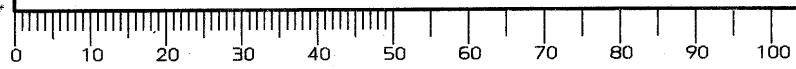
NOTE 1. CONTACT TO BE SUPPLIED IN REELED FORM.
(10,000 CONTACT/REEL)
2. NUMBER OF CONTACTS TO BE SHOWN ON THIS PORTION.
3. LABEL SHOWING PART NUMBER & Q'TY TO BE PUT ON THIS PORTION.

ITEM	DESCRIPTION	Q'TY	MATERIAL	FINISH	REMARKS
3	PIN CONTACT	10000	COPPER ALLOY	GOLD OVER NICKEL	
2	PAPER TAPE	1	PAPER		
1	MAGAZINE	1	PAPER		

REFERENCE DOCUMENT JACS-3050-2	DATE 9 JUN. '87	SCALE 10/1	JAE-CONNECTOR Reference Only		
MATERIAL	DRAWN E. MURANO	TITLE D02-22-22P-10000 D02-22-26P-10000	JAE NAKAGAMI-CHO, AKISHIMA-SHI TOKYO, JAPAN		
TREATMENT	CHECKED Y. HAYASHI	SERIES	DWG. NO. SJ021507-E		
FINISH	APP' D <i>K. Takeuchi</i>				
	APP' D <i>S. Iwashimoto</i>				

DIMENSIONS ARE IN MILLIMETERS TOLERANCES ON: (INCHES)	
DIMENSION	ANGLES
. ± 0.3	X° ±
.X ± 0.3	X°X' ±
.XX ±	CONCENTRICITY
.XXX ±	WITHIN T. I. R.

DOCF-116A



CSP-5150

SIZE A3

X-ON Electronics

Largest Supplier of Electrical and Electronic Components

Click to view similar products for [D-Sub Contacts](#) category:

Click to view products by [JAE](#) manufacturer:

Other Similar products are found below :

[D02-22-26S-10000](#) [8656352067LF](#) [131A15029X](#) [132A11019X](#) [132J22039X](#) [132A11029X](#) [132A11049X](#) [132A12059X](#) [1757912-1](#) [188582-000](#) [162A11889X](#) [1757913-1](#) [212558-1](#) [030-1955-000](#) [053744-0098](#) [053744-0099](#) [053745-0105](#) [053745-0111](#) [601098N003](#) [D-610-10CS2962](#) [86303057NLF](#) [131A11019X](#) [162A11819X](#) [40-9854MP](#) [1-208778-5](#) [FC120N2](#) [MC7526D/AA](#) [MC8122D/AA](#) [FC4010D-15](#) [FC4006D](#) [121A05329A](#) [164C16669X](#) [86566620064LF](#) [131A13019X](#) [DLS3XS5AK40X](#) [09692825723](#) [VS-BU-KX-50-RG58](#) [030-1954-000](#) [L17DM53744207](#) [L17RRD1M11400](#) [030-1952-000](#) [1655496](#) [030-1953-000](#) [030-1953-030](#) [132C11039X](#) [132J15019X](#) [132C15019X](#) [132A10039X](#) [131A10029X](#) [8638PSC2006LF](#)