

■ DG1 Series



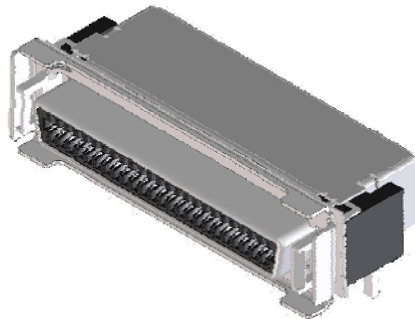
DG1R025HS*
(4x Receptacle)

Clip for panel installation attached



DG1R073HS*
(12x Receptacle)

Clip for panel installation attached



12x Receptacle
EMI countermeasure and
Clip for panel installation attached

Cable Harness (for reference)



DG1P025SL****R**
(4x Harness on both ends)



DG1P073SL****R**
(12x Harness on both ends)

Materials and Finishes

■ Receptacle (DG1R025HS*, DG1R073HS*)

Components	Materials/Finishes
Insulator	Glass filled LCP/ Color: Black(UL94V-0)
Shell	Steel/ Nickel plating
Signal contact	Copper alloy/ Contact area: Au plating over Ni (0.76um min.)
Ground contact	Terminal area: (S) Sn plating
Lock plate	Steel/ Tin plating
Gasket	Stainless steel

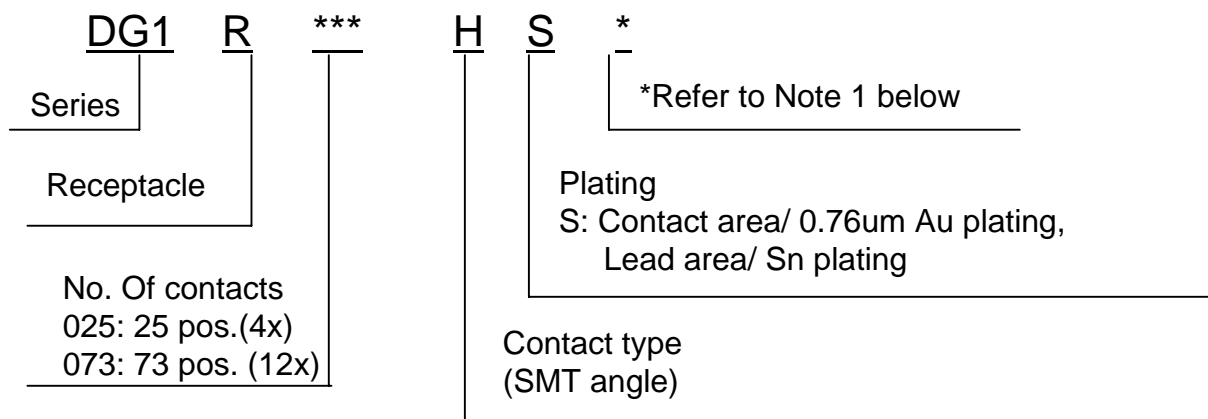
Using Cable Harness

■ Plug (DG1P025****, DG1P073****)

Components	Materials/Finishes
Backshell	Zinc/ Nickel plating
Lock spring	Stainless steel
Lanyard	Polycarbonate(UL94V-0)
Screw	Steel/ Nickel plating
Insulator	Glass filled LCP/ Color: Black(UL94V-0)
Signal contact	Copper alloy/ Au plating over nickel (0.76um min.)
Ground contact	Copper alloy/ Au plating over nickel (0.76um min.)
Paddle card	FR-4
Cable clamp	Copper alloy/ Nickel plating
Ring	Copper alloy/ Nickel plating

Ordering Information

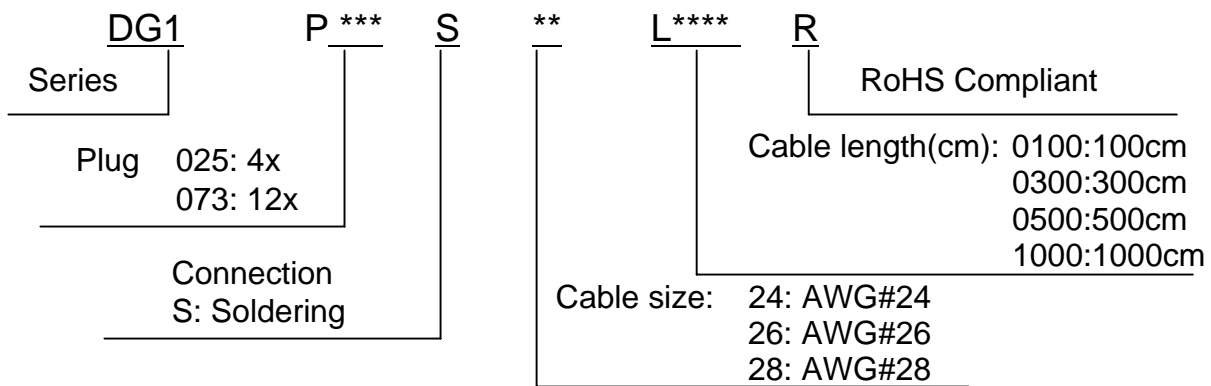
-Angle receptacle



*Note 1

Products	Mold boss	Metal boss height: Xdimension(mm)
DG1R***HS1	No	2.325
DG1R***HS2	No	3.125
DG1R***HS3	No	4.8
DG1R***HS4	Location post	2.325
DG1R***HS5	Location post	3.125
DG1R***HS6	Location post	4.8
DG1R***HS7	Crush pin	2.325
DG1R***HS8	Crush pin	3.125
DG1R***HS9	Crush pin	4.8

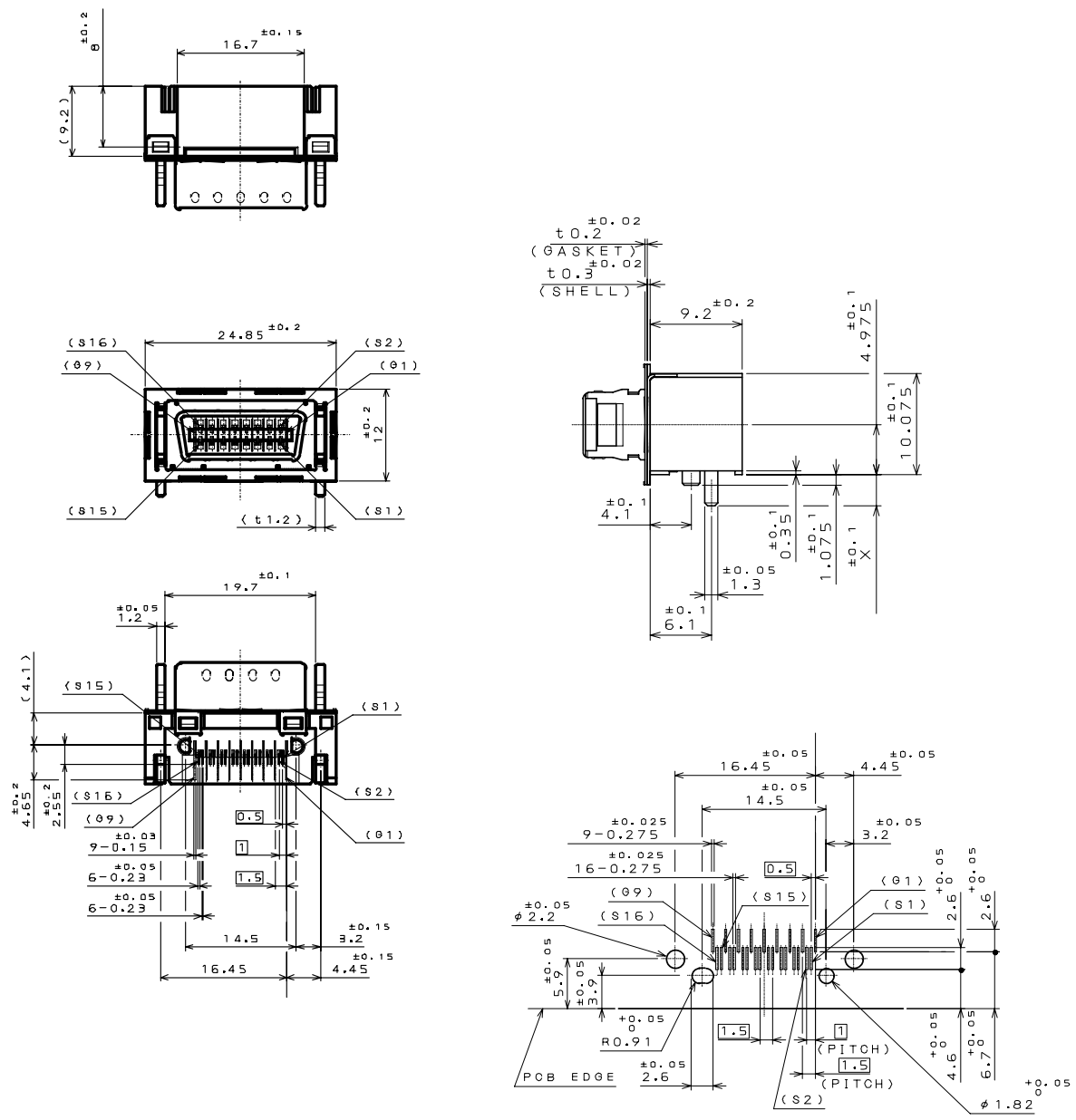
-Cable Harness



Dimensions and Design

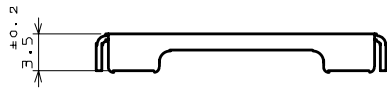
■ Receptacle

<4x>
-DG1R025HS**

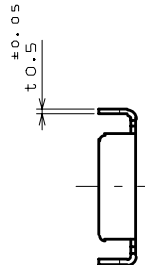
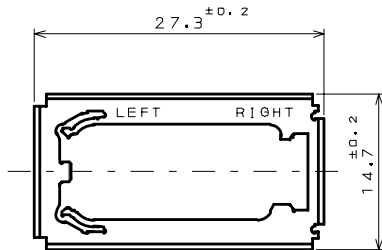


APPLICABLE P.C.B. DIMENSION(REF.)

-D029-50198 (Clip for panel installation)

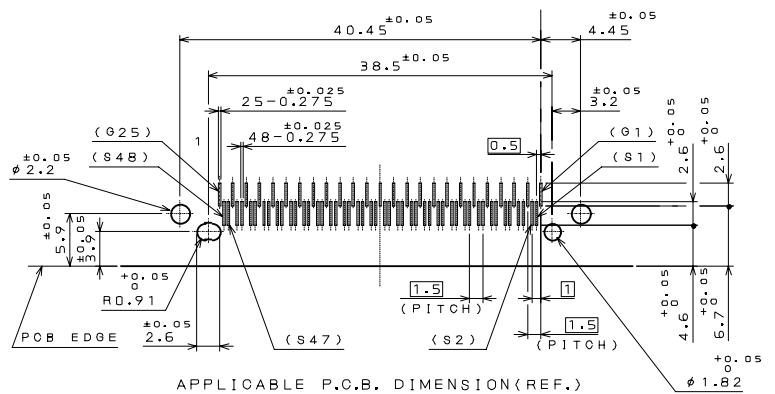
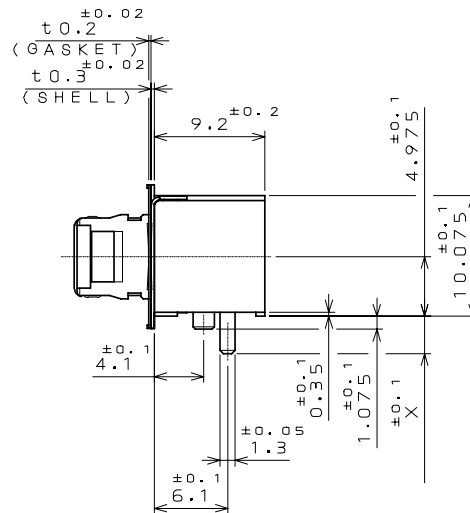
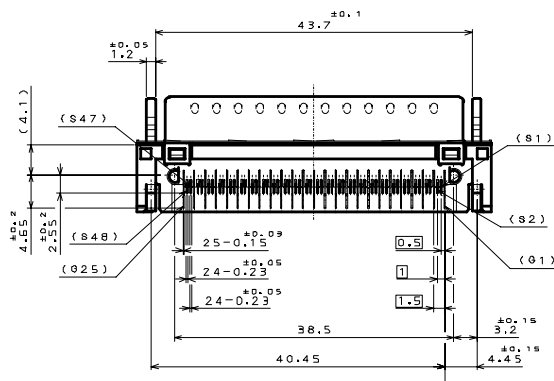
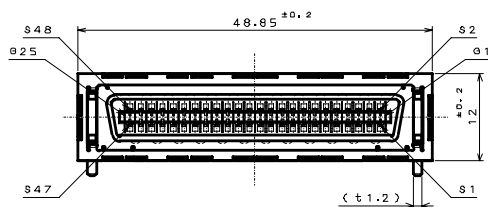
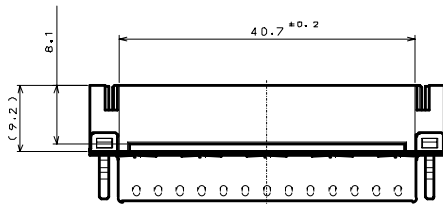


Compliant with 1.0mm-thick panel
InfiniBand Standard



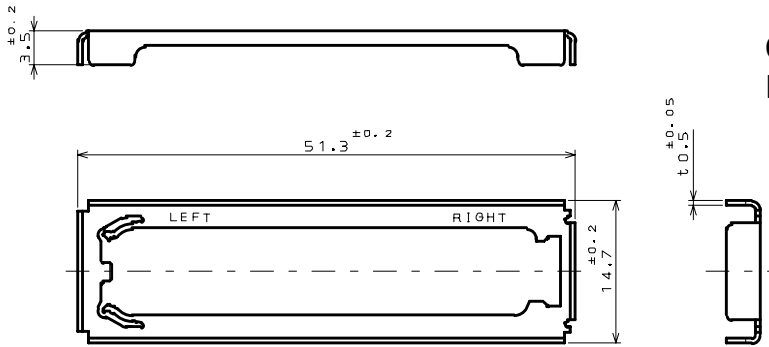
<12x>

-DG1R073HS**



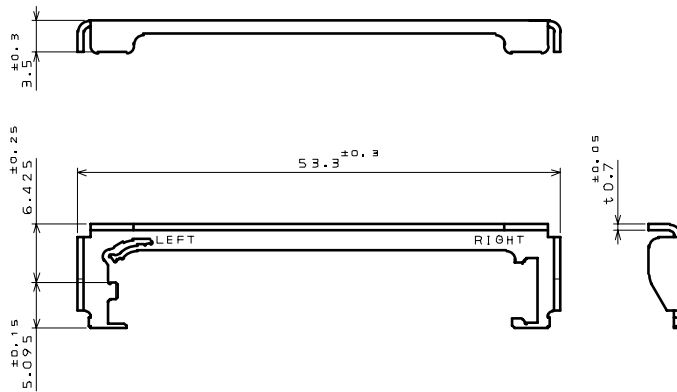
APPLICABLE P.C.B. DIMENSION (REF.)

-D029-50197 (Clip for panel installation)



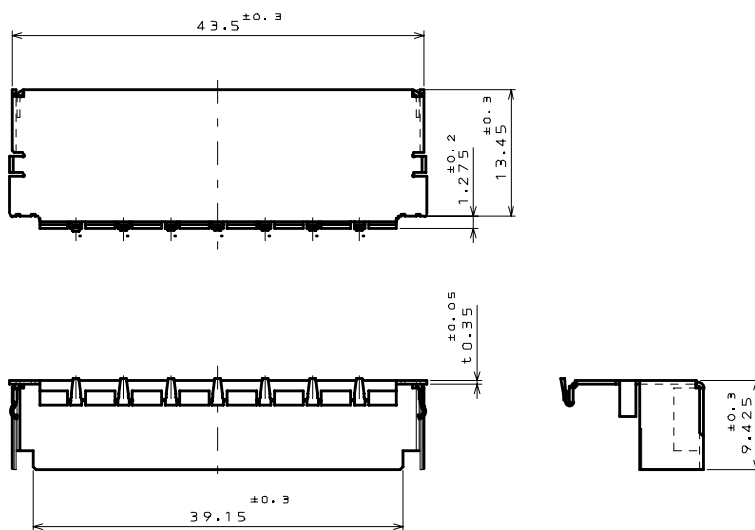
Compliant with 1.0mm-thick panel
InfiniBand Standard

-D029-50199 (Clip for PCI panel installation)



Compliant with 0.8mm-thick panel
PCI Standard

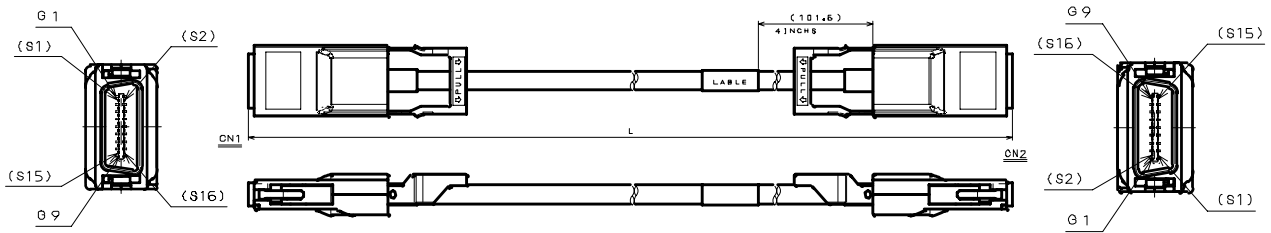
-D283-50016R (Shield cover for EMI)



EMI shield compliant only with
12x, at present.

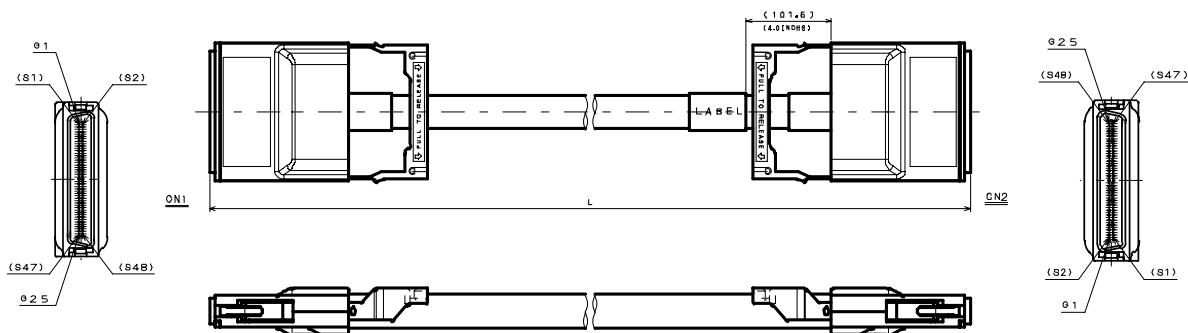
■ Cable Assembly

- 4x Harness



Applicable Cable	L Dimensions	Part Number
AWG#24	1m	DG1P025S24L0100R
	3m	DG1P025S24L0300R
	5m	DG1P025S24L0500R
	10m	DG1P025S24L1000R
AWG#26	1m	DG1P025S26L0100R
	3m	DG1P025S26L0300R
	5m	DG1P025S26L0500R
	10m	DG1P025S26L1000R
AWG#28	1m	DG1P025S28L0100R
	3m	DG1P025S28L0300R
	5m	DG1P025S28L0500R
	10m	DG1P025S28L1000R

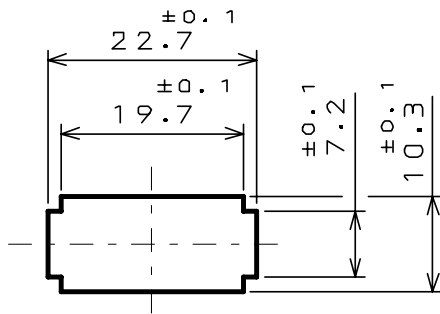
- 12x Harness



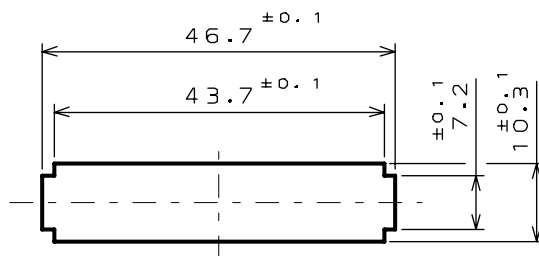
Applicable Cable	L Dimensions	Part Number
AWG#26	1m	DG1P073S26L0100R
	3m	DG1P073S26L0300R
	5m	DG1P073S26L0500R
	10m	DG1P073S26L1000R
AWG#28	1m	DG1P073S28L0100R
	3m	DG1P073S28L0300R
	5m	DG1P073S28L0500R
	10m	DG1P073S28L1000R

Applicable dimension for receptacle panel

- 4x Receptacle



- 12x Receptacle



Technical Information

	Part Number	SJ Drawing	Specifications	Note
Receptacle	DG1R025HS*	SJ103013	JACS-3284	4x Receptacle master drawing
	DG1R073HS*	SJ103011	JACS-3284	12x Receptacle master drawing
Clip for Panel Installation	D029-50198	SJ037707	JACS-3284	4x Receptacle clip
	D029-50197	SJ037655	JACS-3284	12x Receptacle clip
	D029-50199	SJ038604	JACS-3284	12x Receptacle clip (C type)
	D283-50016R	SJ106161	JACS-3284	12x Shield cover
Cable Harness	DG1P025S**L****R	Please contact us for further information.		
	DG1P073S**L****R			

Notice: Products shown in this leaflet are made for the applications listed below. However, if the above-mentioned products are to be used in aerospace devices, marine cable-connection devices, atomic power control systems, medical equipment for life-support systems, or any other specific application requiring extremely high reliability, please contact JAE for further information.
 Recommended applications: Computers, Office machines, Measuring devices, Telecommunication devices (Terminals, Mobile devices), AV devices, Household applications, FA devices, etc.

Japan Aviation Electronics Industry, Limited

Product Marketing Division
 Aobadai Building, 3-1-19, Aobadai, Meguro-ku, Tokyo 153-8539
 Phone: +81-3-3780-2787 FAX: +81-3-3780-2946

* The specifications in this brochure are subject to change without notice. Please contact JAE for information.
 JAE PMK Div. Proprietary. Copyright © 2006, Japan Aviation Electronics Industry, Ltd.

X-ON Electronics

Largest Supplier of Electrical and Electronic Components

Click to view similar products for [D-Sub High Density Connectors](#) category:

Click to view products by [JAE](#) manufacturer:

Other Similar products are found below :

[1484349-1](#) [163A16769X](#) [163A16809X](#) [163A17089X](#) [164A17199X](#) [164A17209X](#) [164A17479X](#) [164A18209X](#) [17BH-044S-AA110](#) [K86X-AD-26S](#) [KF66X-A26P-NJ](#) [KF66X-E15P-N](#) [241A17320X](#) [242A18390X](#) [242A25740X](#) [L717HDB44POL2R210](#) [L717HDCH62POL2RM5](#) [L717HDEH15POL2](#) [L777HDE15P](#) [L77HDC62S](#) [L77HDE15SC309](#) [163A16779X](#) [163A16839X](#) [163A17049X](#) [163A17079X](#) [164A17309X](#) [164A17329X](#) [164A18219X](#) [241A16440X](#) [241A16550X](#) [241A16680X](#) [241A17390X](#) [241A20810X](#) [241A25740X](#) [CT25-44P](#) [K66X-E15S-N30](#) [K86X-BA-44S](#) [K86X-ED-15S-BR15](#) [K86X-ED-15SK](#) [L177HDE15SOL2RM23](#) [L177HRC62S](#) [L177HRC62SVFM](#) [L177HRCG62S](#) [L717HDBH44POL2RM5](#) [L717HDEG15POL2RM5](#) [L77HDA26SVF](#) [L77HDE15SD1CO](#) [L77HDEH15SOL2RM832](#) [DAMA-15S-WS](#)
[443895-3](#)