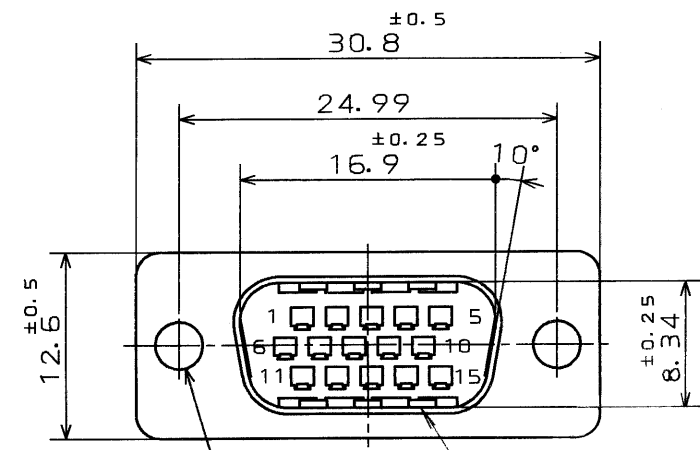


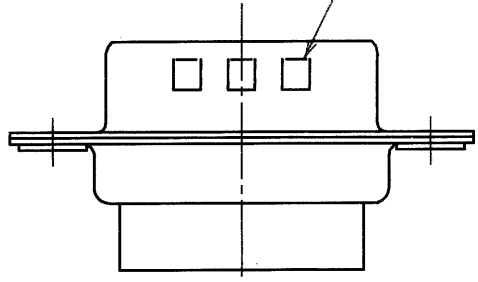
SJ021705-E

DWG. NO.

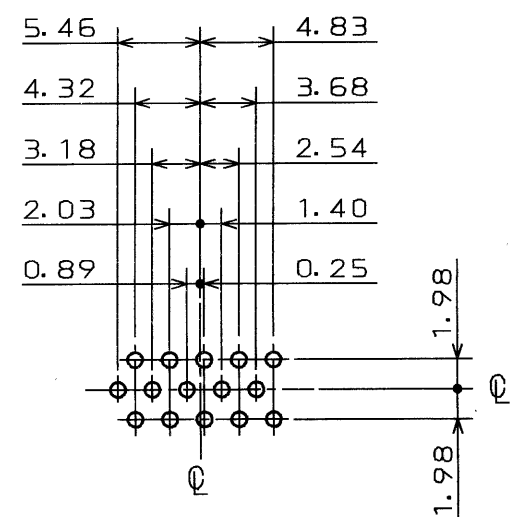
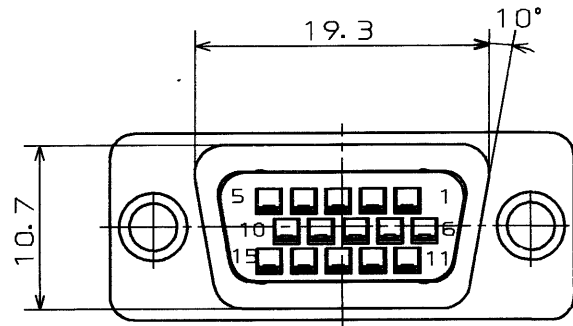
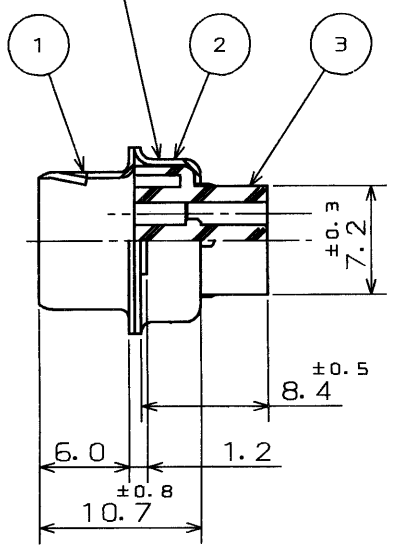
| SYM | DCN NO. | DESCRIPTION | DATE | DRAWN | CHECKED | APP' D | APP' D |
|-----|---------|-------------|------|-------|---------|--------|--------|
| | | | | | | | |
| | | | | | | | |
| | | | | | | | |



GROUNDING DIMPLE



NOTE 3



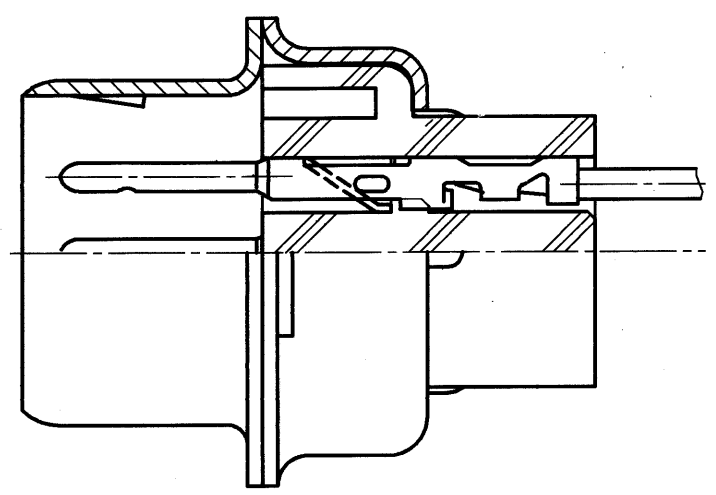
INSERT ARRANGEMENT (FRONT VIEW)

PART NUMBER EXPLANATION

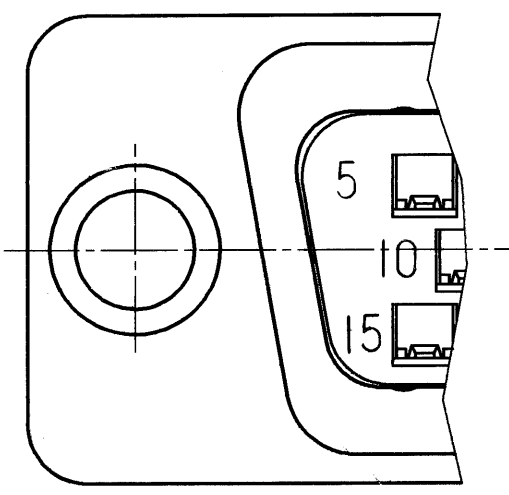
D02 - M 15 P G - N - FO

WITHOUT CONTACT
 STAMP CONTACT
 FCC TYPE, TIN PLATED SHELL
 PIN CONTACT
 NUMBER OF CONTACTS
 INSERT ARRANGEMENT PER MIL(MS-18273)
 SERIES PREFIX

- NOTE 1. CONTACT TO BE ORDERED SEPARATELY.
 2. FOR PANEL CUTOUT DIMENSIONS, SEE OUR DWG. SJ013596.
 3. MARKS "JAE" & P/N "D02M15PG" ARE SHOWN ON THIS PORTION.



PIN CONTACT INSERTED



DIMENSIONS ARE IN MILLIMETERS
 TOLERANCES ON: (INCHES)

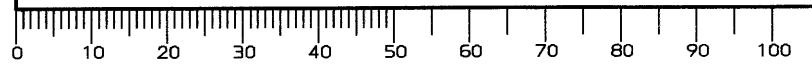
| DIMENSION | ANGLES |
|------------|-----------------|
| . ± | X° ± |
| .x ± 0.4 | X°X' ± |
| .xx ± 0.13 | CONCENTRICITY |
| .xxx ± | WITHIN T. I. R. |

| ITEM | DESCRIPTION | Q' TY | MATERIAL | FINISH | REMARKS |
|------|-------------|-------|--------------------|-----------|----------------|
| 3 | INSULATOR | 1 | GLASS FILLED NYLON | | UL94V-0, BLACK |
| 2 | REAR SHELL | 1 | STEEL | TIN PLATE | |
| 1 | FRONT SHELL | 1 | STEEL | TIN PLATE | EMBOSS |

| | | | | | |
|---|--------------------|-----------------------|-------------------------------|--------------------------------|-------------------|
| REFERENCE DOCUMENT T86-11 JACS-3050-2 | DATE 9 JUN. '87 | SCALE 2/1 | TITLE D02-M15PG-N-FO | FINISH TIN PLATE | REMARKS EMBOSS |
| MATERIAL | E. MURANO | CHECKED Y. HAYASHI | APP' D <i>Y. Takemachi</i> | APP' D <i>S. Iwashimoto</i> | SERIES |
| TREATMENT | | | | | |
| FINISH | | | | | |

JAE CONNECTOR ROOM
 Reference Only
 JAE
 NAKAGAMI-CHO, AKISHIMA-SHI
 TOKYO, JAPAN
 DWG. NO. SJ021705-E

DOF-115A



SIZE

X-ON Electronics

Largest Supplier of Electrical and Electronic Components

Click to view similar products for [D-Sub High Density Connectors](#) category:

Click to view products by [JAE](#) manufacturer:

Other Similar products are found below :

[97-3250-11](#) [163A16809X](#) [163A17089X](#) [164A17199X](#) [242A25680X](#) [L717HDB44POL2R210](#) [L717HDEH15POL2](#) [L777HDE15P](#)
[L77HDE15SC309](#) [163A16759X](#) [163A16839X](#) [163A16989X](#) [163A17079X](#) [164A17329X](#) [164A18219X](#) [241A16440X](#) [241A16550X](#)
[241A16680X](#) [241A20810X](#) [241A25740X](#) [CT25-44P](#) [MDBE15PE766](#) [L177HDE15SOL2RM23](#) [L177HRC62S](#) [L177HRC62SVFM](#)
[L177HRCG62S](#) [L717HDEG15POL2RM5](#) [L77HDA26SVF](#) [L77HDE15SD1CO](#) [L77HDEH15SOL2RM832](#) [443895-3](#) [106698-1](#) [280-012K2C](#)
[L177HRB44S](#) [164A17039X](#) [09562004701510](#) [164A17969X](#) [L777HRC62P](#) [241A17960X](#) [164A18269X](#) [280-019S1S9MEN](#) [L777HDEG15P](#)
[280-018P3S25MEGN](#) [206504-2](#) [40-9515HDSP](#) [2057140-1](#) [C115370-6002](#) [DFMA104SNMBFR172FR022](#) [HDC9F200E2S](#) [M24308/4-265](#)