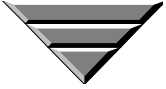


**NEW**

HDMI Standard Digital Interface Connector

CONNECTOR

MB-0121-3

February 2013

# DC1 Series

**RoHS Compliant**

The market for digital consumer devices such as LCD TVs, BD players has been rapidly growing along with the progress of digital high-definition television broadcasting.

The DC1 Series is a connector created specifically for use with the HDMI standard, a digital interface standard for digital consumer devices.

\*HDMI, the HDMI Logo and High-Definition Multimedia Interface are trademarks or registered trademarks of HDMI Licensing LLC.

## Features

- 1.0mm pitch, compact connector.
- Impedance-matching design for high-speed transmission.
- Grounding structure for excellent EMI control.
- Friction lock for easy insertion and removal of connector.

## Applicable Markets

LCD television, LCD projector, Set-top box, BD player, etc.

## General Specifications

- |  |   |
|--|---|
| ■ No. of Contacts: 19 pos.                           | ■ Rated Voltage: 0.5A max.                  |
| ■ Dielectric Withstanding Voltage :<br>AC 500V rms   | ■ Insulation Resistance: 100M $\Omega$ min. |
| ■ Operating Temperature:<br>-20 Deg. C to +85 Deg. C | ■ Impedance: 100 $\Omega$ $\pm$ 15%         |

**Materials and Finishes**

**Receptacle**

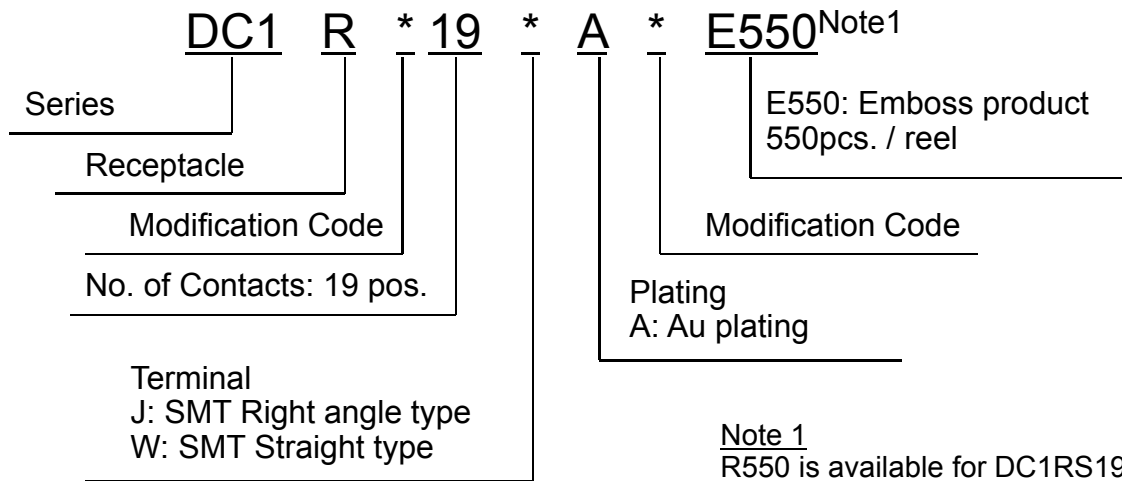
Component	Material / Finish
Insulator	Heat resistant plastic
Contact	Copper alloy / Au plating over Ni
Shell	Copper alloy / Sn plating

**Plug (for Cable Harness)**

Component	Material / Finish
Insulator	Heat resistant plastic
Contact	Copper alloy / Au plating over Ni
Shell	Copper alloy / Sn plating
Hood	PVC / Color: Black (UL94V-0)

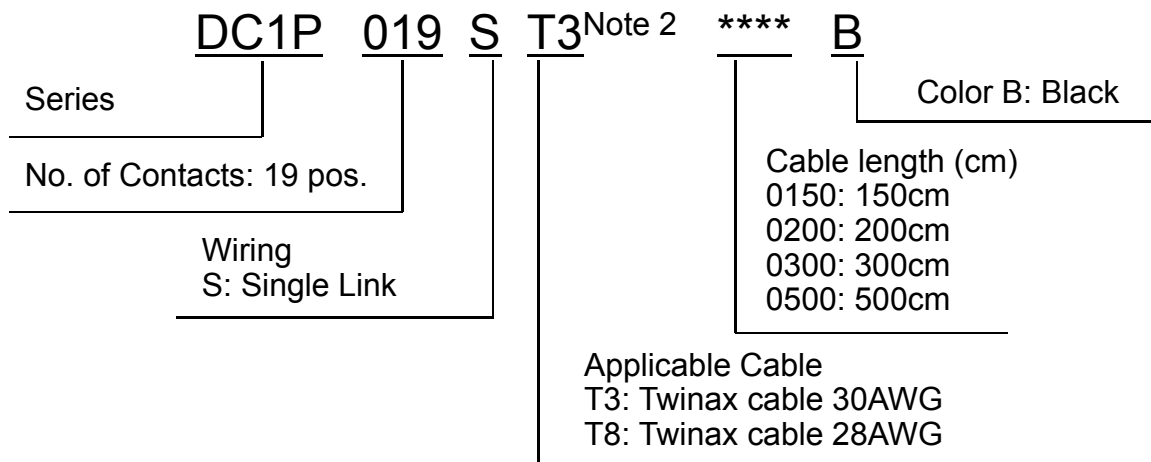
**Ordering Information**

•Receptacle



Note 1  
R550 is available for DC1RS19JA7 only.

•HDMI-HDMI Cable Harness

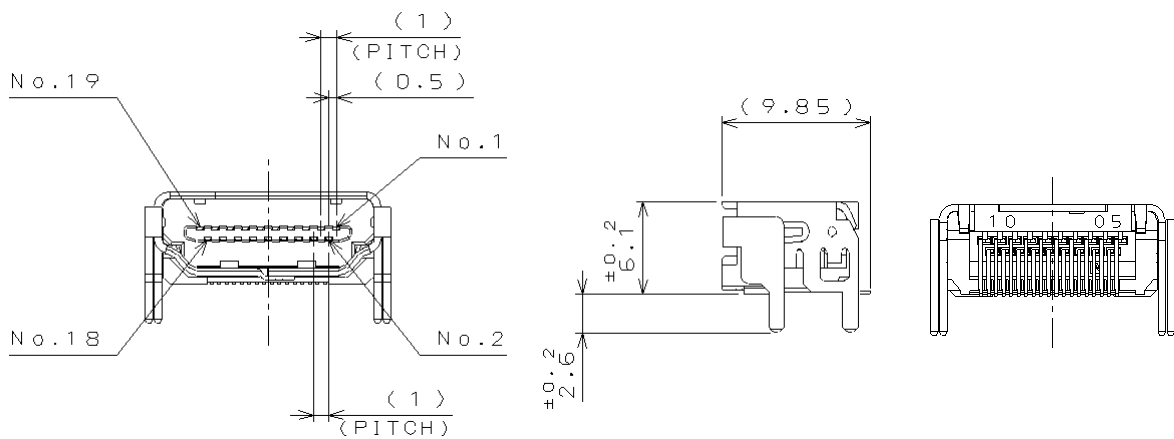
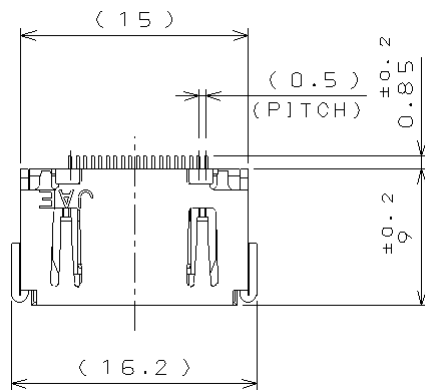


Note 2  
Cable Specification  
T3 is 150cm, 200cm, 300cm.  
T8 is 500cm.

Dimensions and Shape

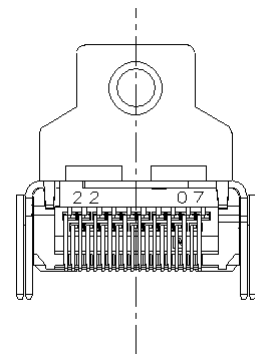
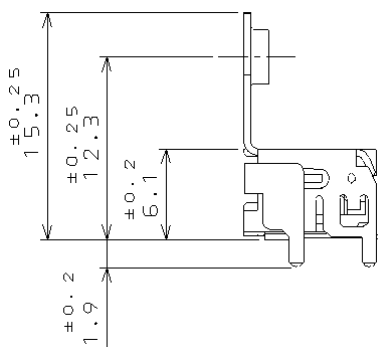
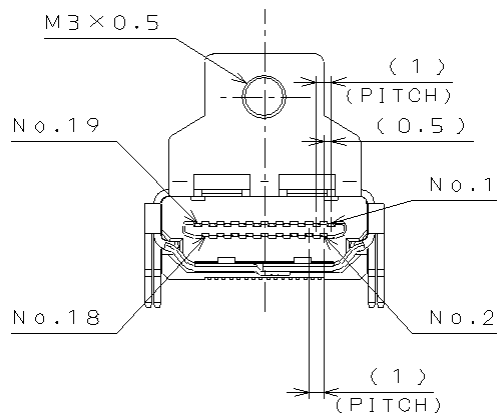
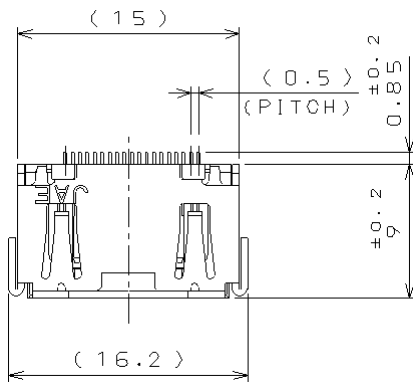
Right Angle Receptacle

- DC1RS19JA7  
(SMT, without flange)



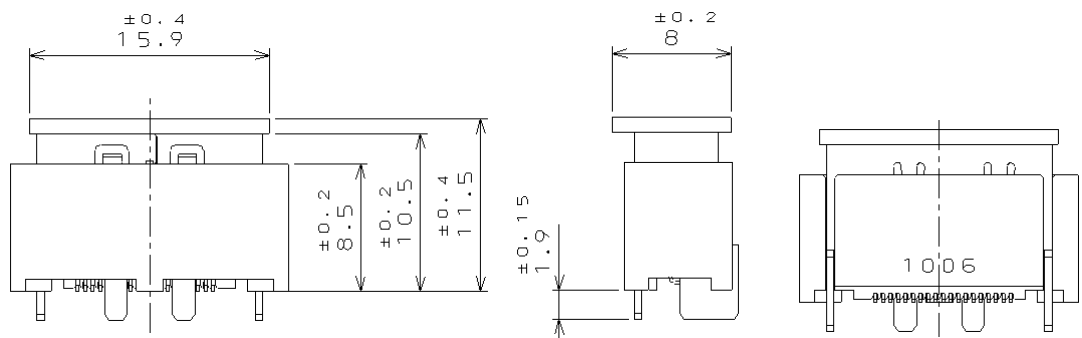
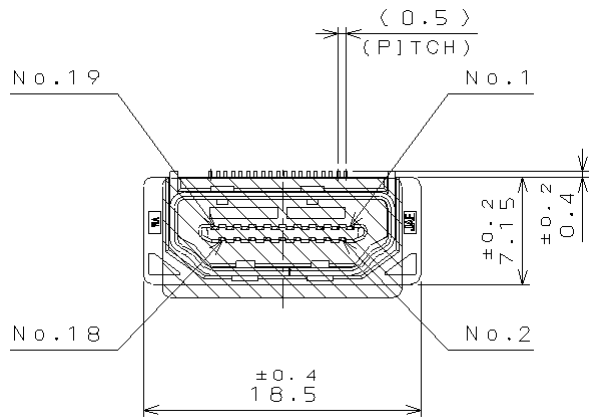
Right Angle Receptacle

- DC1RS19JAX  
(SMT, with right angle flange)



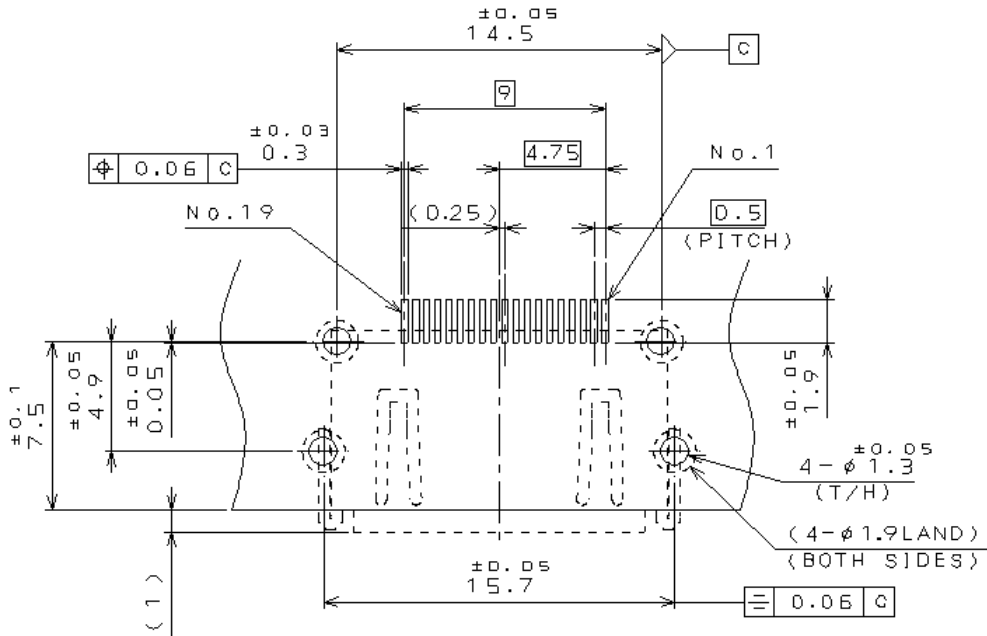
Straight Receptacle

•DC1RS19WA7

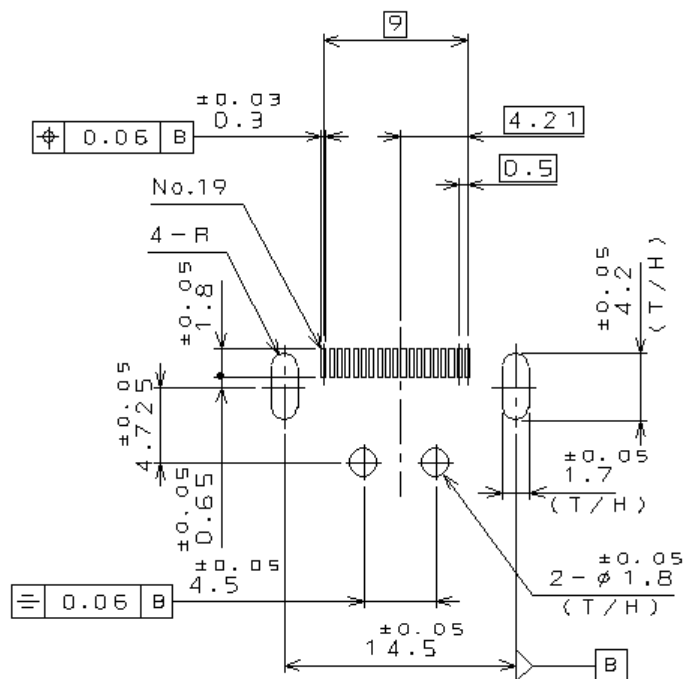


Applicable Board Dimensions (for reference)

- DC1RS19JA7, JAX

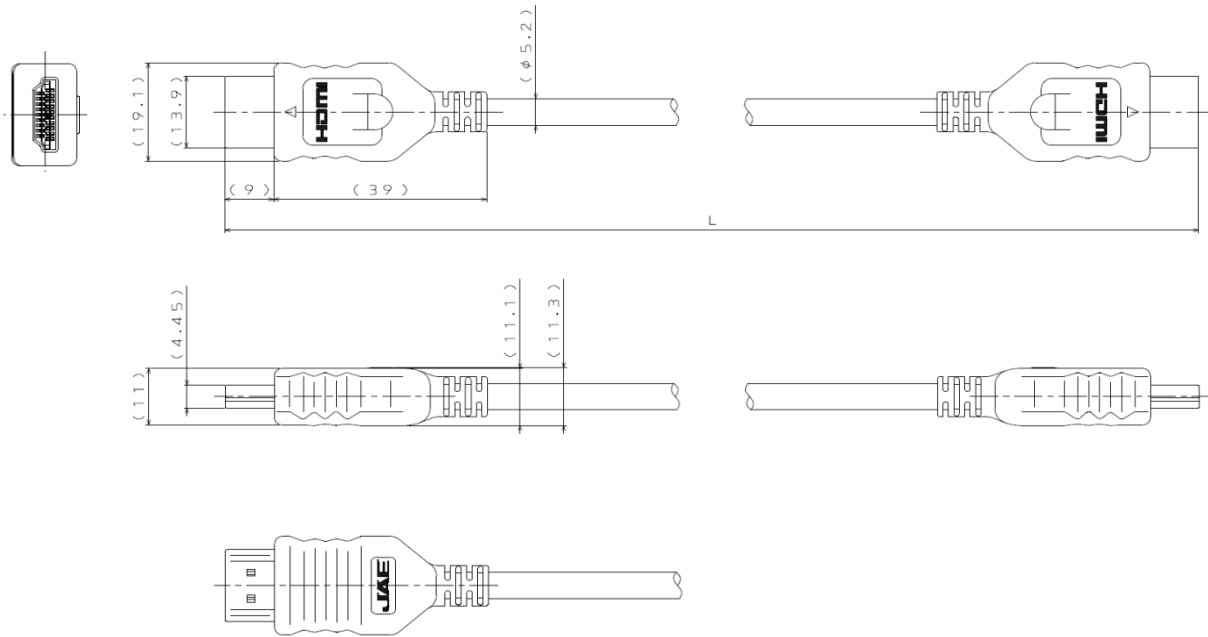


- DC1RS19WA7



HDMI-HDMI Cable Harness

•DC1P019ST3\*\*\*\*B



Drawing Number
----------------

## ■ Receptacle

Connection	Mounting	Flange	Part Number	SJ Drawing	Specification
Right Angle	SMT	No	DC1RS19JA7	SJ112283	JACS-3289
		Yes	DC1RS19JAX	SJ112619	
Straight	SMT	Yes	DC1RS19WA7	SJ112330	

## ■ Cable Harness

Cable Harness	Harness	Part Number	SJ Drawing	Specification
	HDMI-HDMI	DC1P019ST3****B	SJ038524	JACS-3289
		DC1P019ST8****B	SJ100180	

### •DC1 Series Connector, Cable Handling Instruction-----J AHL-3289

#### **Japan Aviation Electronics Industry, Limited**

Product Marketing Division  
Aobadai Building, 3-1-19, Aobadai, Meguro-ku, Tokyo 153-8539  
Phone: +81-3-3780-2882 FAX: +81-3-3780-2946

**Notice:** Products shown in this brochure are made for the applications listed below. However, if the above-mentioned products are to be used in aerospace devices, marine cable-connection devices, atomic power control systems, medical equipment for life-support systems, or any other specific application requiring extremely high reliability, please contact JAE for further information.  
Recommended applications: Computers, Office machines, Measuring devices, Telecommunication devices (Terminals, Mobile devices), AV devices, Household applications, FA devices, etc.

\* The specifications in this brochure are subject to change without notice. Please contact JAE for information.



## X-ON Electronics

Largest Supplier of Electrical and Electronic Components

*Click to view similar products for [HDMI, Displayport & DVI Connectors](#) category:*

*Click to view products by [JAE](#) manufacturer:*

Other Similar products are found below :

[1775247-3](#) [2-1932649-5](#) [30-1231](#) [30-528](#) [2069485-1](#) [30-504](#) [30-519](#) [30-542](#) [47648-2000](#) [2002-400](#) [TC142X](#) [769-103/021-000](#) [1932649-1](#)  
[233-368NFG6-17NH](#) [PJ-210A](#) [PJ-35825](#) [6321-026RDS1MWA02](#) [DV11201-H5R6-4F](#) [RPI-16337](#) [CC-MDPM-VGAM-6](#) [RPI-16338](#) [CCB-](#)  
[HDMIL-1.5M](#) [CCB-HDMIL-1M](#) [CCB-HDMIL-2M](#) [CCB-HDMIL-3M](#) [CCB-HDMIL-5M](#) [CCB-HDMIL-7.5M](#) [CCBP-HDMI-10M](#) [CCBP-](#)  
[HDMI-1M](#) [CCBP-HDMI-2M](#) [CCBP-HDMI-3M](#) [CCBP-HDMI-5M](#) [CCBP-HDMI-7.5M](#) [CCBP-HDMI8K-1M](#) [CCBP-HDMI8K-2M](#) [CCBP-](#)  
[HDMI8K-3M](#) [AK-AV-02](#) [AK-AV-03](#) [AK-AV-05](#) [AK-AV-11](#) [AK-AV-13](#) [AK-AV-15](#) [CCP-MDP2-6](#) [CCP-MDPMDP2-6](#) [AK-HD-05A](#) [AK-](#)  
[HD-100A](#) [AK-HD-100P](#) [AK-HD-15A](#) [AK-HD-15P](#) [AK-HD-15R](#)