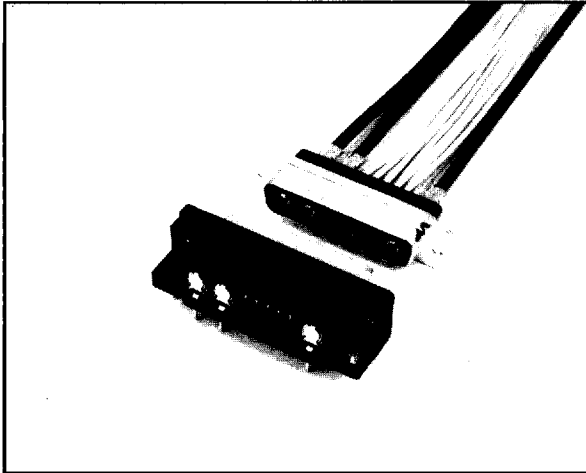


DBML SERIES CONNECTORS

D-Sub Shell with Signal and Coaxial Contacts



FEATURES

- Combines coaxial and signal contacts in a single D-shape shell
- Snap-in expansion post mounting
- Excellent protection against EMI

MATERIALS AND FINISHES

- Right Angle Through Hole Type

Description	Materials/Finishes
Shell	Steel/Tin plated
Insulator	Glass-filled PET/UL94V-0, Black
Grounding Lug Hook Lug	Phosphor Bronze/Tin plated
Hexagonal Nut	Steel/Tin plated
Location Plate	Glass-filled PET/UL94V-0, Black
Signal Contacts	Phosphor Bronze/ Connecting area: Gold plating Terminal area: Tin plating
Coaxial Contacts	Outer Conductor: Phosphor Bronze Connecting area: Gold plating Terminal area: Tin plating Inner Conductor: Brass/Gold plating Insulator: ETFE
Screw Lock Assembly	Steel/Tin plated

- Crimp Type

Shell	Steel/Tin plated
Front Insulator	PBT/UL94V-0, Black
Rear Insulator	Nylon/UL94V-0, Black

- Crimp Contacts

Signal Contacts	Copper Alloy/Gold plating over Nickel
Coaxial Contacts	Insulator: ETFE Sleeve: Brass/Gold plating Outer Conductor Phosphor Bronze/Gold plating Inner Conductor Pin: Phosphor Bronze/Gold plating Socket: Nickel Brass/Gold plating



The DBML Series of connectors are D-Subminiature connectors with a combination of signal and coaxial layouts for PC Board mounting and cable termination.

The DBML Series connector combines the Red-Green-Blue or gray scale graphics signals with data lines in a single connector. It offers excellent shielding capability against EMI and is designed for use with high resolution graphics I/O's for new generation Engineering Work Stations requiring 75Ω signal impedance.

GENERAL SPECIFICATIONS

Number of Contacts	13 (including 3 coaxial contacts)
Signal Contacts	
Current Rating	2A
Voltage Rating	250 VAC r.m.s.
Contact Resistance	20 milliohms max.
Coaxial Contacts	
Current Rating	5A
Voltage Rating	250 VAC r.m.s.
Contact Resistance	20 milliohms max.
Impedance	75Ω ± 7Ω
Operating Frequency	0 to 300 MHz
Attenuation	2dB max.
VSWR	1.2 max.
Dielectric Withstanding Voltage	1,000 VAC r.m.s. (for one minute)
Insulation Resistance	5,000 megohms min. @ 500VDC
Operating Temperature	-55°C to +105°C

ORDERING INFORMATION

(Crimp Type)	DBML	-	13W3	*	G	-	**	-	FO
(Through Hole)	DBML	-	13W3	S	A	G	-	**	L9
Series	_____								
13 Contacts	_____								
Coaxial - 3	_____								
Signal - 10	_____								
Contact Type	_____								
P - Pin (Crimp Only)	_____								
S - Socket	_____								
Termination	_____								
Blank - Crimp Type	_____								
A - Right Angle Through Hole (PCB Side)	_____								
Shell Finish	_____								
G - Tin Plating	_____								
Female Screw Lock Assembly	_____								
26 - #4-40" Screw Attached	_____								
21 - Screw Lock Ordered Separately	_____								
20 - #4-40" Screw Subassembled	_____								
Grounding Bracket (PCB Mounting)	_____								
L9 - Hook Type	_____								
Less Contacts	_____								

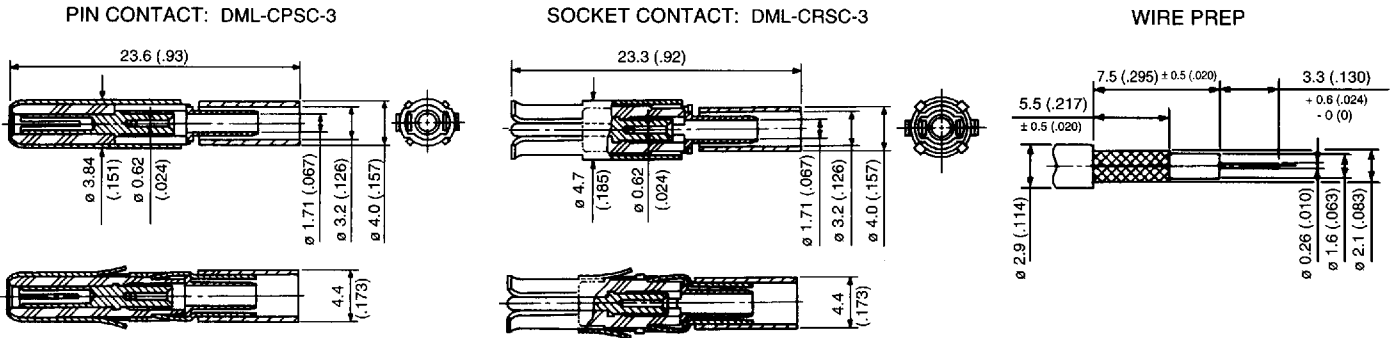
Dimensions and specifications subject to change without notice.

DBML SERIES CONNECTORS

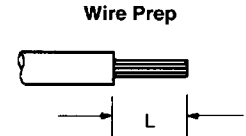
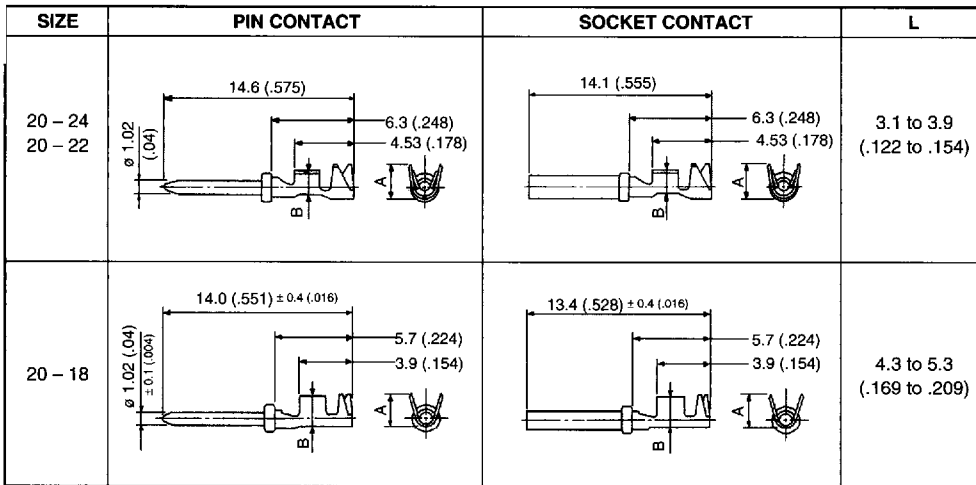
D-Sub Shell with Signal and Coaxial Contacts

CRIMP TYPE CONTACTS

• COAXIAL CONTACT



• SIGNAL CONTACT



Contacts		Part Numbers		A Ref.	B Ref.	Applicable Wire		
Type	Unit	Size	Pin Contact	Socket Contact			AWG No.	Insulation Dia.
Coaxial	PC	—	DML-CPSC-3	DML-CRSC-3	—	—	1.5C2V	ø2.9mm (.114)
Signal	10,000/Reel	20-24	D*C-20-24P-10000	D*C-20-24S-10000	2.3 (.091)	1.55 (.061)	#24 to #30	ø0.5 to ø1.2 (.020 to .047)
		20-22	D*C-20-22P-10000	D*C-20-22S-10000	2.6 (.102)	1.8 (.071)	#22 to #24	ø1.2 to ø1.7 (.047 to .067)
		20-18	D*C-20-18P-10000	D*C-20-18S-10000	2.5 (.098)	2.4 (.094)	#18 to #22	ø1.95 (.077) max.
	100/PKG	20-24	D*C-20-24P-PKG100	D*C-20-24S-PKG100	2.3 (.091)	1.55 (.061)	#24 to #30	ø0.5 to ø1.2 (.020 to .047)
		20-22	D*C-20-22P-PKG100	D*C-20-22S-PKG100	2.6 (.102)	1.8 (.071)	#22 to #24	ø1.2 to ø1.7 (.047 to .067)
		20-18	D*C-20-18P-PKG100	D*C-20-18S-PKG100	2.5 (.098)	2.4 (.094)	#18 to #22	ø1.95 (.077) max.

Contacts		Applicable Wire		Crimp Tool		Insertion/Extraction Tool	Extraction Tool
Type	Size	AWG No.	Insulation Dia.	Hand Tool	Semi-Automatic		
Coaxial	Inner	1.5C2V	ø2.9mm (.114)	M22520/2-01 (Locator: JP-D*ML)		—	—
	Outer			CT150-1C-D*ML			
Signal	20-24	#24 to #28	ø1.0 to ø1.5 (.039 to .059)	CT150-2-D*C	CT350-2C-D*C	JIET-D*C-20 (Insulation Dia. ø1.7 max.)	ET-20D
				CT150-2-D*Cmk2			
	20-22	#28 to #30	ø0.5 to ø1.2 (.020 to .047)	—	CT350-2C-D*C30		
				CT150-2-D*C			
20-18	#18 to #22	ø1.95 (.077) max.	CT150-2B-D*C.	CT350-2C-D*C			

Dimensions in mm (inches).

05F 4893465 0000843 195

Hong Kong
 Tel: 852-2723-7782
 Fax: 852-2723-9028

Japan
 03-3780-2715
 03-3780-2883

Singapore
 65-748-1332
 65-748-2920

Taiwan
 02-555-9711
 02-556-5424

United Kingdom
 1276-21717
 1276-66165

United States
 714-753-2600
 714-753-2699



X-ON Electronics

Largest Supplier of Electrical and Electronic Components

Click to view similar products for [D-Sub Contacts](#) category:

Click to view products by [JAE](#) manufacturer:

Other Similar products are found below :

[D02-22-26S-10000](#) [8656352067LF](#) [131A15029X](#) [132J22039X](#) [132A11029X](#) [132A11049X](#) [132A12059X](#) [1757912-1](#) [188582-000](#)
[162A11889X](#) [1757913-1](#) [212558-1](#) [030-1955-000](#) [053744-0098](#) [053744-0099](#) [053745-0105](#) [053745-0111](#) [601098N003](#) [D-610-10CS2962](#)
[86303057NLF](#) [131A11019X](#) [162A11819X](#) [40-9854MP](#) [1-208778-5](#) [FC120N2](#) [MC7526D/AA](#) [MC8122D/AA](#) [FC4010D-15](#) [FC4006D](#)
[121A05329A](#) [164C16669X](#) [86566620064LF](#) [131A13019X](#) [DLS3XS5AK40X](#) [09692825723](#) [030-1954-000](#) [L17DM53744207](#)
[L17RRD1M11400](#) [030-1952-000](#) [030-1953-000](#) [030-1953-030](#) [132C11039X](#) [132J15019X](#) [132C15019X](#) [132A10039X](#) [131A10029X](#)
[8638PSC2006LF](#) [8656453067LF](#) [86566520064LF](#) [L17DM537441](#)