

**NEW**  

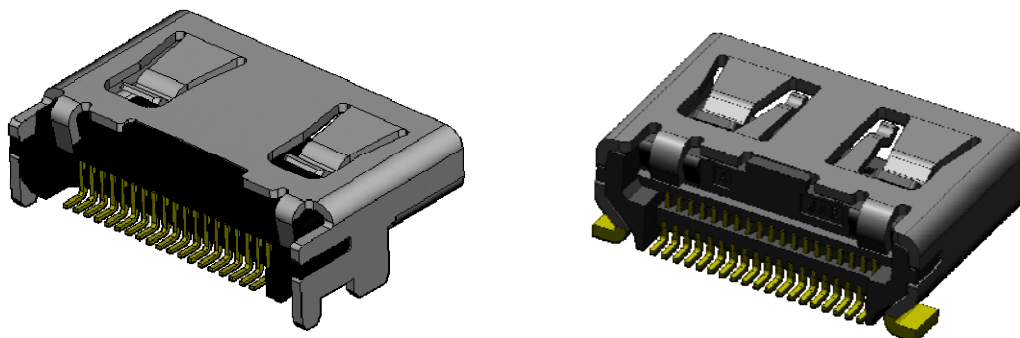

HDMI Standard Type C HDMI Mini Connector

CONNECTOR

MB-0186-2

March 2012

## DC2 Series

**RoHS Compliant**

Recently for portable devices, compatibility with high-definition digital video is becoming the standard. The DC2 series is a connector compliant with the HDMI Type C standard digital interface.

\*HDMI stands for High-Definition Multimedia Interface and is a registered trademark of HDMI Licensing, LLC.

### Features

- 0.4mm pitch, 19 position, compact connector
- Impedance-matching design compliant with high-speed transmission.
- Pin alignment designed for low cross-talk.
- Available in shell DIP type and all SMT type.

### Applicable Markets

High-definition camcorder, digital still camera (single-lens reflex, compact), tablet PC, portable game device, etc.

### General Specifications

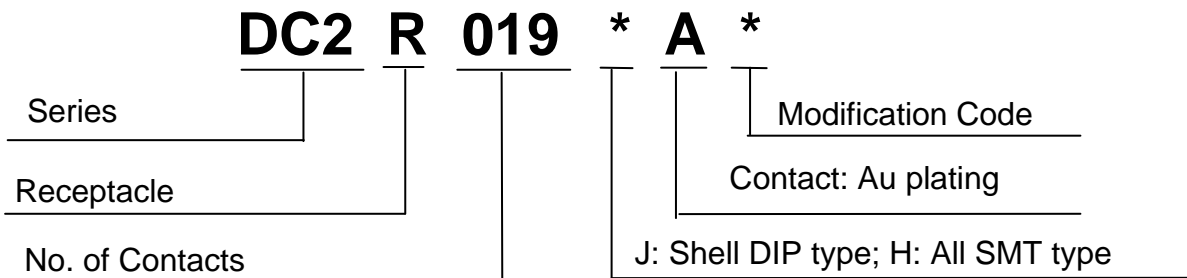
- No. of Contacts: 19 position
- Contact Resistance: Contact Area, 30m  $\Omega$  max.; Shell Area, 50m  $\Omega$  max.
- Dielectric Withstanding Voltage: AC500Vr.m.s. per minute (when not mated)
- Operating Temperature: -20 Deg. C to 85 Deg. C
- Rated Current: 0.5A max per contact
- Durability: 5,000 mating cycles
- Impedance: 100  $\Omega$   $\pm$  25% (connector area)

Materials and Finishes

Component	Material / Finish
Insulator	Heat resistant plastic
Contact	Copper alloy / Au plating over Ni
Shell	Copper alloy / Tin plating over Ni or Partial Au plating over Ni

Ordering Information

Receptacle

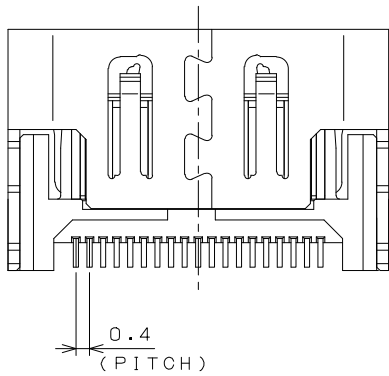
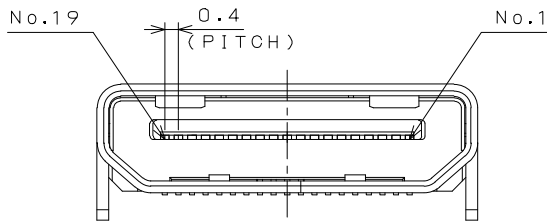
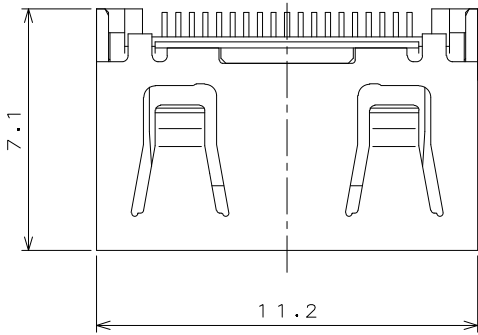


# Receptacle

## DC2R019JA5 (SJ109132)

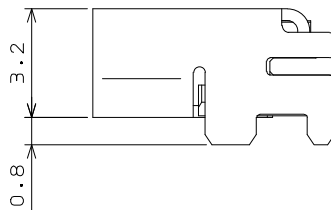
## DC2R019JA7 (SJ109296)

**Shell DIP Type**

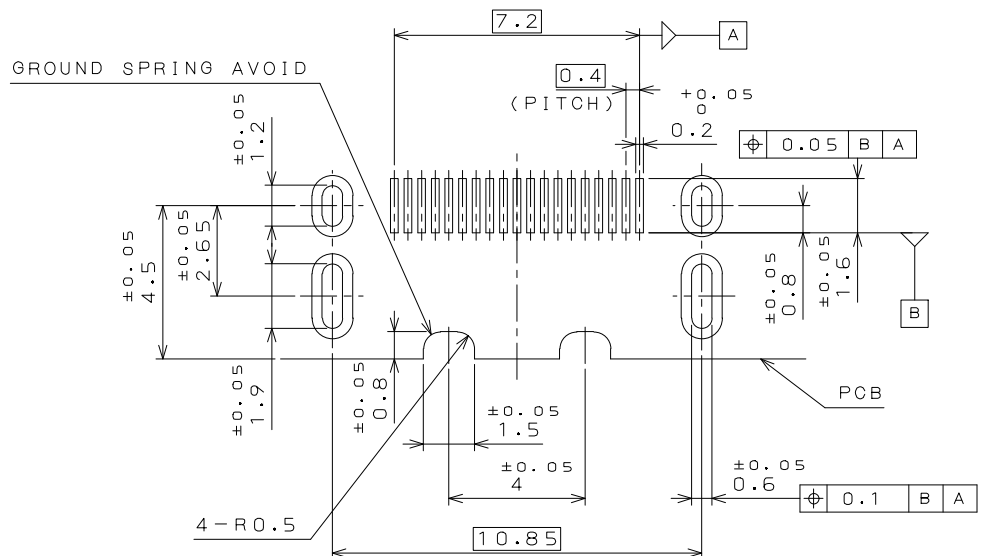


DC2R019JA5 is different from DCR019JA7 on insulator material only.

Part Number	Insulator Material
DC2R019JA5	9T Nylon (UL94 HB)
DC2R019JA7	9T Nylon (UL94 V0)



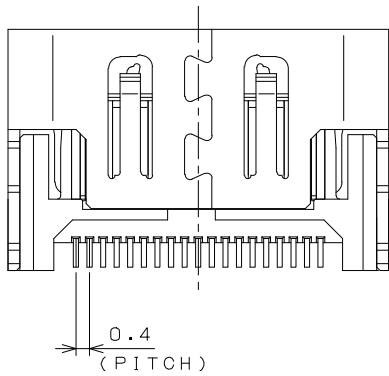
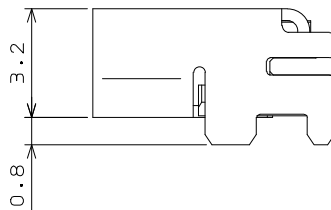
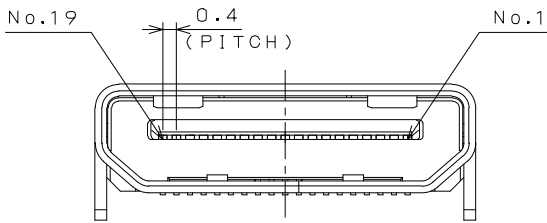
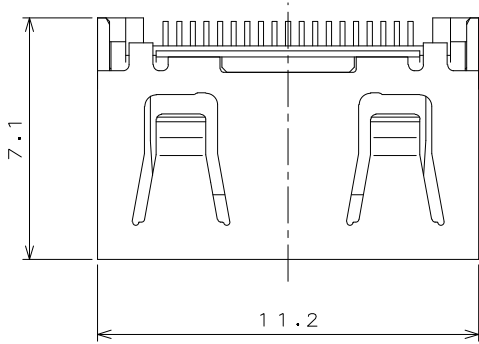
\*Please refer to SJ drawing when considering this product.



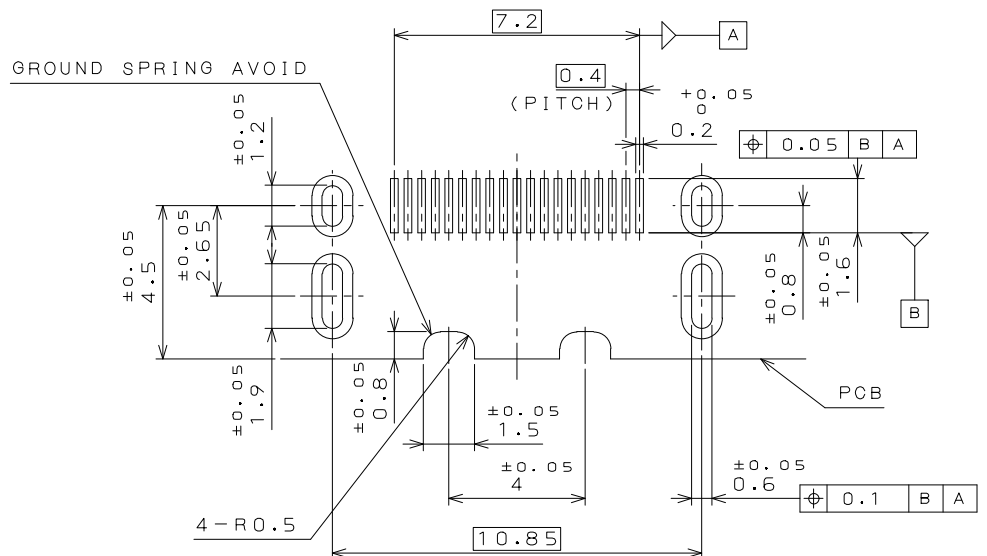
### Applicable Board Dimension

# Receptacle DC2R019JA6 (SJ109253)

**Shell DIP Type**



\*Please refer to SJ drawing when considering this product.

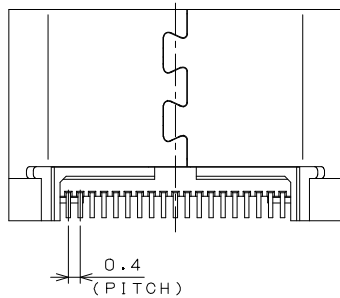
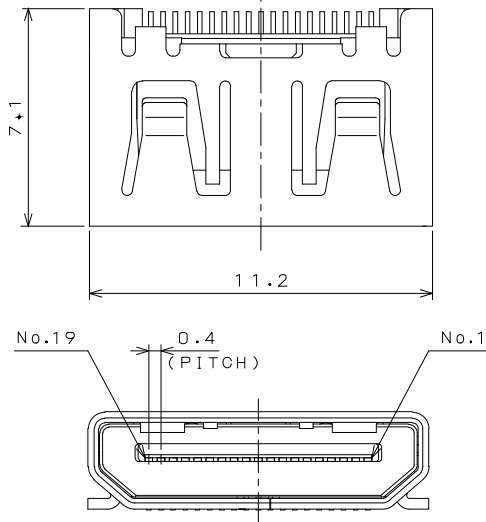


## Applicable Board Dimension

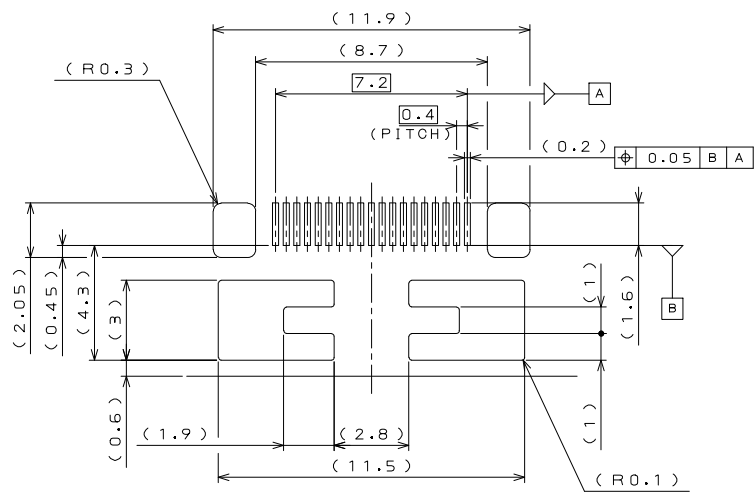
# Receptacle

## DC2R019HA2 (SJ111176)

All SMT Type



\*Please refer to SJ drawing when considering this product.



### Applicable Board Dimension

**Notice:** Products shown in this brochure are made for the applications listed below. However, if the above-mentioned products are to be used in aerospace devices, marine cable-connection devices, atomic power control systems, medical equipment for life-support systems, or any other specific application requiring extremely high reliability, please contact JAE for further information.

Recommended applications: Computers, Office machines, Measuring devices, Telecommunication devices (Terminals, Mobile devices), AV devices, Household applications, FA devices, etc.

### Japan Aviation Electronics Industry, Limited

Product Marketing Division  
 Aobadai Building, 3-1-19, Aobadai, Meguro-ku, Tokyo 153-8539  
 Phone: +81-3-3780-2787 FAX: +81-3-3780-2946

## X-ON Electronics

Largest Supplier of Electrical and Electronic Components

*Click to view similar products for [HDMI, Displayport & DVI Connectors](#) category:*

*Click to view products by [JAE](#) manufacturer:*

Other Similar products are found below :

[1775247-3](#) [2-1932649-5](#) [30-1231](#) [30-528](#) [2069485-1](#) [30-504](#) [30-519](#) [30-542](#) [47648-2000](#) [2002-400](#) [TC142X](#) [769-103/021-000](#) [1932649-1](#)  
[233-368NFG6-17NH](#) [PJ-210A](#) [PJ-35825](#) [6321-026RDS1MWA02](#) [DV11201-H5R6-4F](#) [RPI-16337](#) [CC-MDPM-VGAM-6](#) [RPI-16338](#) [CCB-](#)  
[HDMIL-1.5M](#) [CCB-HDMIL-1M](#) [CCB-HDMIL-2M](#) [CCB-HDMIL-3M](#) [CCB-HDMIL-5M](#) [CCB-HDMIL-7.5M](#) [CCBP-HDMI-10M](#) [CCBP-](#)  
[HDMI-1M](#) [CCBP-HDMI-2M](#) [CCBP-HDMI-3M](#) [CCBP-HDMI-5M](#) [CCBP-HDMI-7.5M](#) [CCBP-HDMI8K-1M](#) [CCBP-HDMI8K-2M](#) [CCBP-](#)  
[HDMI8K-3M](#) [AK-AV-02](#) [AK-AV-03](#) [AK-AV-05](#) [AK-AV-11](#) [AK-AV-13](#) [AK-AV-15](#) [CCP-MDP2-6](#) [CCP-MDPMDP2-6](#) [AK-HD-05A](#) [AK-](#)  
[HD-100A](#) [AK-HD-100P](#) [AK-HD-15A](#) [AK-HD-15P](#) [AK-HD-15R](#)