

**NEW**



0.5mm pitch stroke connector conforming to USB2.0 Standard

CONNECTOR

## DD1 Series

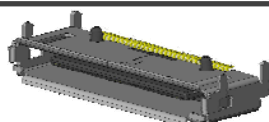
MB-0111-5

November 2006

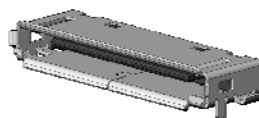
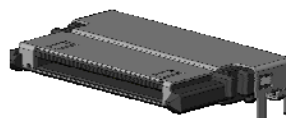
**RoHS Compliant**



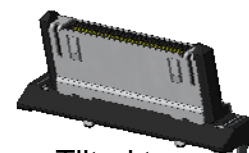
[Plug]



Reverse type

Standard type  
[Receptacle]

Angle type



Tilted type

[Cradle]

The DD1 series of connectors are single-line rectangular I/O connectors with 0.5mm pitch stroke conforming to USB2.0 Standard.

**Features**

- Enhanced twisting resistance at mating/ unmating through equipping a guide rail
- Secure ground connection for EMI prevention
- Conforms to transmission specified in USB2.0 Standard
- PB free

### **Receptacle**

- Occupied volume on chassis was considered at design and small package was achieved.
- Available in standard and reverse mounting type to respond to various mounting situations.
- Hot-plug structure
- Available on embossed tape for automatic mounting

### **Cradle**

- Available in two types. Angle type, which expands cradle designing capacity, and tilted type, slanted at a 75 degree angle to the board.
- 13.8mm depth was achieved, which enables minimizing the occupied area on PCB
- Alignment guide structure: guide range of 1.0mm min. (receptacle ↔ cradle)
- Angle type available on embossed tape for automatic mounting.  
Tilted type available in exclusive tray.

### **Plug**

- Side-lock type
- Simple part structure enables simple wire termination.
- Standard cable diameter 5.0mm. Cables with other diameters can also be applied.

**General Specifications**

- |  |  |
|--|--|
| ■ No. of contacts : 30 pos.                              | ■ Rated current: for signal 0.5A<br>for power 1.0A   |
| ■ Contact resistance:<br>50m ohm max. (initial)          | ■ Rated voltage: AC 30Vr.m.s                         |
| ■ Dielectric withstanding voltage :<br>DC500V per minute | ■ Operating temperature:<br>-25 Deg. C to +75 Deg. C |
| ■ Insulation resistance:<br>1,000M ohm min. (initial)    | ■ Mating cycle: 10,000 times                         |

Materials and Finishes
------------------------

### Receptacle

Components	Materials/ Finishes
Contact	Copper alloy/ Contact: Au plating over Ni Terminal: Au flash plating over Ni
Insulator	Glass filled nylon resin
Shell	Stainless steel/ Sn plating over Ni

### Cradle

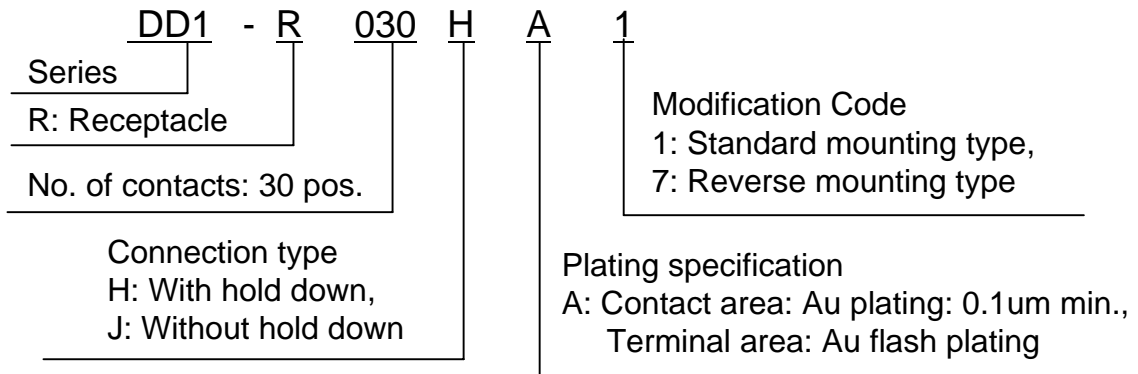
Components	Materials/ Finishes
Contact	Copper alloy/ Contact: Au plating over Ni Terminal: Au flash plating over Ni
Insulator	Glass filled nylon resin
Shell	Stainless steel/ Main frame: Ni plating Through-hole: Sn plating over Ni
Through-hole Plate	Copper alloy/ Main frame: Ni plating Through-hole: Sn plating over Ni

### Plug

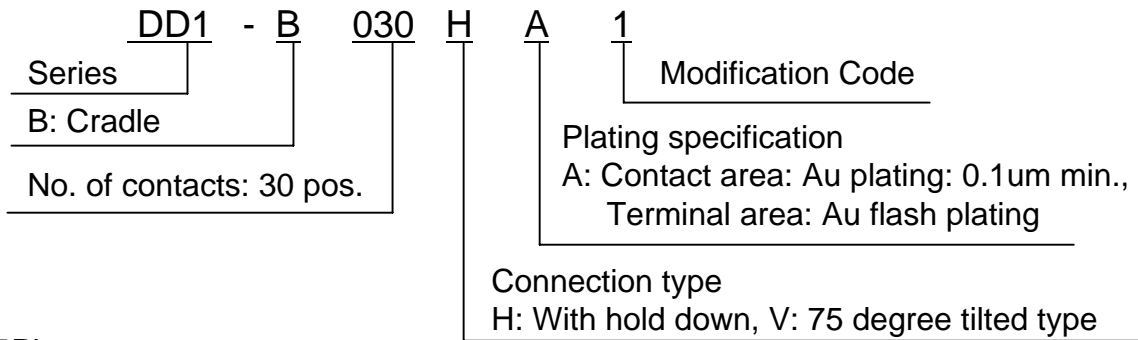
Components	Materials/ Finishes
Contact	Copper alloy/ Contact: Au plating over Ni Terminal: Au flash plating over Ni
Insulator	Glass filled nylon resin
Shell	Stainless steel/ Ni plating
Hood	Glass filled polycarbonate/ Color: Black
Lock Spring	Stainless steel/ Ni plating
Clamp Barrel	Copper alloy/ Ni plating
Bushing	PVC/ Color: Black

Ordering Information

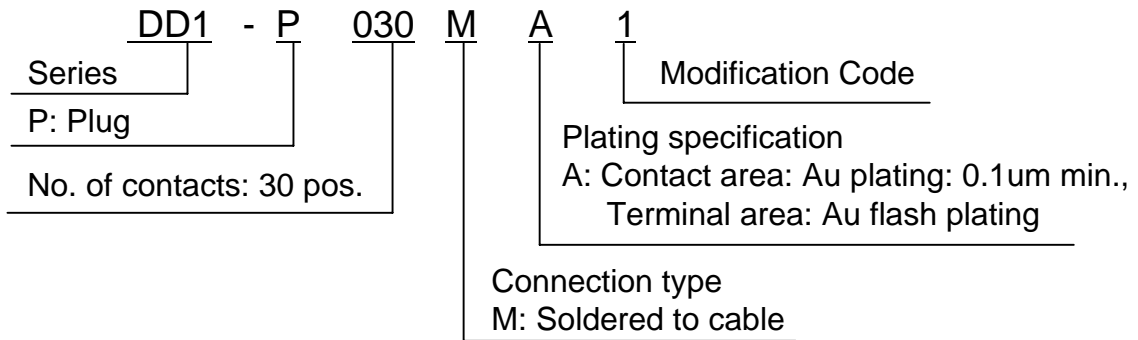
■ Receptacle



■ Cradle



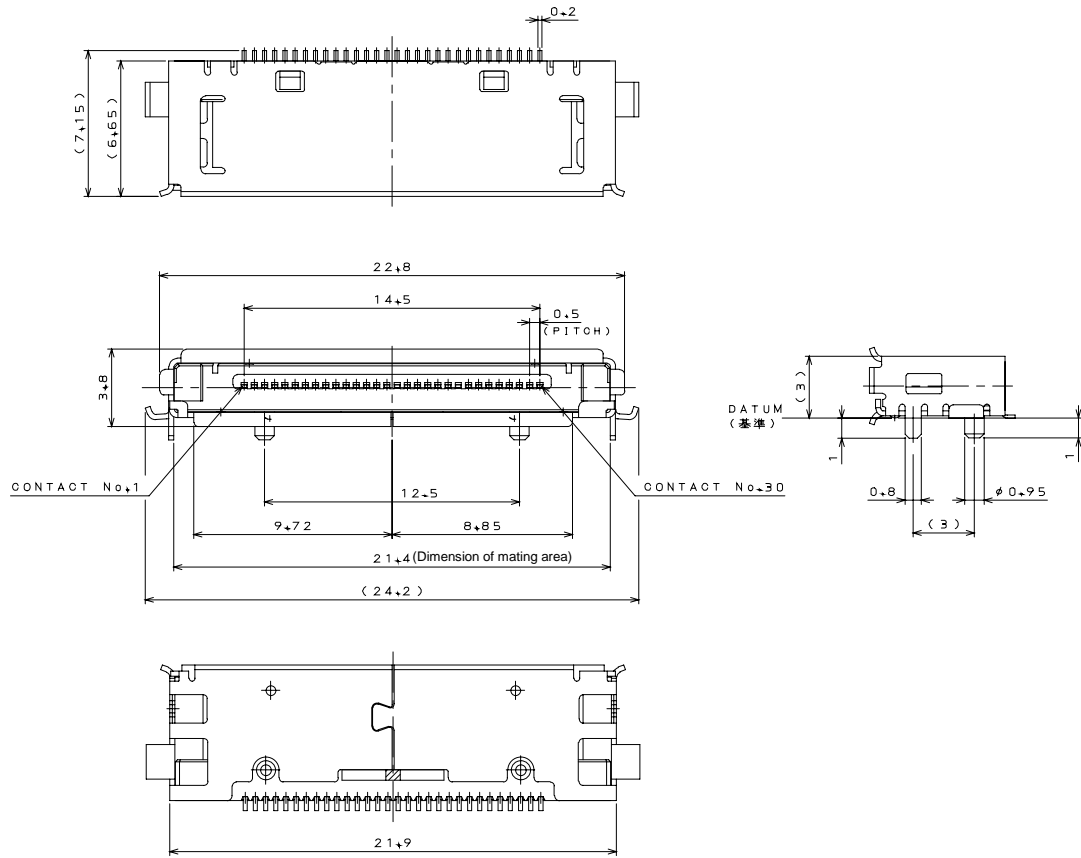
■ Plug



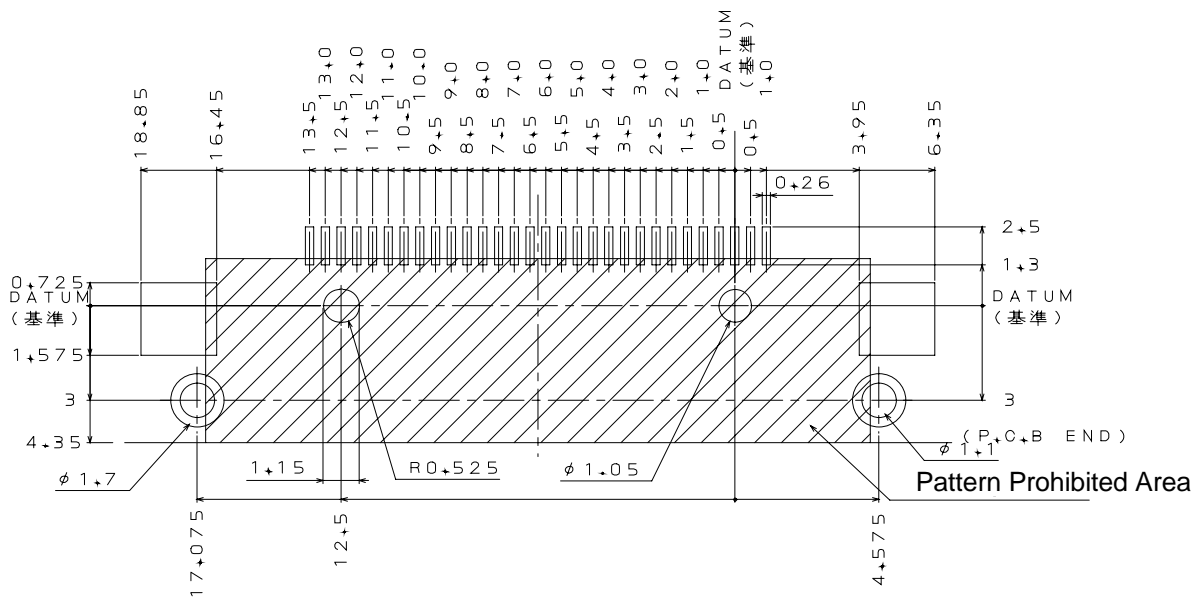
Part Number	Board anchoring method			SJ Drawing	Specification
	Hold-down	Through-hole	Boss		
DD1R030HA1	2	2	2	SJ100601	JACS-3285
DD1R030JA7	-	4	2	SJ106061	
DD1B030HA1	2	4	2	SJ100602	
DD1B030VA1	-	6	-	SJ102068	
DD1P030MA1	-	-	-	SJ100603	

Receptacle: DD1R030HA1

SJ Drawing No.: SJ100601



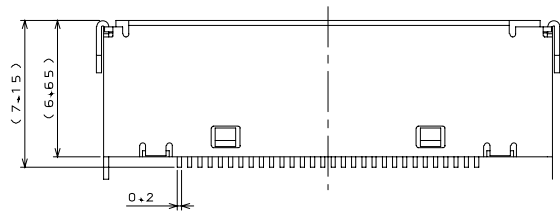
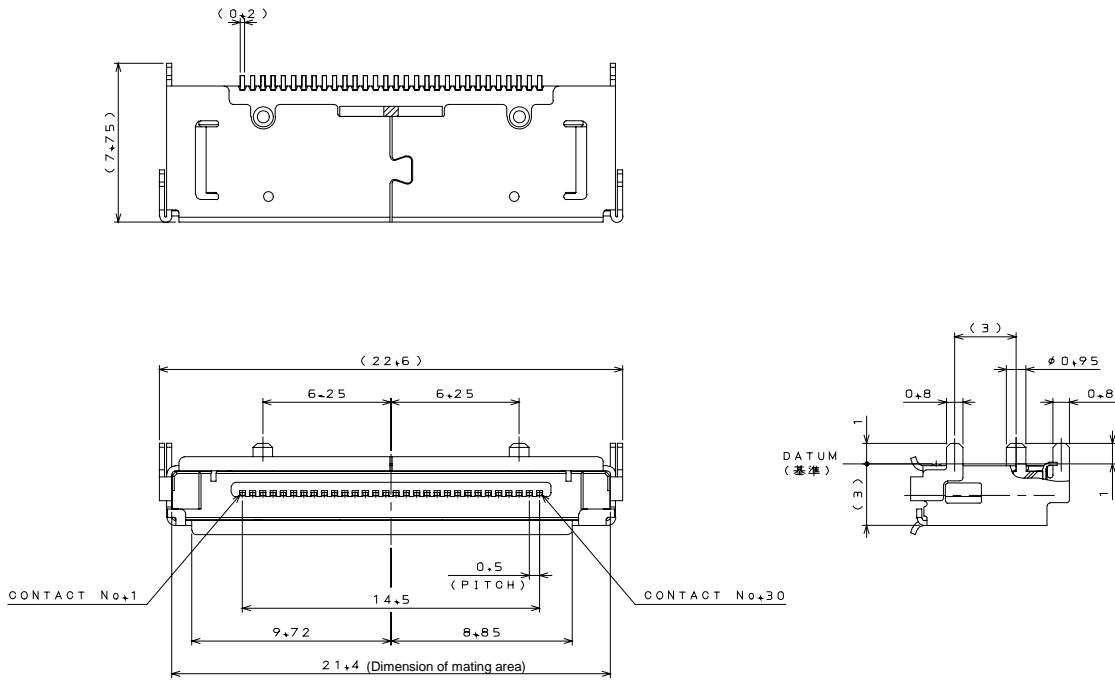
Unit: [mm]



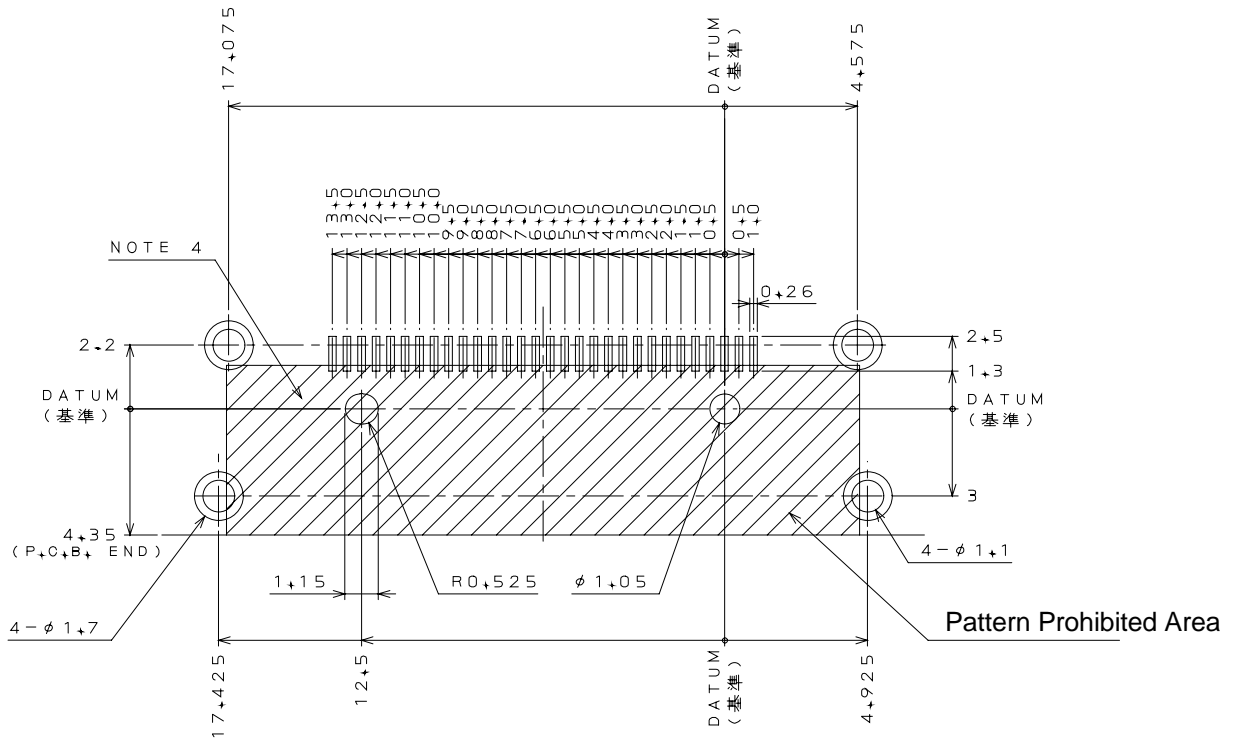
Applicable board dimension  
(for reference)

Receptacle: DD1R030JA7

SJ Drawing No.: SJ106061



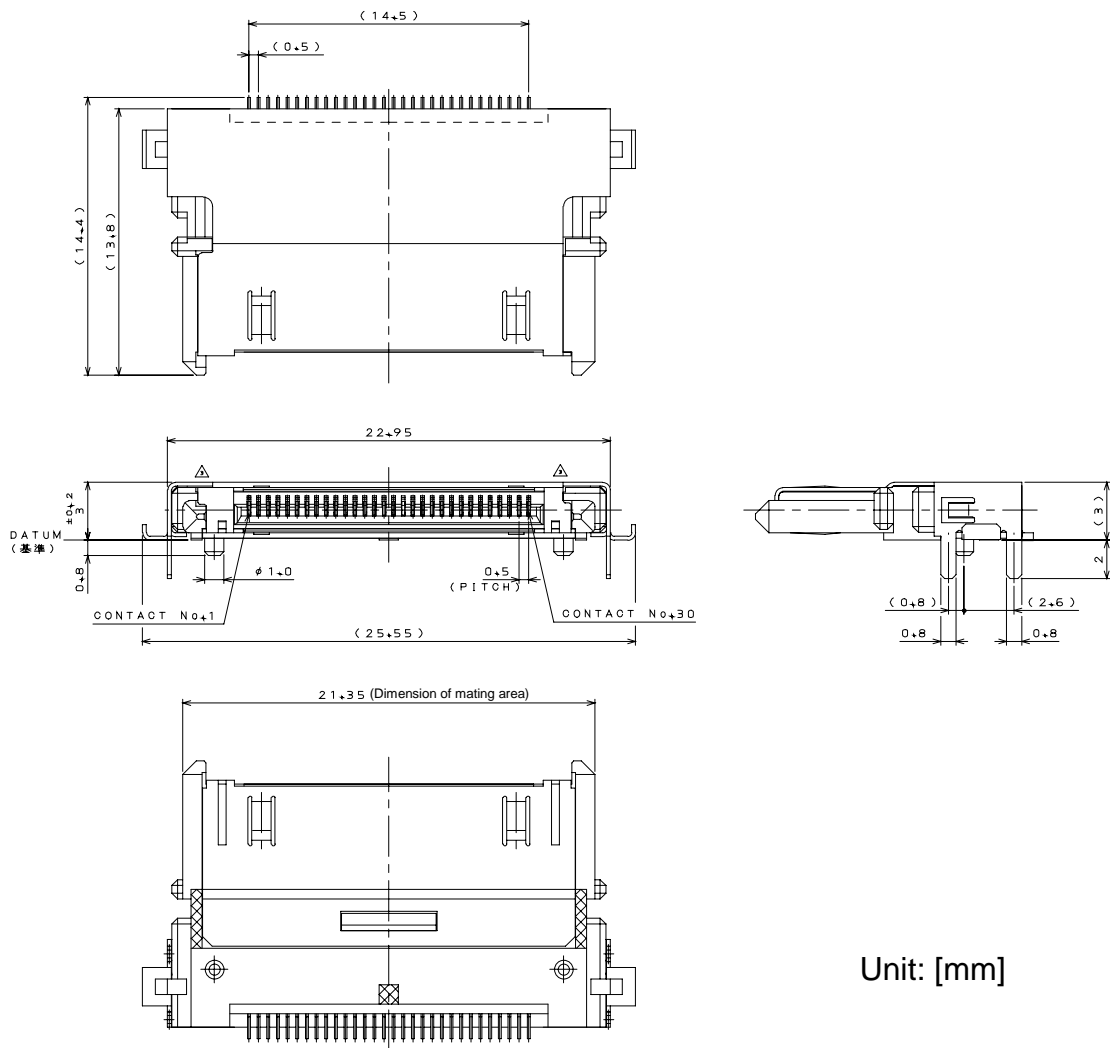
Unit: [mm]



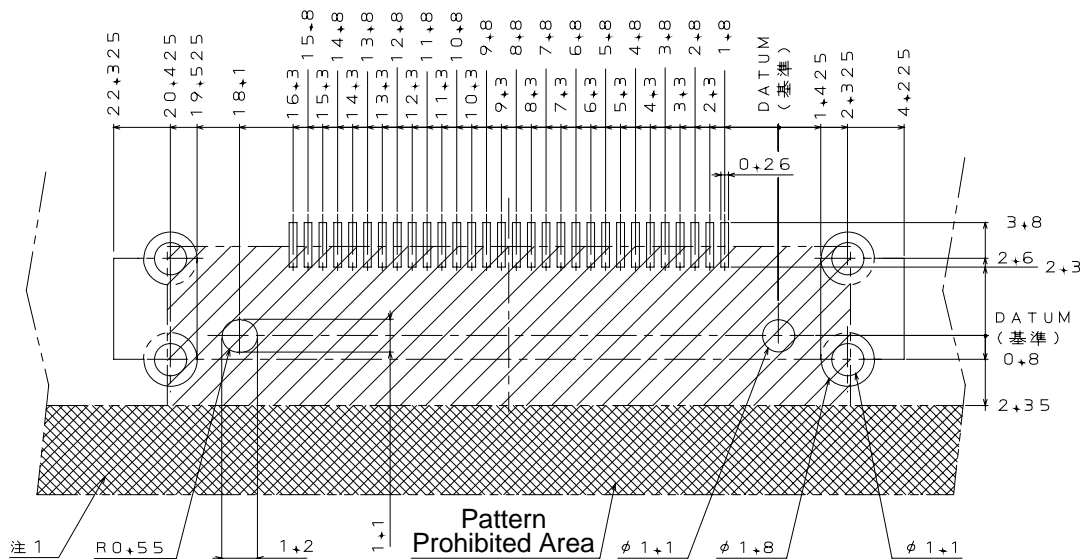
Applicable board dimension  
(for reference)

Cradle: DD1B030HA1

SJ Drawing No.: SJ100602



Unit: [mm]



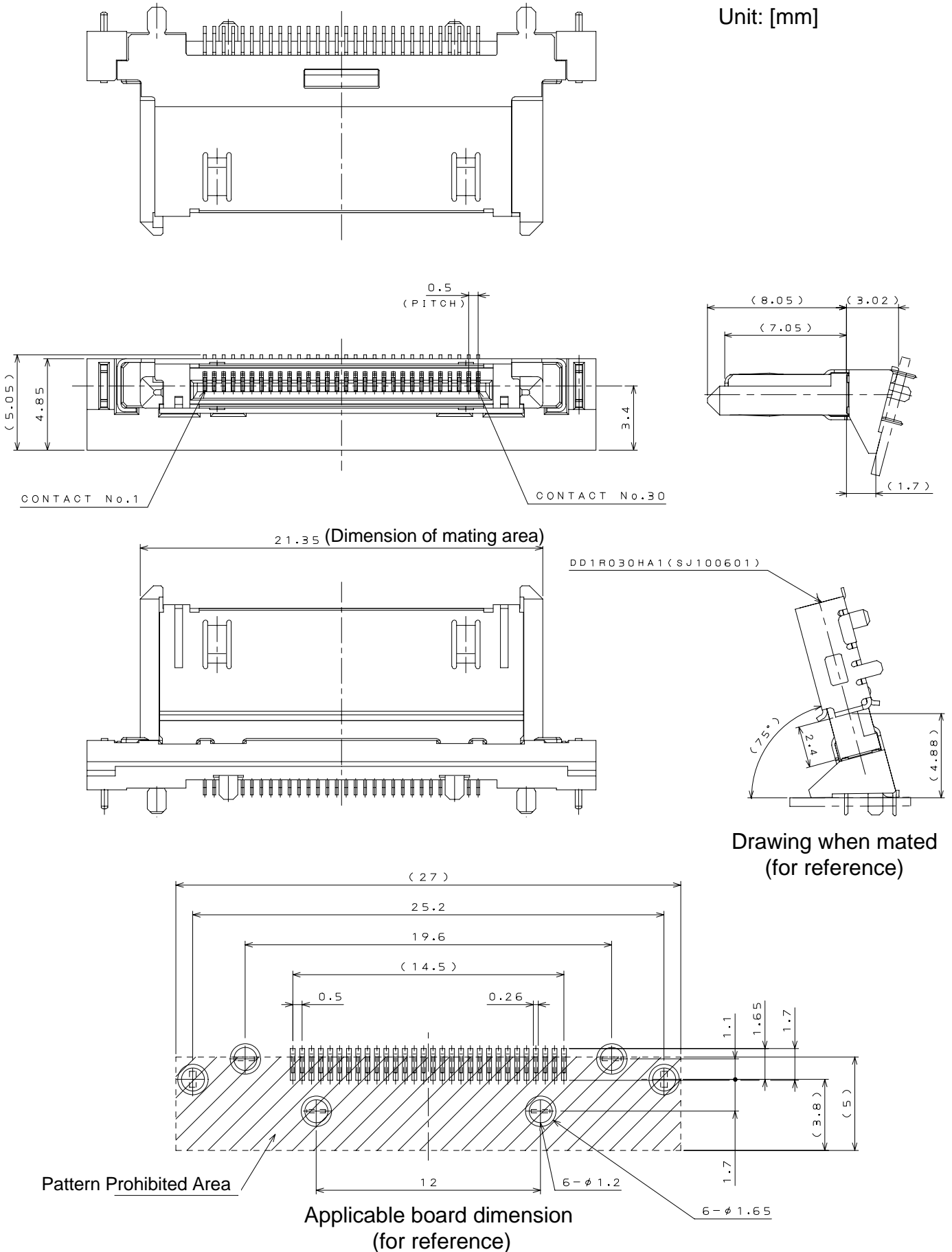
Applicable board dimension (for reference)

Note 1: This drawing shows a disposable backup board to keep connector and board in position during mounting.

Cradle: DD1B030VA1

SJ Drawing No.: SJ102068

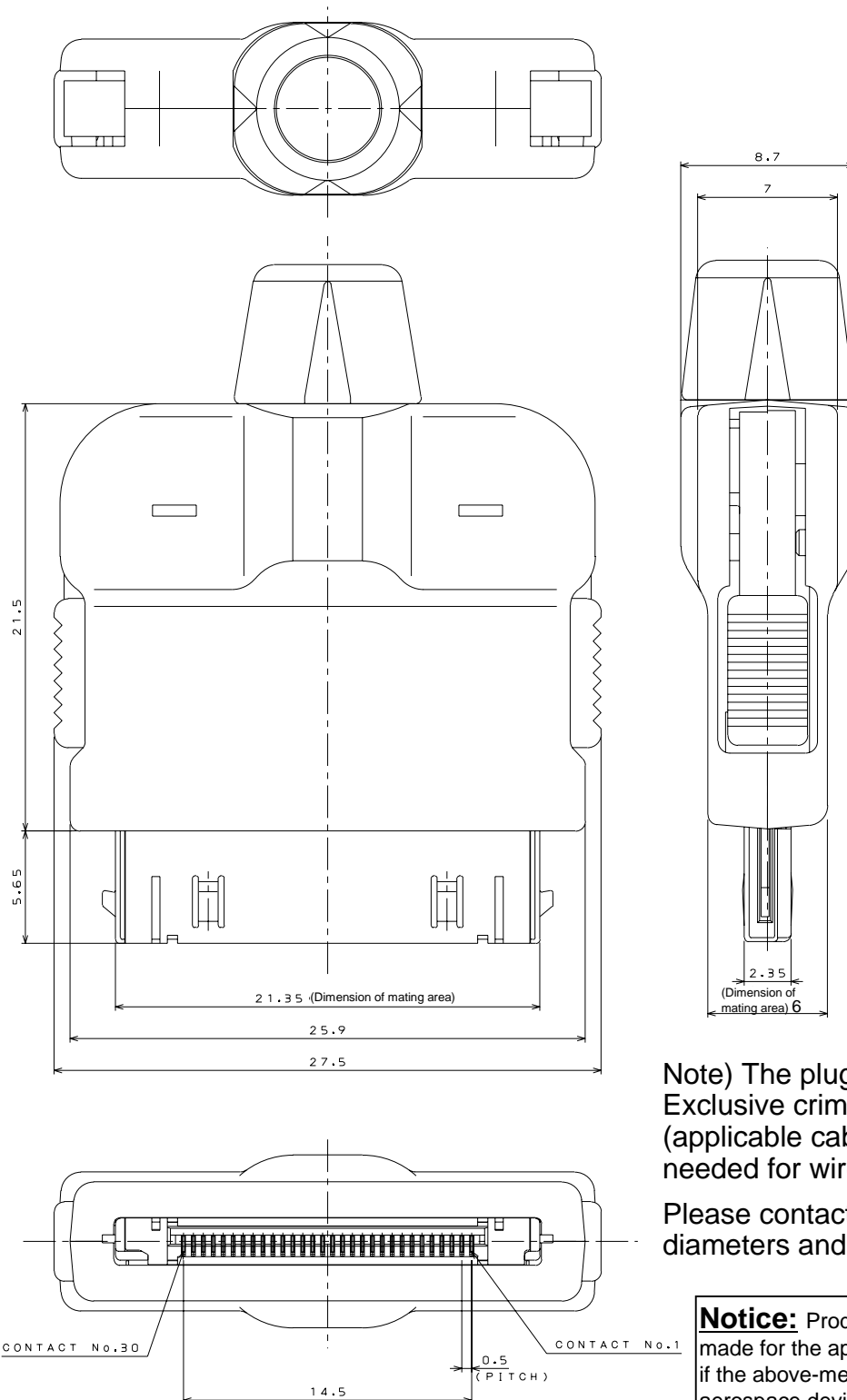
Unit: [mm]



Plug: DD1P030MA1

SJ Drawing No.: SJ100603

Unit: [mm]



Note) The plug is shipped in plug only. Exclusive crimp tool CT150-6-RH07 (applicable cable diameter 5.0 mm) is needed for wire connection and assembly.

Please contact us for other cable diameters and further information.

**Notice:** Products shown in this leaflet are made for the applications listed below. However, if the above-mentioned products are to be used in aerospace devices, marine cable-connection devices, atomic power control systems, medical equipment for life-support systems, or any other specific application requiring extremely high reliability, please contact JAE for further information.  
 Recommended applications: computers, office machines, measuring devices, telecommunication devices (terminals, mobile devices), AV devices, household applications, FA devices, etc.

**Japan Aviation Electronics Industry, Limited**

Product Marketing Division  
 Aobadai Building, 3-1-19, Aobadai, Meguro-ku, Tokyo 153-8539  
 Phone: +81-3-3780-2787 FAX: +81-3-3780-2946



## X-ON Electronics

Largest Supplier of Electrical and Electronic Components

*Click to view similar products for [I/O Connectors](#) category:*

*Click to view products by [JAE](#) manufacturer:*

Other Similar products are found below :

[571763P](#) [58098-0628](#) [72.250.1628.2](#) [72.250.2428.2](#) [74720-0505](#) [76.350.0729.0](#) [76871-1403](#) [FCN-244F080-G/1](#) [FCN-260A9920](#) [MP-5T180MUNNA-005](#) [PCR-E36PM](#) [PCS-XE26MA+](#) [G38A71314B](#) [1571250010](#) [157-22500-3](#) [MS3471L14-19P L/C](#) [192991-0703](#) [172501-4002](#) [172501-6002](#) [FCN-260C008-A/L0](#) [FCN-260C024-AL0](#) [FCN-261Z008](#) [2000314-1](#) [200331-1](#) [PCR-E36FC+](#) [PCS-E28FS+](#) [PCS-XE26SLFD+](#) [PCS-XE26SLFDT+](#) [G730VID08BDC24](#) [U90B2054081210](#) [UE86K842720321](#) [38113800006](#) [DP3AR020WQ1R200](#) [Z4.102.0680.0](#) [500-1040](#) [500-1052](#) [500-1054](#) [ZP-4008-66L](#) [0709821002](#) [DX40-20P\(55\)](#) [5554841-1](#) [MS3474W18-8P-LC\\*](#) [SM3106F14S-7S-LC](#) [U90B3054061110](#) [U65-E04-4020](#) [ZPF000000000097891](#) [557-262M2-06C](#) [747360449](#) [10099439-003C-TRLF](#) [10137239-0021LF](#)