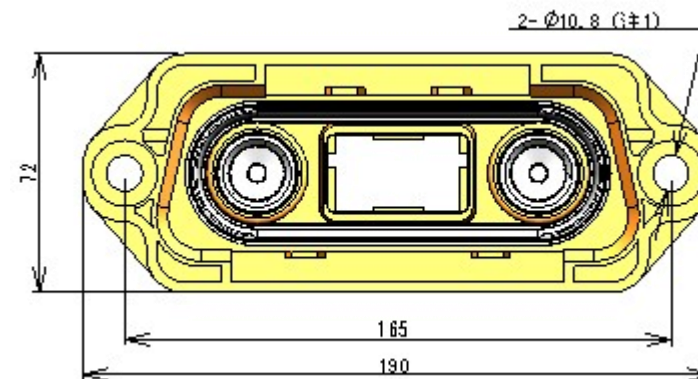
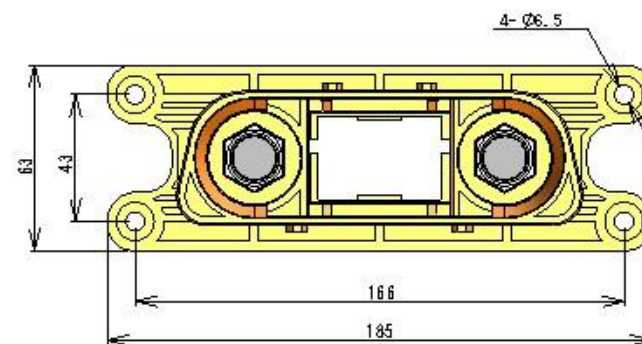


Power pins		2
Signal pins		20
Rated current	Power	500 A
	Signal	2 A
Rated voltage	Power	600 V
	Signal	100 V
Overvoltage category		4
Pollution grade		3
Temperature increase at power portion		45 C
Ambient temperature		-25 to +60 C
Allowable temp at power portion		105 C

Receptacle



Plug

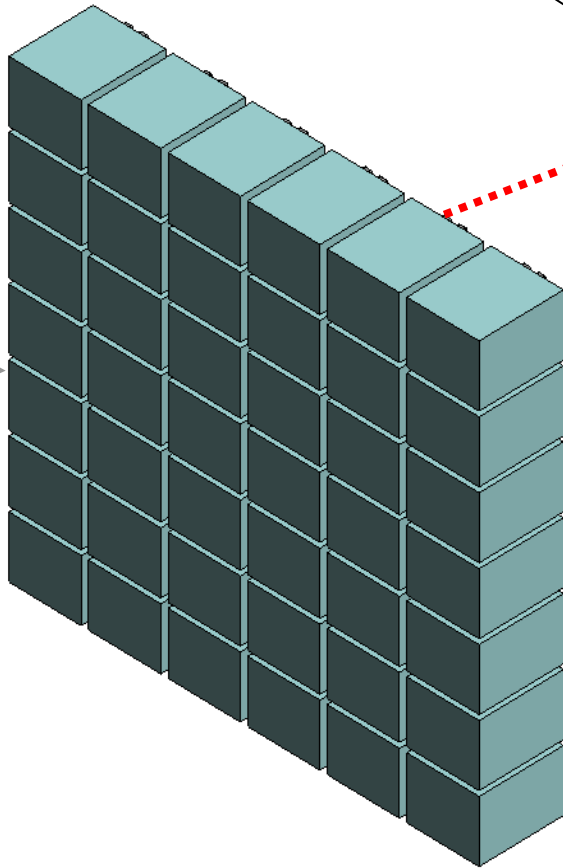
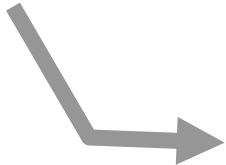


DW1 Application Example

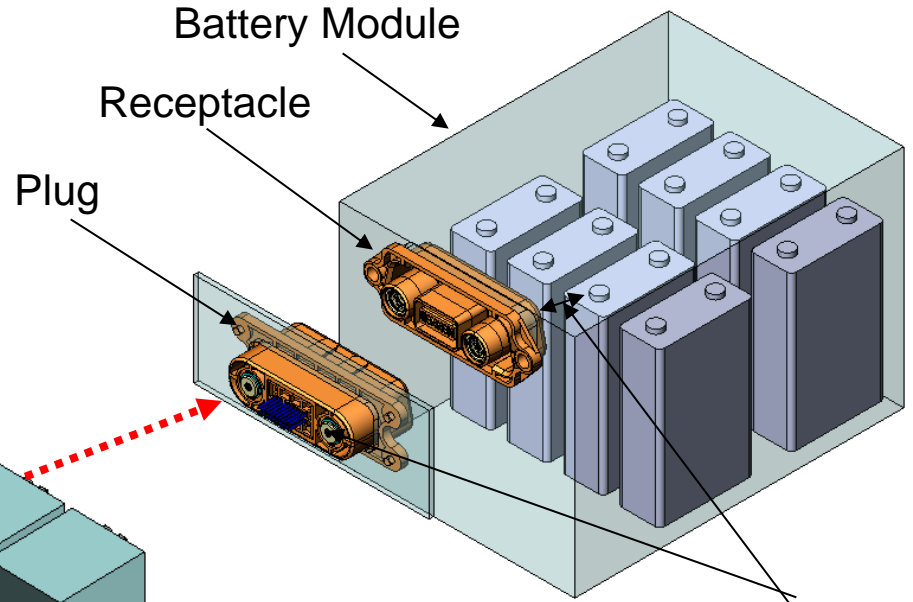


Technology to Inspire Innovation

Large-scale Power Storage



Rack and Panel



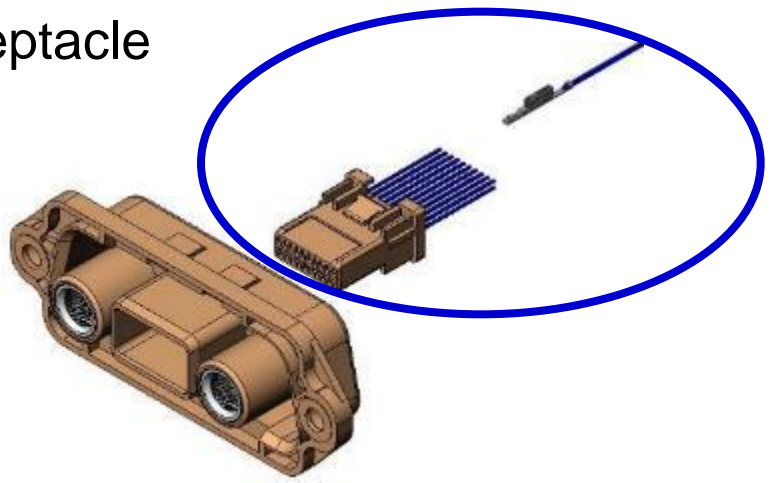
Connected by bus-bar or cable

Battery Module mounting image

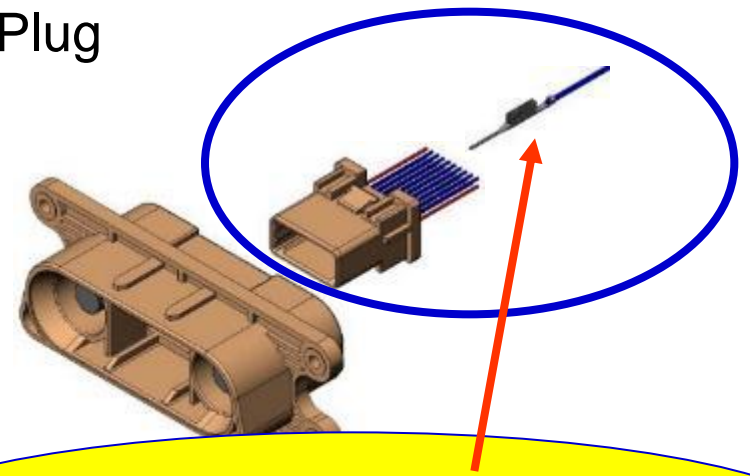
DW1 Signal Contacts

Technology to Inspire Innovation

Receptacle

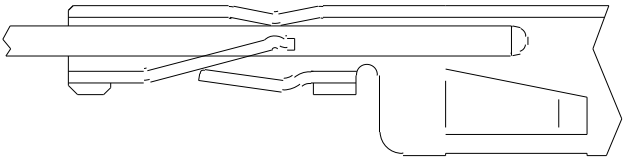


Plug



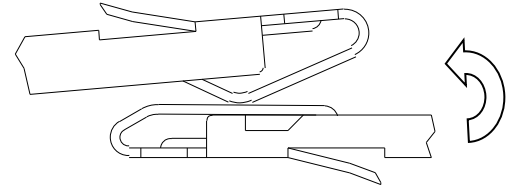
Stepped mating with a 1.5mm recessed contact line

Box-type Contact Structure



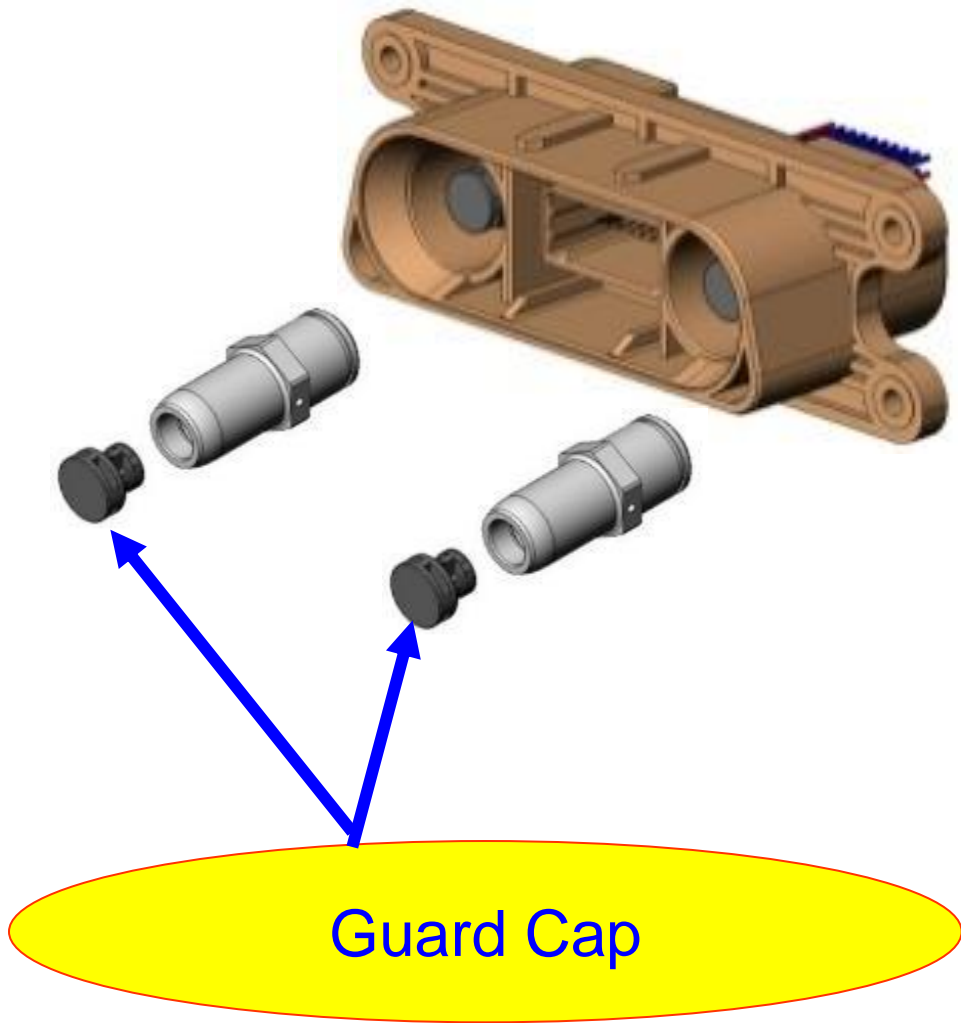
2-point contact → Steady Connection

Better than inferior bellows-type
1 point contact → weak with and dust



Same concept as high-reliability automotive contacts

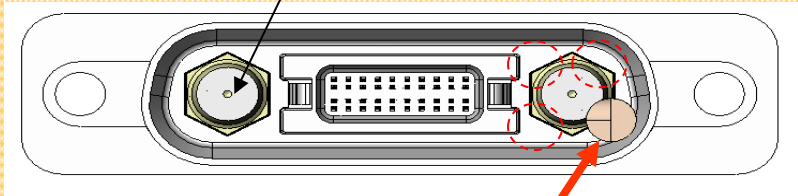
Plug



Guard Cap

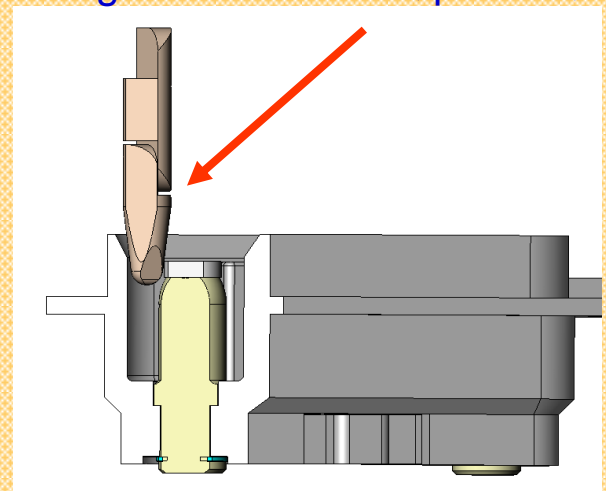
Details

Guard Cap



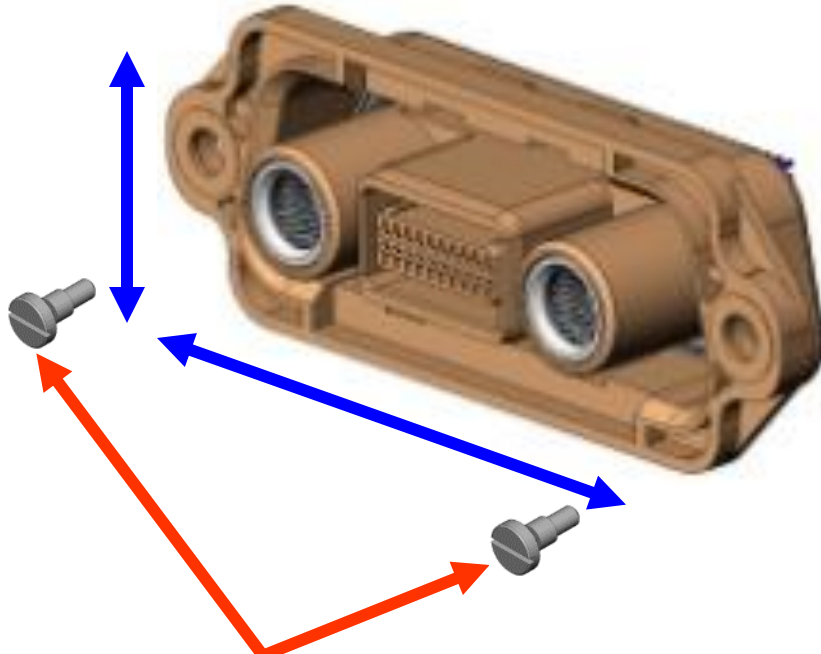
Electrical Appliance and Material Safety (J60950)

Finger test cleared ($\phi 12\text{mm}$)



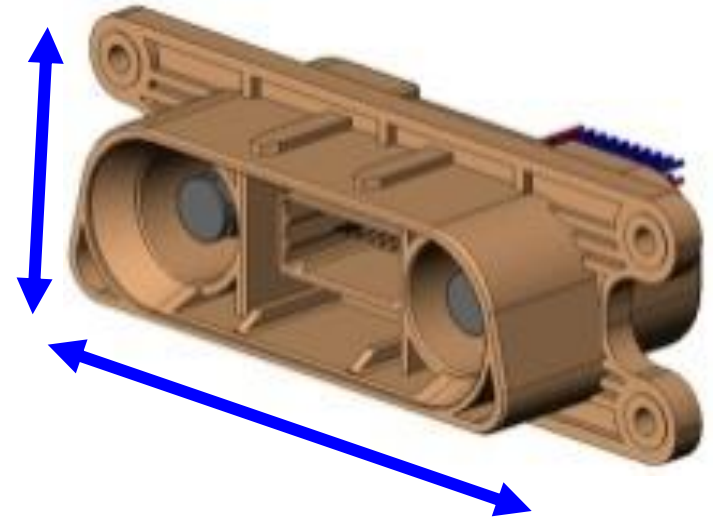
DW1 Floating Range

Receptacle



Shoulder Bolt

Plug



Floating Range
2.75mm, two-axis

Single robust insulator

X-ON Electronics

Largest Supplier of Electrical and Electronic Components

Click to view similar products for [Heavy Duty Power Connectors](#) category:

Click to view products by [JAE](#) manufacturer:

Other Similar products are found below :

[647757-1](#) [6643411-1](#) [6646058-2](#) [6646137-1](#) [6646138-1](#) [6646479-1](#) [6646608-1](#) [6646786-1](#) [6646940-1](#) [6651091-1](#) [6651525-1](#) [6651529-1](#)
[6651788-1](#) [696475-1](#) [73000005059](#) [73000005642](#) [765-15-0080A](#) [765-16-0080B](#) [829992-1](#) [902-77-02113](#) [129-1J](#) [AN0024023](#) [E6374G1](#)
[e6389g2](#) [157-43GW8](#) [MS3117-14AC](#) [1643543-1](#) [1650540-1](#) [1651811-2](#) [1766260-1](#) [1766282-1](#) [1766966-1](#) [1791340000](#) [NLDFT-3-BL-L-](#)
[S120-M40A](#) [NLDFT-N-W-L-C240-M40B](#) [NLS-2-R-C240-M40B](#) [NLS-N-W-C240-M40B](#) [NPS-3-BL-T6](#) [1986615-1](#) [2-1589900-8](#) [2199314-1](#)
[KA8102](#) [9300480317](#) [SBS50BRN#6](#) [29131](#) [29652](#) [1646905-1](#) [1648320-1](#) [1648582-1](#) [1650195-2](#)