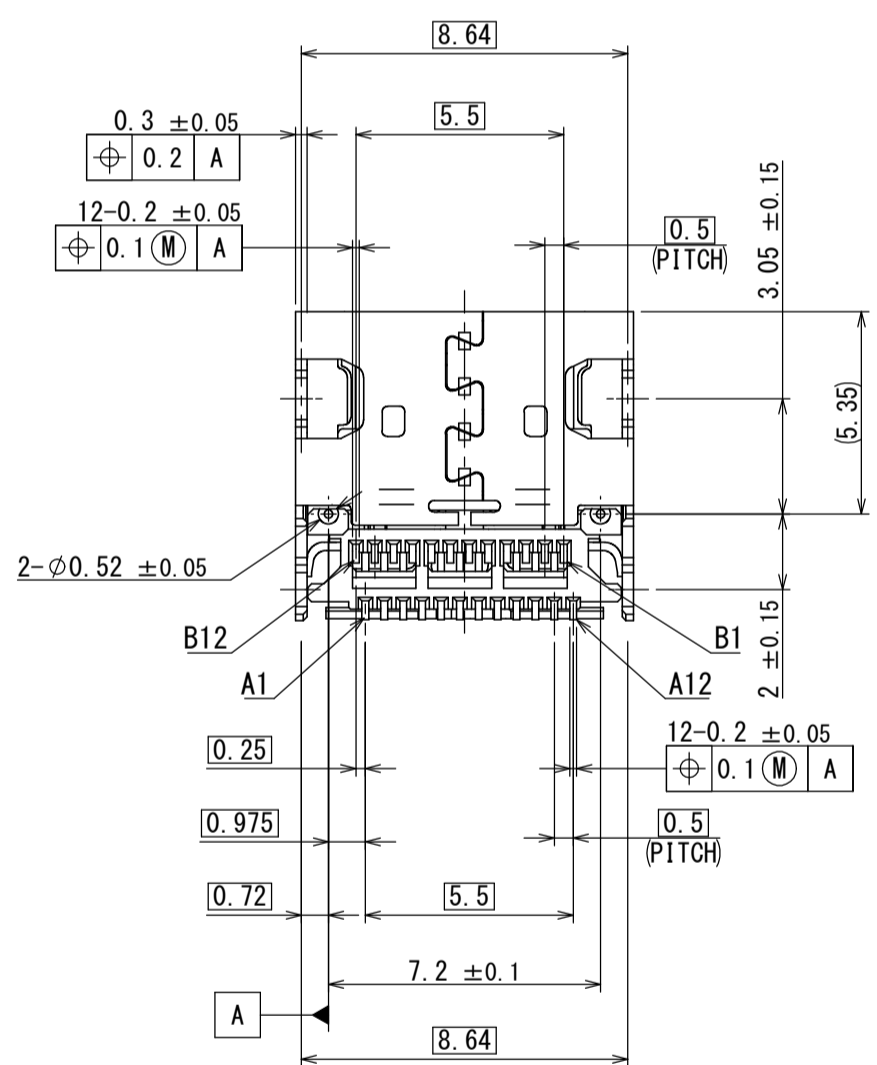
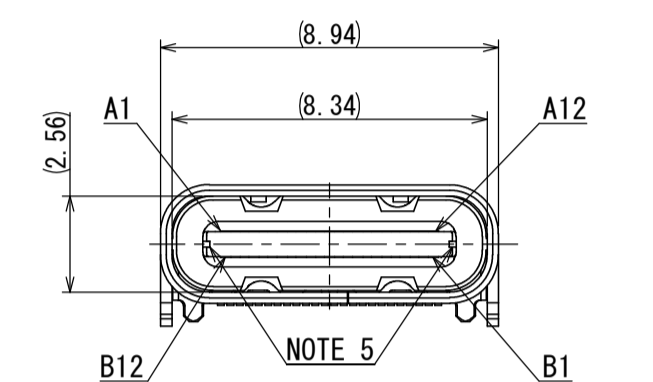
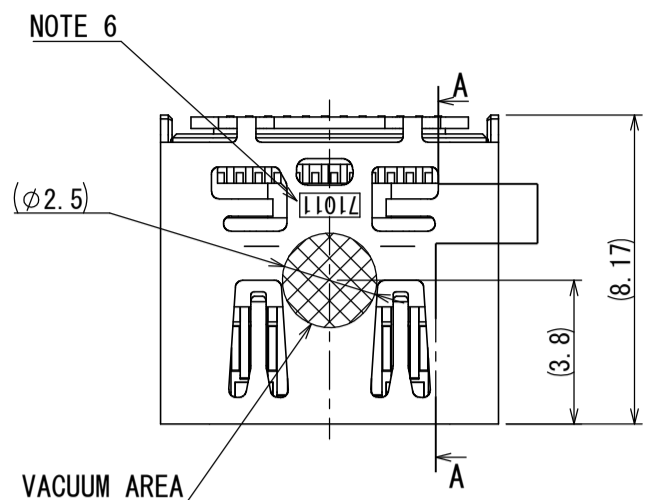
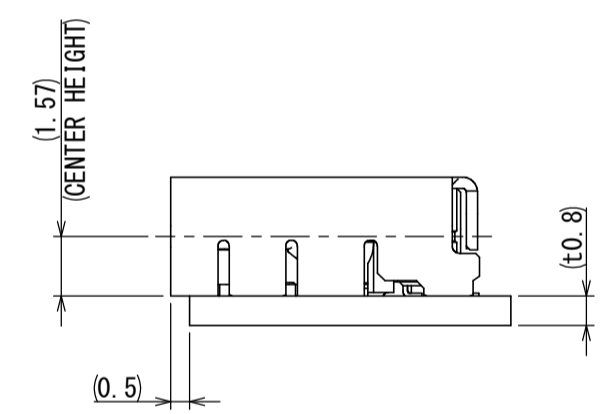
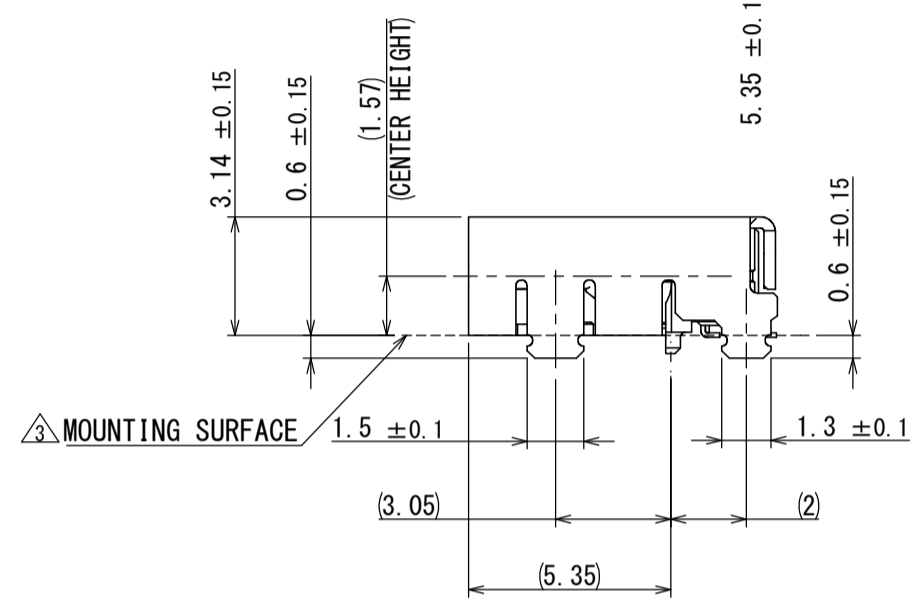


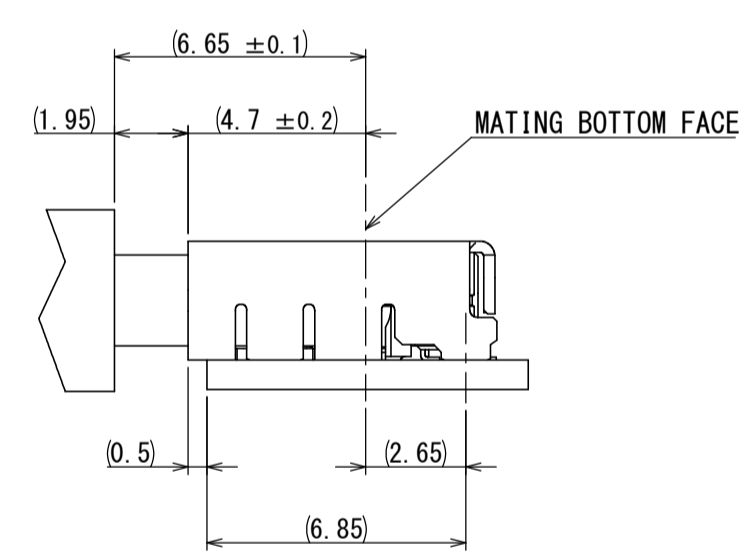
版数 VER.	年月日 DATE	CN NO.	変更内容 DESCRIPTION	製図 DR.	担当 CHK.	套開 APPD.	承認 APPD.
2	21/MAY/2018	025230	REVISED CONNECTOR APPLICATION MANUAL NO.		K. SAITOU	Y. YOKOYAMA	Y. SAITOU
3	25/JUL/2018	026056	CORRECT AN ERROR.		K. SAITOU	Y. YOKOYAMA	Y. SAITOU



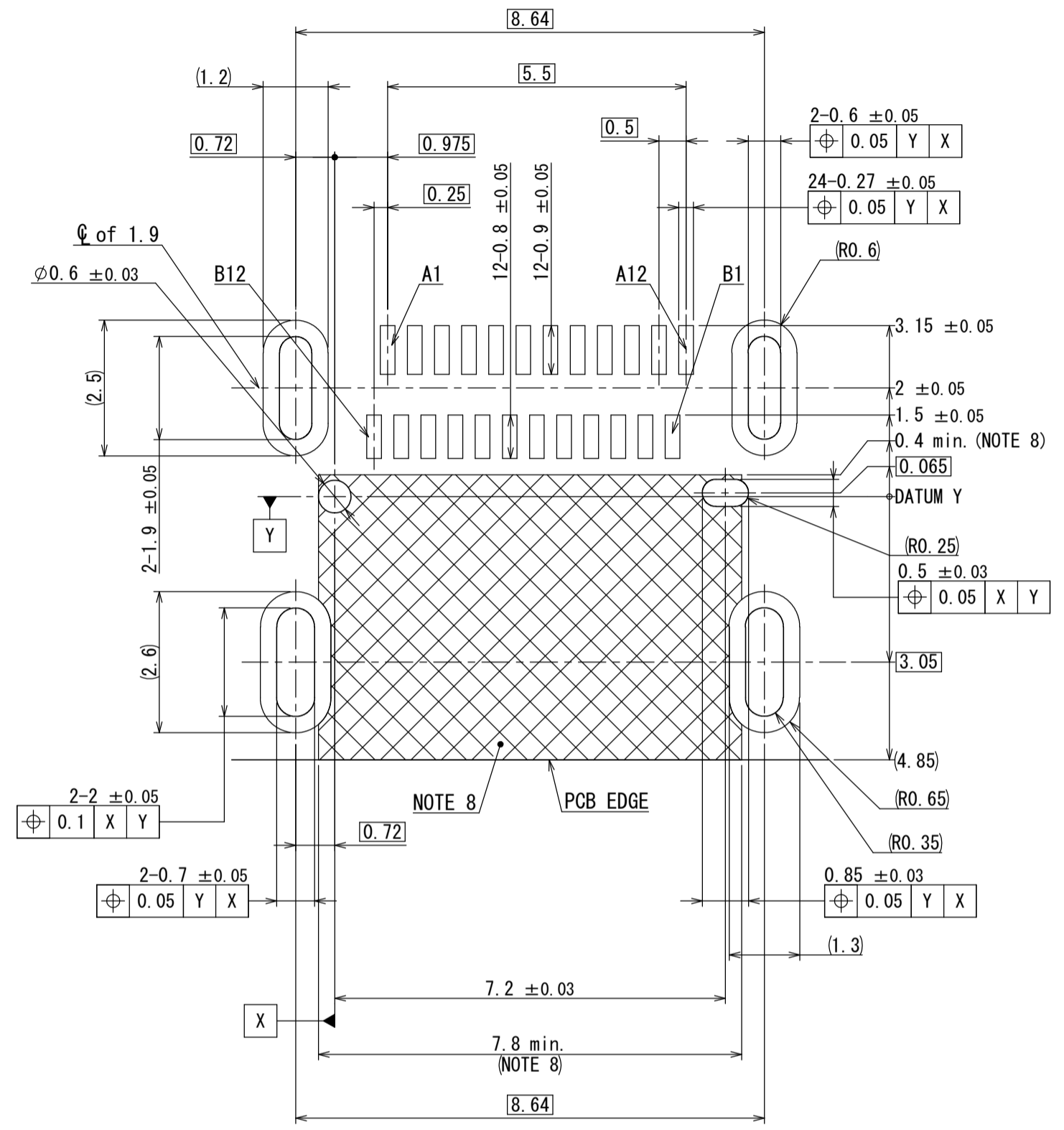
MOUNTING SURFACE



MOUNTING CONDITION (REF.)
実装状態図 (参考)



MATED CONDITION (REF.)
嵌合状態図 (参考)



SURFACE VIEW FROM CONNECTOR MOUNTING SIDE

APPLICABLE P.C.B DIMENSION (REF.)
適合基板寸法 (参考)

- NOTE 1. THIS PRODUCT IS HALOGEN-FREE PRODUCT.
 NOTE 2. COPLANARITY OF SMT TERMINAL IS 0.1 MAX.
 NOTE 3. MATING DIMENSIONS CONSIST OF "Universal Serial Bus Type-C Cable and Connector Specification Revision 1.2"
 NOTE 4. THE SHELL LENGTH IS LESS THAN THE 6.2MM RECOMMENDED IN THE USB STANDARD.
 THE SYSTEM IMPLEMENTER IS RESPONSIBLE FOR ACHIEVING END PRODUCT RELIABILITY FOR THE MATED CONNECTOR CONDITION.
 REFER TO "Universal Serial Bus Type-C Cable and Connector Specification Revision 1.2 Section 3.2.1 Note.7".
 NOTE 5. METAL EXPOSED AREA SIZE COULD BE SLIGHTLY CHANGED BASED ON MOLDING PROCESS CONDITION IN EACH LOT, HOWEVER THIS WOULD NOT AFFECT CONNECTOR FUNCTION.
 NOTE 6. LOT NUMBER IS MARKED AS INDICATED.

(EX) 7 1 01 1
 YEAR (END OF ONE DIGIT AT CHRISTIAN ERA)
 MONTH (JAN. TO SEP.: 1 TO 9, OCT.: 0, NOV.: X, DEC.: Y)
 DAY (TWO-DIGITS NUMBER)
 EQUIPMENT No. (NUMBER OR ALPHABET)

NOTE 7. PIN ASSIGNMENT (FRONT VIEW)

Pin No.	A1	A2	A3	A4	A5	A6	A7	A8	A9	A10	A11	A12
	GND	TX1+	TX1-	V _{BUS}	CC1	D+	D-	SBU1	V _{BUS}	RX2-	RX2+	GND
Pin No.	B12	B11	B10	B9	B8	B7	B6	B5	B4	B3	B2	B1
	GND	RX1+	RX1-	V _{BUS}	SBU2	D-	D+	CC2	V _{BUS}	TX2-	TX2+	GND

NOTE 8. NO PCB ROUTING ALLOWED IN THIS AREA.

符号 NO.	名称 DESCRIPTION	個数 QTY.	材料 MATERIAL	仕上 FINISH	備考 REMARKS
5	SHELL	1	STAINLESS STEEL	NICKEL PLATING	NICKEL : 0.5 μm MIN.
4	INSULATOR	1	HEAT RESISTING PLASTIC	-	COLOR BLACK
3	MID PLATE	1	STAINLESS STEEL	-	
2	CONTACT B	12	COPPER ALLOY	CONTACT AREA : GOLD OVER NICKEL	CONTACT AREA : NICKEL : 1.0 μm MIN. GOLD : 0.1 μm MIN.
1	CONTACT A	12	COPPER ALLOY	SOLDER TAILS : GOLD FLASH OVER NICKEL	

仕様書 (SPECIFICATION) JACS-30353-19 JABL-30353-5	第1版 (ORIGINAL DATE) 27/SEP/2017	尺度 (SCALE) 5:1	シリーズ (SERIES) DX07	日本航空電子工業株式会社
一般公差 (GENERAL TOLERANCE) 寸法 (DIMENSION): ±0.8 × ±0.4 ×× ±0.1 ××× ±	角度 (ANGLES): ° ± ' ± " ±	名称 (TITLE) DX07S024JA1	製図 (DRAWING NO.) SJ119361	品質 (MASS)
製造 (DR.) K. SAITOU	担当 (CHK.) T. NAITOU	承認 (APPD.) Y. SAITOU	承認 (APPD.) Y. SAITOU	備考 (REMARKS)

X-ON Electronics

Largest Supplier of Electrical and Electronic Components

Click to view similar products for [USB Connectors](#) category:

Click to view products by [JAE](#) manufacturer:

Other Similar products are found below :

[65-647-8-BK-BU](#) [950](#) [E8144-B01021-L](#) [A-USB A-LP-SMT-C](#) [A-USB B-TOP-C](#) [MUSBA511N5](#) [MUSBD11135](#) [217450-1](#) [CA 6 W LD](#)
[KMBVX-TH-5S-B30](#) [896-30-004-00-000000](#) [KUSBVX-BS1N-W30](#) [KUSBX-AP-KIT-SCBLK](#) [KUSBX-AS2N-W](#) [KUSBX-SMT2AP1S-W](#)
[KUSBX-SMT2AP1S-W30](#) [935](#) [957](#) [30-498-6](#) [17-210051](#) [1734082-1](#) [30-1574](#) [30-470](#) [30-489](#) [30-541](#) [30-572-3](#) [MAB 8 SN V](#) [A-USB A-](#)
[2P-C](#) [MIKROE-1451](#) [USBFTV2PEM2G](#) [USBFTVC6ZN](#) [KUSBX-AS2N-W30](#) [KUSBX-SLAS1N-W](#) [KUSBX-SMT-AS1N-W30](#) [4689-1](#) [1-](#)
[1734084-2](#) [E8110-001-01](#) [MUSBA81130](#) [33UBARS1-04SW11](#) [33UBAR-04SW11](#) [USBF21ZNSCC](#) [USBBFTV6ZC](#) [10135326-001LF](#)
[M9177/3-1](#) [USB-A-S-F-B-VT](#) [925](#) [4198](#) [690-024-633-031](#) [KUSBEX-BSFS1N-W](#) [USBFTVC6MRG](#)