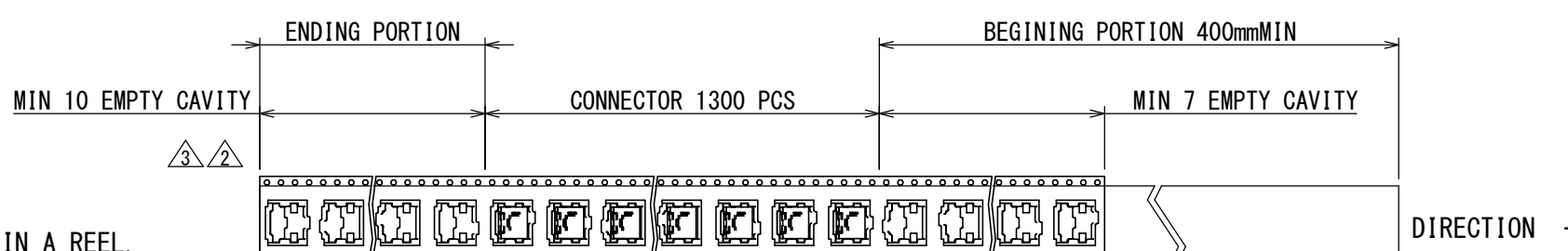
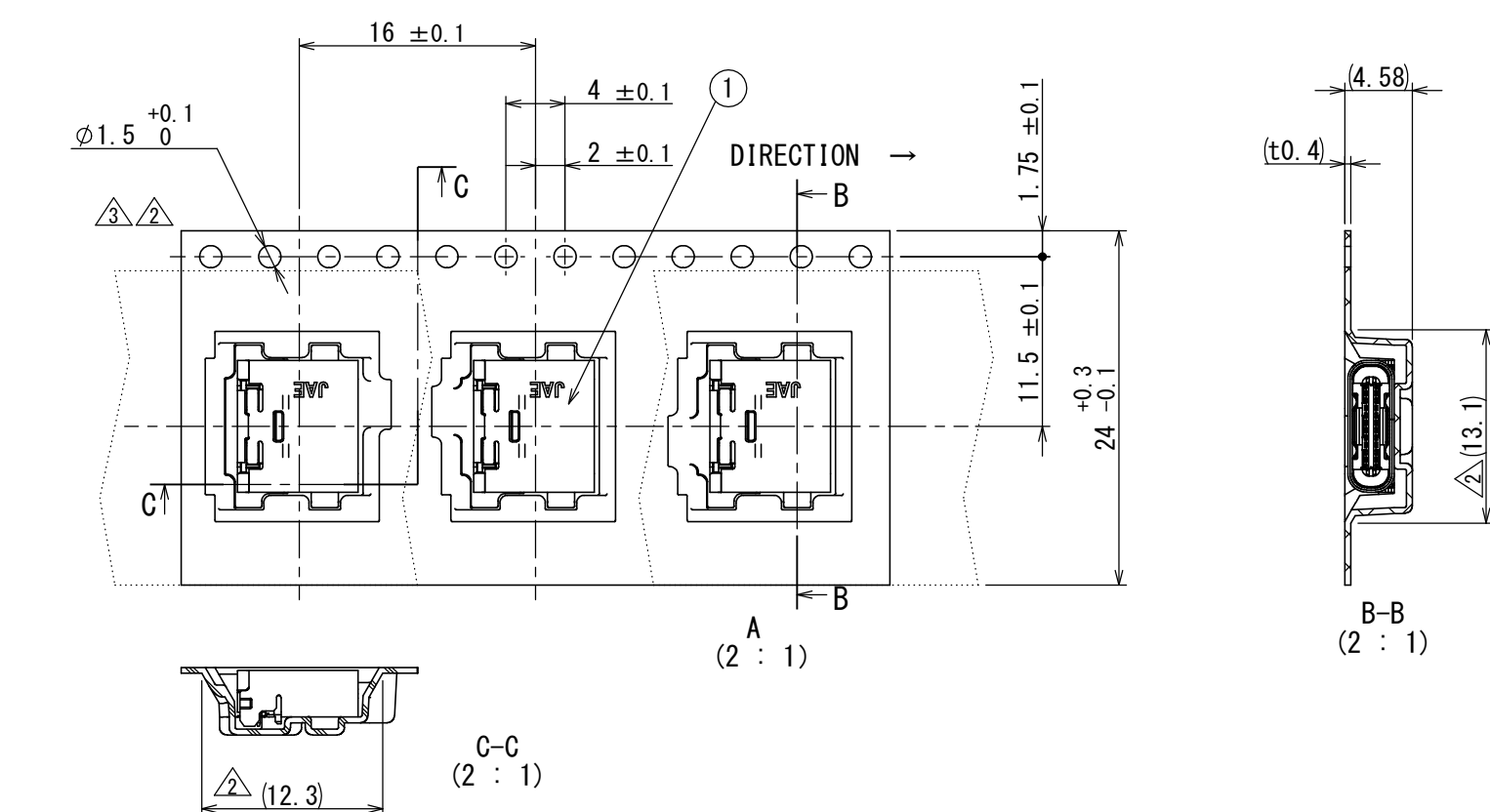
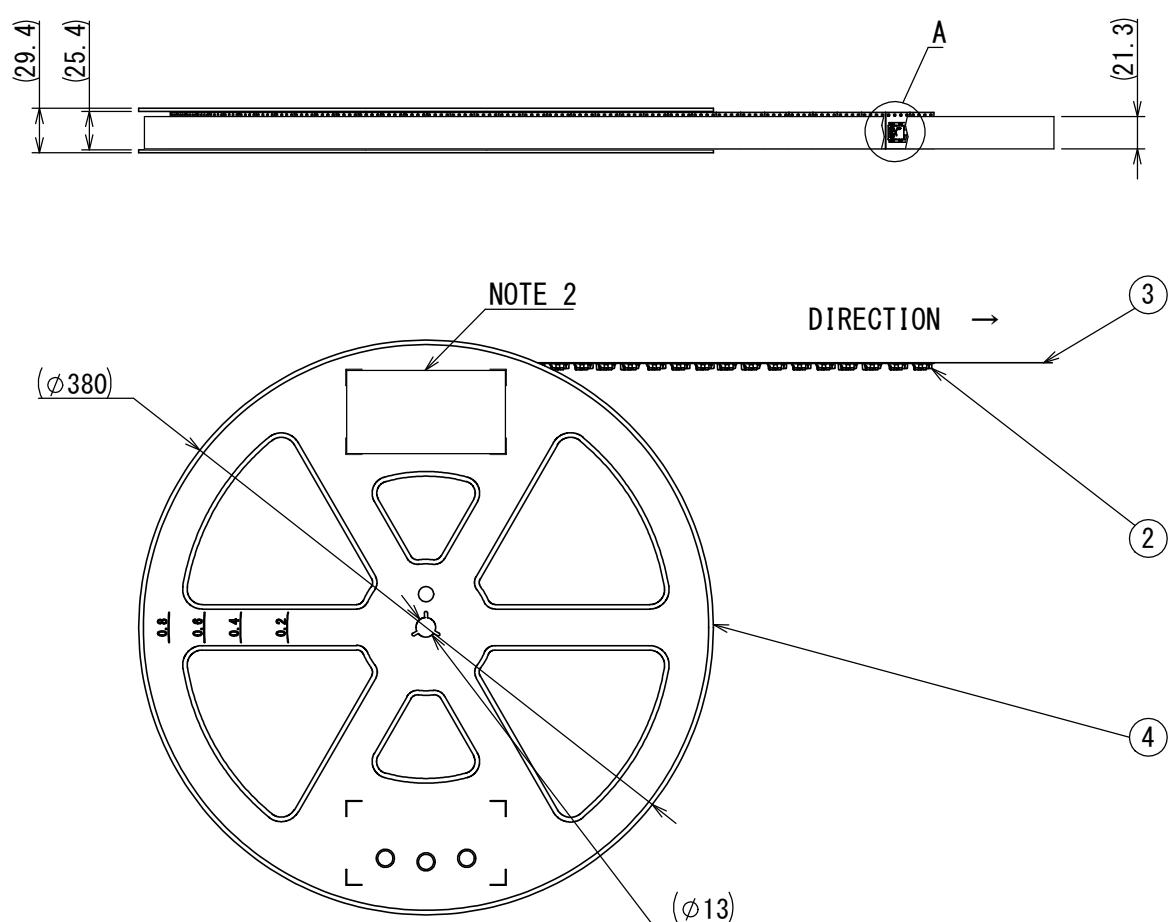


図面番号 (DRAWING NO.) SJ115849

版数 VER.	年月日 DATE	CN NO.	変更内容 DESCRIPTION	製図 DR.	担当 CHK.	査閲 APPD.	承認 APPD.
2	18/AUG/2016	017167	CHANGE OF CARRIER TAPE CONFIGURATION.		K. SAITOU	K. UEDA	Y. SAITOU
3	12/DEC/2017	023490	CHANGE OF CARRIER TAPE CONFIGURATION.		K. SAITOU	T. NAITOU	Y. SAITOU



NOTE1. SUFFIX "R1300" OF PART NUMBER "DX07S024JJ1R1300" INDICATES 1300PCS IN A REEL.
 2. THE LABEL IN WHICH DESCRIPTION, QTY, LOT NO, EMBOSS CODE AS INDICATED.
 3. REFER TO THE DRAWING "SJ115848(DX07S024JJ1)" FOR THE CONNECTOR DIMENSIONS.
 4. REEL FORM MAY DIFFER FROM THE DRAWING.

現品ラベル/ARTICLE LABEL XXXXXXXX XXXX XXXX XXXX

品名 (DESCRIPTION) DX07S024JJ1R1300 Count:001
 図番 (PART No.) SJ115849 JAE001

数量 (Q'ty) 1,300

ITEM NO
 Lot No.
 E.Code. TB2416

2015/05/14
 MADE IN JAPAN
 QCF-C-0628 (07.12)/JAPS-9006-2

24: TAPE WIDTH 16: FEED PITCH

符号 NO.	名称 DESCRIPTION	個数 QTY.	材料 MATERIAL	仕上 FINISH	備考 REMARKS
4	REEL	1	PS	-	-
3	COVER TAPE	1	PET	-	-
2	CARRIER TAPE	1	PS	-	-
1	CONNECTOR	1300	-	-	SJ115848 (DX07S024JJ1)

仕様書 (SPECIFICATION) JACS-30353	第1版 (ORIGINAL DATE) 14/MAY/2015	尺度 (SCALE) 1:5	シリーズ (SERIES) DX07	日本航空電子工業株式会社 JAE JAPAN AVIATION ELECTRONICS INDUSTRY, LTD.
一般公差 (GENERAL TOLERANCE) 寸法 (DIMENSION) × ±0.8 ×× ±0.4 ××× ±0.1 ×××× ±	角度 (ANGLES) ×° ± ×°×' ± 単位 (UNIT) : mm	製図 DR. 担当 CHK. K. UEDA 査閲 APPD. - 承認 APPD. Y. SAITOU	名称 (TITLE) DX07S024JJ1R1300	図面番号 (DRAWING NO.) SJ115849

WISDOM承認 2017/12/18

DCF-C-212H(12.08)

SIZE A3
版数 (VER.) 3

X-ON Electronics

Largest Supplier of Electrical and Electronic Components

Click to view similar products for [USB Connectors](#) category:

Click to view products by [JAE](#) manufacturer:

Other Similar products are found below :

[65-647-8-BK-BU](#) [950](#) [952](#) [E8144-B01021-L](#) [A-USB A-LP-SMT-C](#) [MUSBA511N5](#) [MUSBD11135](#) [217450-1](#) [CA 6 W LD](#) [KMBVX-TH-5S-B30](#) [896-30-004-00-000000](#) [KUSBVX-BS1N-W30](#) [KUSBX-AP-KIT-SCBLK](#) [KUSBX-AS2N-W](#) [KUSBX-SMT2AP1S-W](#) [KUSBX-SMT2AP1S-W30](#) [935](#) [957](#) [30-498-6](#) [17-210051](#) [1734082-1](#) [30-1574](#) [30-470](#) [30-489](#) [30-541](#) [30-572-3](#) [MAB 8 SN V](#) [A-USB A-2P-C](#) [MIKROE-1451](#) [USBFTV2PEM2G](#) [USBFTVC6ZN](#) [KUSBX-AS2N-W30](#) [KUSBX-SLAS1N-W](#) [KUSBX-SMT-AS1N-W30](#) [4689-1](#) [1-1734084-2](#) [E8110-001-01](#) [MUSBA81130](#) [33UBARS1-04SW11](#) [33UBAR-04SW11](#) [USBF21ZNSCC](#) [USBBFTV6ZC](#) [10135326-001LF](#) [M9177/3-1](#) [USB-A-S-F-B-VT](#) [925](#) [4198](#) [690-024-633-031](#) [KUSBEX-BSFS1N-W](#) [USBFTVC6MRG](#)