

CONNECTOR MOUNTING SURFACE SIDE VIEW  
APPLICABLE P.C.B DIMENSION (REF.)  
適合基板寸法 (参考)

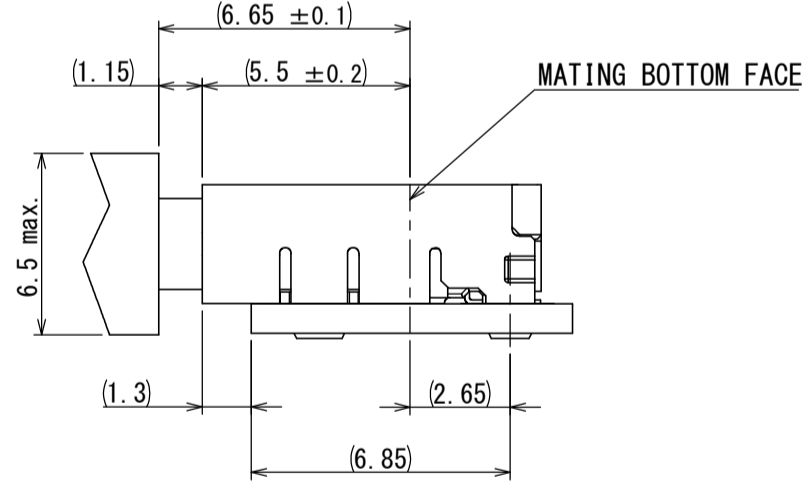
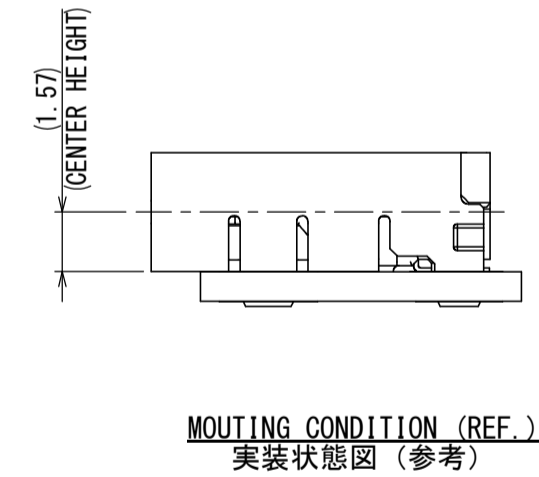
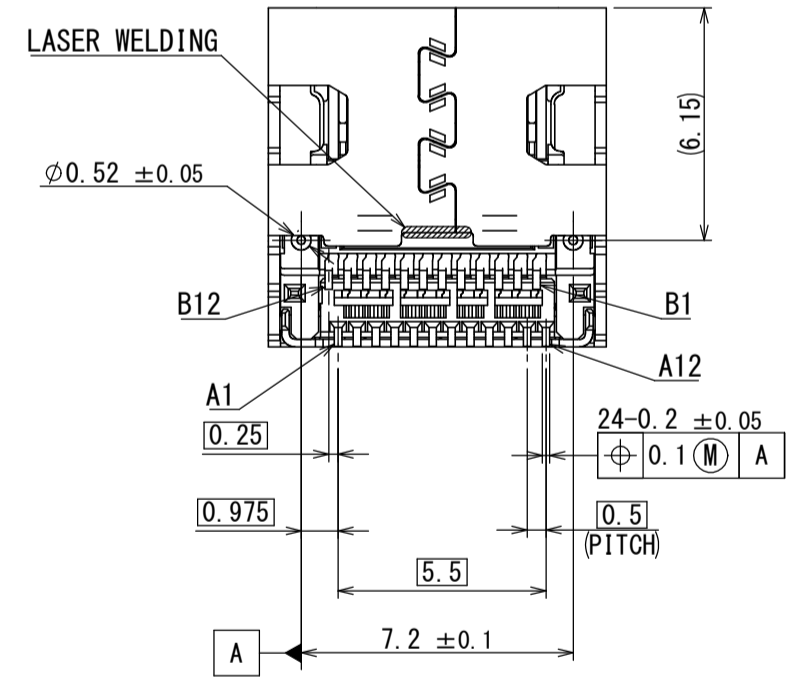


TABLE 1. CONTACT PLATING

	FINISH	PLATING THICKNESS
CONTACT AREA	GOLD FLASH OVER PALLADIUM-NICKEL OVER NICKEL	NICKEL : 2 μm MIN. PALLADIUM-NICKEL : 0.75 μm MIN. GOLD FLASH : 0.05 μm MIN.
SOLDER TAILS	GOLD FLASH OVER NICKEL	NICKEL : 2 μm MIN. GOLD FLASH : 0.03 μm MIN.

NOTE 1. THIS PRODUCT IS HALOGEN-FREE PRODUCT.  
NOTE 2. COPLANARITY OF SMT TERMINAL IS 0.1 MAX.  
NOTE 3. NO PCB ROUTING ALLOWED IN THIS AREA.  
NOTE 4. THE SHELL LENGTH IS LESS THAN THE MINIMUM REFERENCES IN THE USB TYPE C STANDARD. AS SUCH THE SYSTEM IMPLEMENTER IS RESPONSIBLE FOR ACHIEVING PRODUCT RELIABILITY. THAT THE CONNECTOR BE MOUNTED SUCH THAT ALL FUNCTIONAL USB REQUIREMENTS ARE MET.  
NOTE 5. LOT NUMBER IS MARKED AS INDICATED.  
(EX) 5 Y 18 1

(END OF ONE DIGIT AT CHRISTIAN ERA)  
(JAN. TO SEP. : 1 TO 9, OCT. : 0, NOV. : X, DEC. : Y)  
(TWO-DIGITS NUMBER)  
(NUMBER OR ALPHABET)

NOTE 6. PIN ASSIGNMENT (FRONT VIEW)

Pin No.	A1	A2	A3	A4	A5	A6	A7	A8	A9	A10	A11	A12
	GND	TX1+	TX1-	V <sub>BUS</sub>	CC1	D+	D-	SBU1	V <sub>BUS</sub>	RX2-	RX2+	GND
Pin No.	B12	B11	B10	B9	B8	B7	B6	B5	B4	B3	B2	B1
	GND	RX1+	RX1-	V <sub>BUS</sub>	SBU2	D-	D+	CC2	V <sub>BUS</sub>	TX2-	TX2+	GND

符号 No.	名称 DESCRIPTION	個数 QTY.	材料 MATERIAL	仕上 FINISH	備考 REMARKS
8	INSULATOR 2	1	HEAT RESISTING PLASTIC	COLOR:BLACK	
7	REAR SHIELD	1	STAINLESS STEEL	NICKEL PLATING	
6	SHELL	1	STAINLESS STEEL	NICKEL PLATING	
5	GND PLATE	2	STAINLESS STEEL	NICKEL PLATING	
4	MID PLATE	1	STAINLESS STEEL	NICKEL PLATING	
3	INSULATOR 1	1	HEAT RESISTING PLASTIC	COLOR:BLACK	
2	CONTACT B	12	COPPER ALLOY	TABLE 1	
1	CONTACT A	12	COPPER ALLOY	TABLE 1	

仕様書(SPECIFICATION) JACS-30353	第1版(ORIGINAL DATE) 18/DEC/2015	尺度(SCALE) 5:1	シリーズ(SERIES) DX07	日本航空電子工業株式会社
製図 DR.	担当 CHK. K. SAITOU	名称(TITLE) DX07S024JJ4	JAPAN AVIATION ELECTRONICS INDUSTRY, LTD. 図面番号(DRAWING NO.) SJ117264	
一般公差(GENERAL TOLERANCE) 寸法(DIMENSION): ±0.8 × ±0.4 ×× ±0.1 ××× ±	角度(ANGLES): ×° ± ×' ±	査閲 APPD. 承認 APPD. Y. SAITOU		
単位(UNIT): mm		質量(MASS)	1 1	

## X-ON Electronics

Largest Supplier of Electrical and Electronic Components

*Click to view similar products for [USB Connectors](#) category:*

*Click to view products by [JAE](#) manufacturer:*

Other Similar products are found below :

[65-647-8-BK-BU](#) [950](#) [E8144-B01021-L](#) [A-USB A-LP-SMT-C](#) [A-USB B-TOP-C](#) [MUSBA511N5](#) [MUSBD11135](#) [217450-1](#) [CA 6 W LD](#)  
[KMBVX-TH-5S-B30](#) [896-30-004-00-000000](#) [KUSBVX-BS1N-W30](#) [KUSBX-AP-KIT-SCBLK](#) [KUSBX-AS2N-W](#) [KUSBX-SMT2AP1S-W](#)  
[KUSBX-SMT2AP1S-W30](#) [935](#) [957](#) [30-498-6](#) [17-210051](#) [1734082-1](#) [30-1574](#) [30-470](#) [30-489](#) [30-541](#) [30-572-3](#) [MAB 8 SN V](#) [A-USB A-](#)  
[2P-C](#) [MIKROE-1451](#) [USBFTV2PEM2G](#) [USBFTVC6ZN](#) [KUSBX-AS2N-W30](#) [KUSBX-SLAS1N-W](#) [KUSBX-SMT-AS1N-W30](#) [4689-1](#) [1-](#)  
[1734084-2](#) [E8110-001-01](#) [MUSBA81130](#) [33UBARS1-04SW11](#) [33UBAR-04SW11](#) [USBF21ZNSCC](#) [USBBFTV6ZC](#) [10135326-001LF](#)  
[M9177/3-1](#) [USB-A-S-F-B-VT](#) [925](#) [4198](#) [690-024-633-031](#) [KUSBEX-BSFS1N-W](#) [USBFTVC6MRG](#)