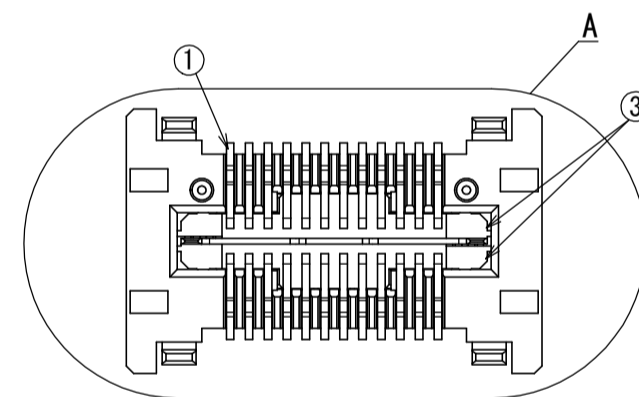
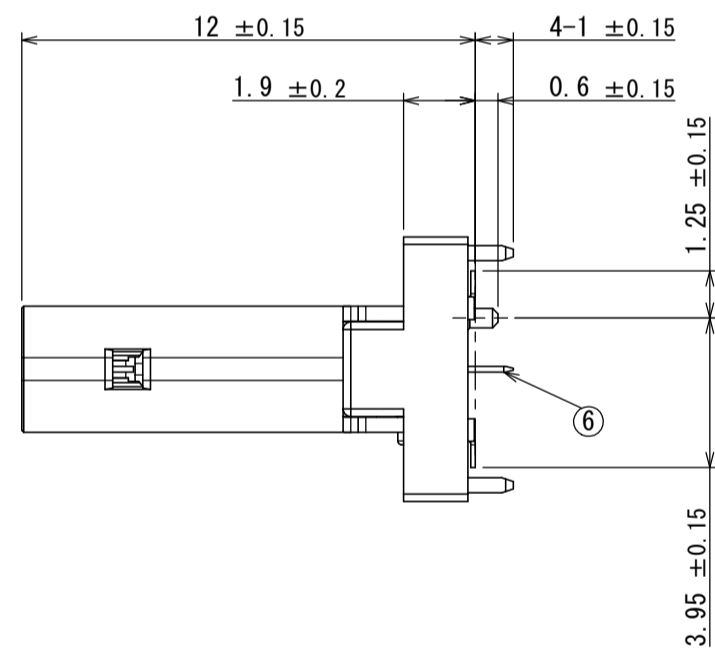
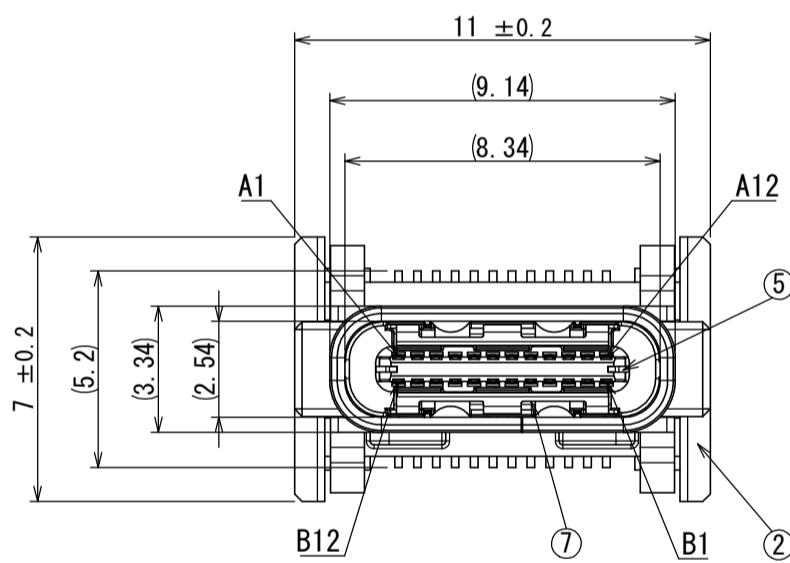


APPLICABLE P.C.B DIMENSION (REF.)
適合基板寸法 (参考)

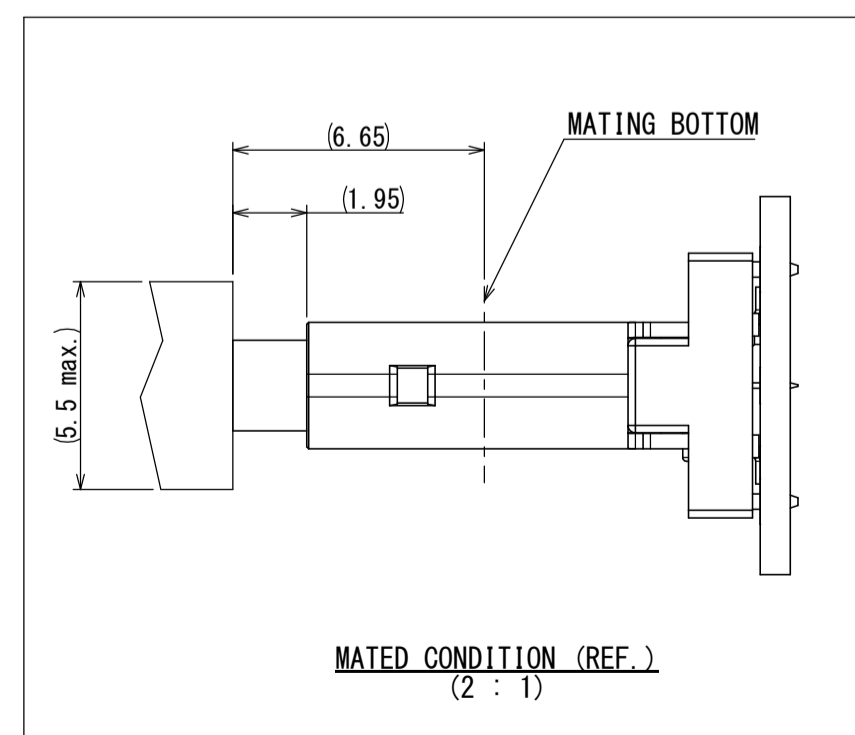
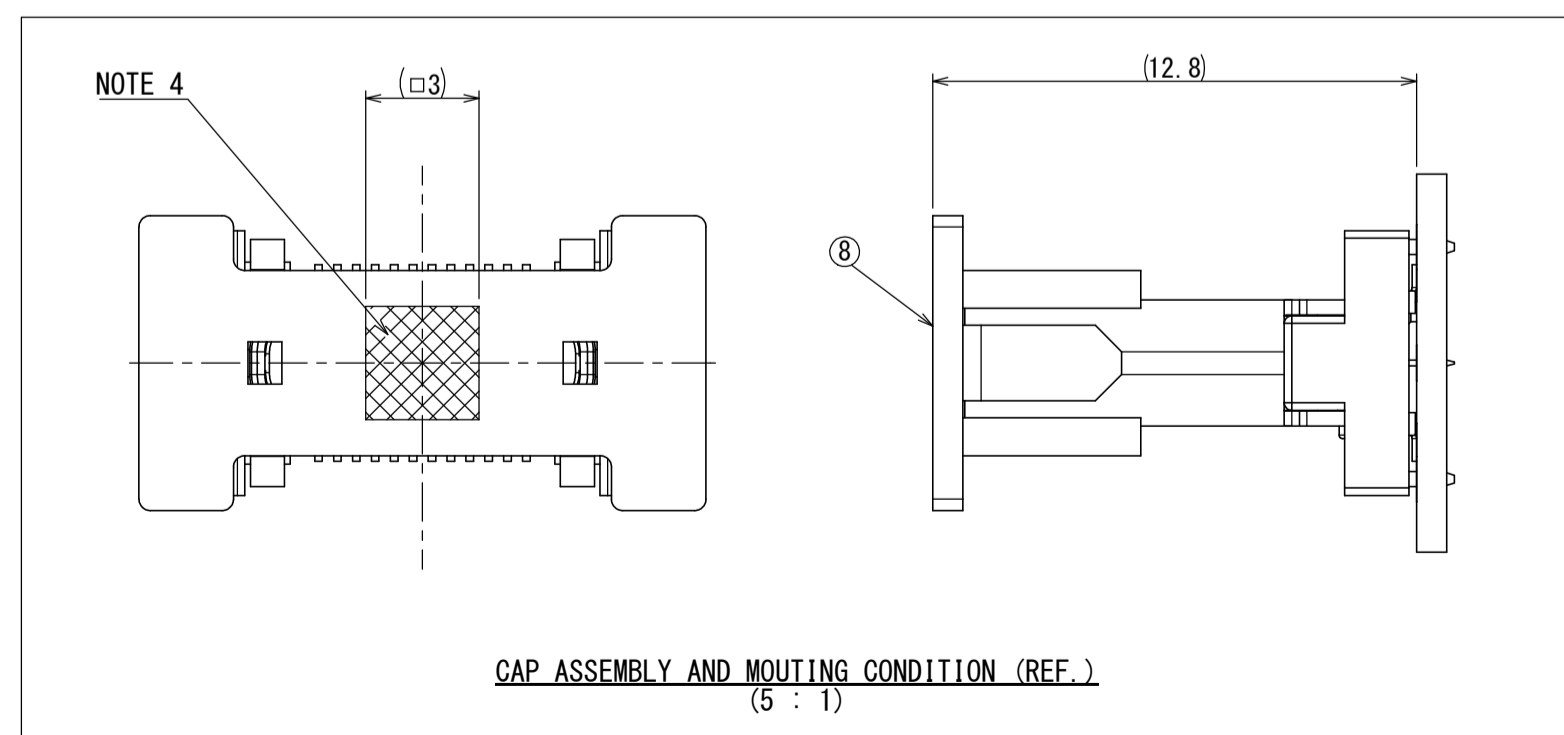


- NOTE 1. COPLANARITY OF SMT TERMINAL SHALL BE 0.1 MAXIMUM.
NOTE 2. MATING DIMENSIONS CONSIST OF "Universal Serial Bus Type-C Cable and Connector Specification Revision 1.1"
NOTE 3. THE SHELL LENGTH IS LESS THAN THE MINIMUM SPECIFIED BY THE USB TYPE C STANDARD. AS SUCH IT CANNOT INDEPENDENTLY BE GUARANTEED TO MEET ALL TYPE C MECHANICAL REQUIREMENTS. REFERENCE THE USB TYPE C SPECIFICATION RELEASE 1.1, SECTION 3.2.1, NOTE 7.
NOTE 4. VACUUM AREA.
NOTE 5. LOT NO. IS MARKED AS SHOWN IN BELOW FIGURE MARKING.
(EX.) 5 Y 0 3
-5 : MANUFACTURE YEAR. (LAST 1 DIGIT OF A.D.)
-Y : MANUFACTURE MONTH. (JAN. TO SEP. : 1 TO 9, OCT. : 0, NOV. : X, DEC. : Y)
-03 : MANUFACTURE DAY. (1 TO 31)

TABLE1. PIN ASSIGNMENT (FRONT VIEW)

Pin No.	A1	A2	A3	A4	A5	A6	A7	A8	A9	A10	A11	A12
	GND	TX1+	TX1-	V _{BUS}	CC1	D+	D-	SBU1	V _{BUS}	RX2-	RX2+	GND
Pin No.	B12	B11	B10	B9	B8	B7	B6	B5	B4	B3	B2	B1
	GND	RX1+	RX1-	V _{BUS}	SBU2	D-	D+	CC2	V _{BUS}	TX2-	TX2+	GND

8	CAP	1	THERMOPLASTIC RESIN	COLOR:BLACK
7	GND PLATE	2	STAINLESS STEEL	NICKEL PLATING
6	MID PLATE 2	1	STAINLESS STEEL	NICKEL PLATING
5	MID PLATE 1	1	STAINLESS STEEL	NICKEL PLATING
4	SHELL	1	STAINLESS STEEL	NICKEL PLATING
3	INSULATOR 2	2	THERMOPLASTIC RESIN	COLOR:BLACK
2	INSULATOR 1	1	THERMOPLASTIC RESIN	COLOR:BLACK
1	CONTACT	24	COPPER ALLOY	CONTACT AREA NICKEL: 2 μm MIN. PALLADIUM-NICKEL: 0.75 μm MIN. GOLD FLASH: 0.05 μm MIN. SOLDER TAILS: NICKEL: 2 μm MIN. GOLD FLASH: 0.03 μm MIN.



仕様書(SPECIFICATION) JACS-30368※	第1版(ORIGINAL DATE) 20/JAN/2016	尺度(SCALE) 5:1	シリーズ(SERIES) DX07	日本航空電子工業株式会社
一般公差(GENERAL TOLERANCE)	製図 DR.	名称(TITLE) DX07S024WJ1		JAE JAPAN AVIATION ELECTRONICS INDUSTRY, LTD.
寸法(DIMENSION): ±0.8 × ±0.4 ×× ±0.1 ××× ±	担当 CHK. S. YAMAGUCHI 査閲 APPD. M. SASAKI 承認 APPD. T. MASUMOTO	図面番号(DRAWING NO.) SJ117219		
単位(UNIT): mm	質量(MASS)	品質(MASS)		版数(VER.) 1

X-ON Electronics

Largest Supplier of Electrical and Electronic Components

Click to view similar products for [USB Connectors](#) category:

Click to view products by [JAE](#) manufacturer:

Other Similar products are found below :

[65-647-8-BK-BU](#) [950](#) [952](#) [E8144-B01021-L](#) [A-USB A-LP-SMT-C](#) [A-USB B-TOP-C](#) [MUSBA511N5](#) [MUSBD11135](#) [217450-1](#) [CA 6 W LD](#)
[KMBVX-TH-5S-B30](#) [896-30-004-00-000000](#) [KUSBVX-BS1N-W30](#) [KUSBX-AP-KIT-SCBLK](#) [KUSBX-AS2N-W](#) [KUSBX-SMT2AP1S-W](#)
[KUSBX-SMT2AP1S-W30](#) [935](#) [957](#) [30-498-6](#) [17-210051](#) [1734082-1](#) [30-1574](#) [30-470](#) [30-489](#) [30-541](#) [30-572-3](#) [MAB 8 SN V](#) [A-USB A-](#)
[2P-C](#) [MIKROE-1451](#) [USBFTV2PEM2G](#) [USBFTVC6ZN](#) [KUSBX-AS2N-W30](#) [KUSBX-SLAS1N-W](#) [KUSBX-SMT-AS1N-W30](#) [4689-1](#) [1-](#)
[1734084-2](#) [E8110-001-01](#) [MUSBA81130](#) [33UBARS1-04SW11](#) [33UBAR-04SW11](#) [USBF21ZNSCC](#) [USBBFTV6ZC](#) [10135326-001LF](#)
[M9177/3-1](#) [USB-A-S-F-B-VT](#) [925](#) [4198](#) [690-024-633-031](#) [KUSBEX-BSFS1N-W](#)