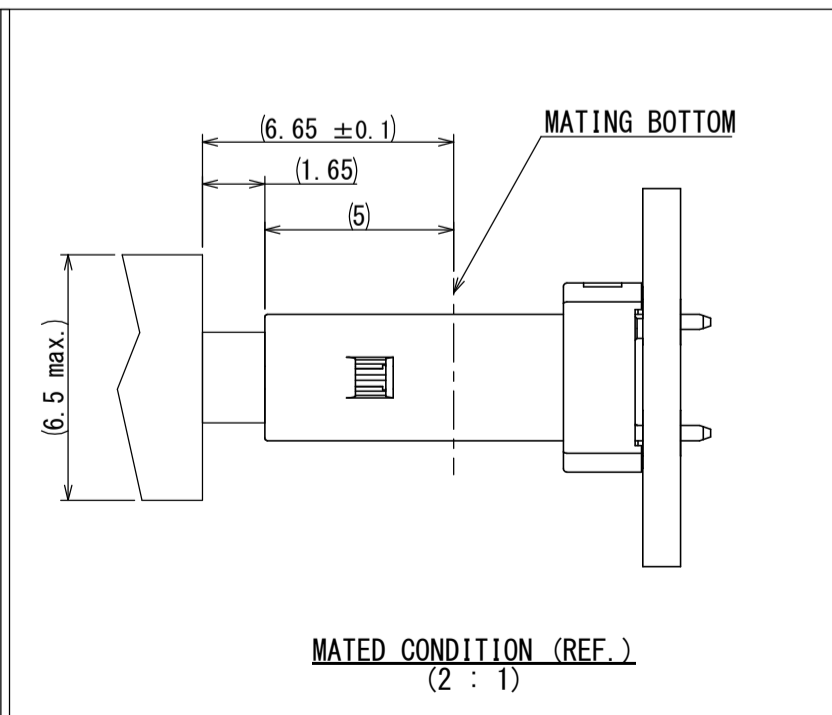
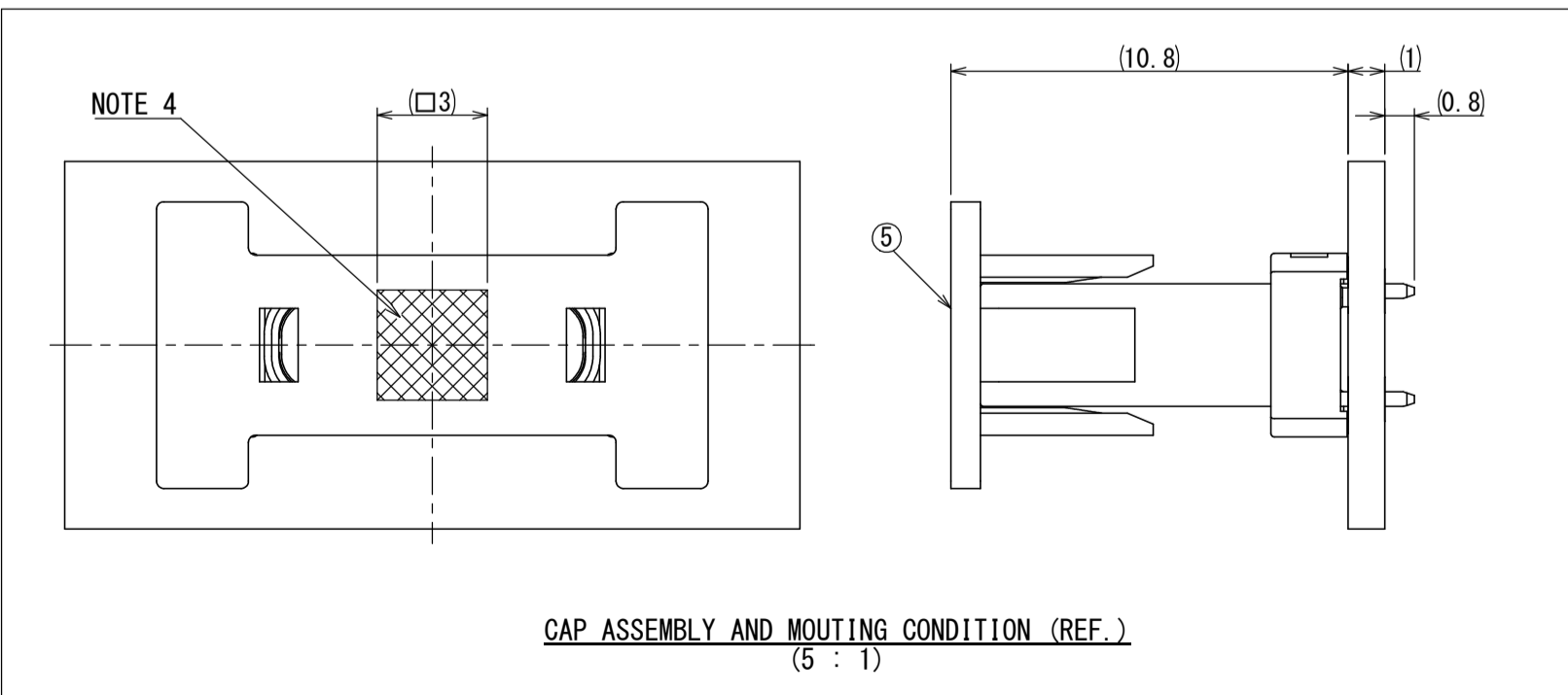


- NOTE 1. COPLANARITY OF SMT TERMINAL SHALL BE 0.1 MAXIMUM.  
 NOTE 2. MATING DIMENSIONS CONSIST OF "Universal Serial Bus Type-C Cable and Connector Specification Revision 1.1"  
 NOTE 3. THE SHELL LENGTH IS LESS THAN THE MINIMUM SPECIFIED BY THE USB TYPE C STANDARD. AS SUCH IT CANNOT INDEPENDENTLY BE GUARANTEED TO MEET ALL TYPE C MECHANICAL REQUIREMENTS. REFERENCE THE USB TYPE C SPECIFICATION RELEASE 1.1, SECTION 3.2.1, NOTE 7.  
 NOTE 4. VACUUM AREA.  
 NOTE 5. LOT NO. IS MARKED AS SHOWN IN BELOW FIGURE MARKING.  
 (EX.) 5 Y 0 3  
 -5 : MANUFACTURE YEAR. (LAST 1 DIGIT OF A. D.)  
 -Y : MANUFACTURE MONTH. (JAN. TO SEP. : 1 TO 9, OCT. : 0, NOV. : X, DEC. : Y)  
 -03 : MANUFACTURE DAY. (1 TO 31)  
 NOTE 6. METAL EXPOSED AREA SIZE COULD BE SLIGHTLY CHANGED BASED ON MOLDING PROCESS CONDITION IN EACHLOT, HOWEVER THIS WOULD NOT AFFECT CONNECTOR FUNCTION.  
 NOTE 7. PIN ASSIGNMENT (FRONT VIEW)

Pin No.	A1	A2	A3	A4	A5	A6	A7	A8	A9	A10	A11	A12
	GND	TX1+	TX1-	V <sub>BUS</sub>	CC1	D+	D-	SBU1	V <sub>BUS</sub>	RX2-	RX2+	GND
Pin No.	B12	B11	B10	B9	B8	B7	B6	B5	B4	B3	B2	B1
	GND	RX1+	RX1-	V <sub>BUS</sub>	SBU2	D-	D+	CC2	V <sub>BUS</sub>	TX2-	TX2+	GND



5	CAP	1	THERMOPLASTIC RESIN	COLOR:BLACK
4	SHELL	1	STAINLESS STEEL	NICKEL PLATING
3	MID PLATE	1	STAINLESS STEEL	NICKEL PLATING
2	INSULATOR	1	THERMOPLASTIC RESIN	COLOR:BLACK
1	CONTACT	24	COPPER ALLOY	CONTACT AREA NICKEL: 2 μm MIN. PALLADIUM-NICKEL: 0.75 μm MIN. GOLD FLASH: 0.05 μm MIN. SOLDER TAILS: NICKEL: 2 μm MIN. GOLD FLASH: 0.03 μm MIN.

仕様書(SPECIFICATION) JACS-30368	第1版(ORIGINAL DATE) 30/SEP/2016	尺度(SCALE) 5:1	シリーズ(SERIES) DX07	製図 DR.	名称(TITLE) DX07S024WJ3	製図 DR.	担当 CHK. J. OOSAKA	査問 APPD.	承認 APPD. Y. SAITOU	質量(MASS)	図面番号(DRAWING NO.) SJ117928	版数(VER.) 1
----------------------------------	-----------------------------------	------------------	----------------------	--------	--------------------------	--------	----------------------	----------	-----------------------	----------	-------------------------------	---------------

## X-ON Electronics

Largest Supplier of Electrical and Electronic Components

*Click to view similar products for [USB Connectors](#) category:*

*Click to view products by [JAE](#) manufacturer:*

Other Similar products are found below :

[65-647-8-BK-BU](#) [950](#) [E8144-B01021-L](#) [A-USB A-LP-SMT-C](#) [A-USB B-TOP-C](#) [MUSBA511N5](#) [MUSBD11135](#) [217450-1](#) [CA 6 W LD](#)  
[KMBVX-TH-5S-B30](#) [896-30-004-00-000000](#) [KUSBVX-BS1N-W30](#) [KUSBX-AP-KIT-SCBLK](#) [KUSBX-AS2N-W](#) [KUSBX-SMT2AP1S-W](#)  
[KUSBX-SMT2AP1S-W30](#) [935](#) [957](#) [30-498-6](#) [17-210051](#) [1734082-1](#) [30-1574](#) [30-470](#) [30-489](#) [30-541](#) [30-572-3](#) [MAB 8 SN V](#) [A-USB A-](#)  
[2P-C](#) [MIKROE-1451](#) [USBFTV2PEM2G](#) [USBFTVC6ZN](#) [KUSBX-AS2N-W30](#) [KUSBX-SLAS1N-W](#) [KUSBX-SMT-AS1N-W30](#) [4689-1](#) [1-](#)  
[1734084-2](#) [E8110-001-01](#) [MUSBA81130](#) [33UBARS1-04SW11](#) [33UBAR-04SW11](#) [USBF21ZNSCC](#) [USBBFTV6ZC](#) [10135326-001LF](#)  
[M9177/3-1](#) [USB-A-S-F-B-VT](#) [925](#) [4198](#) [690-024-633-031](#) [KUSBEX-BSFS1N-W](#) [USBFTVC6MRG](#)