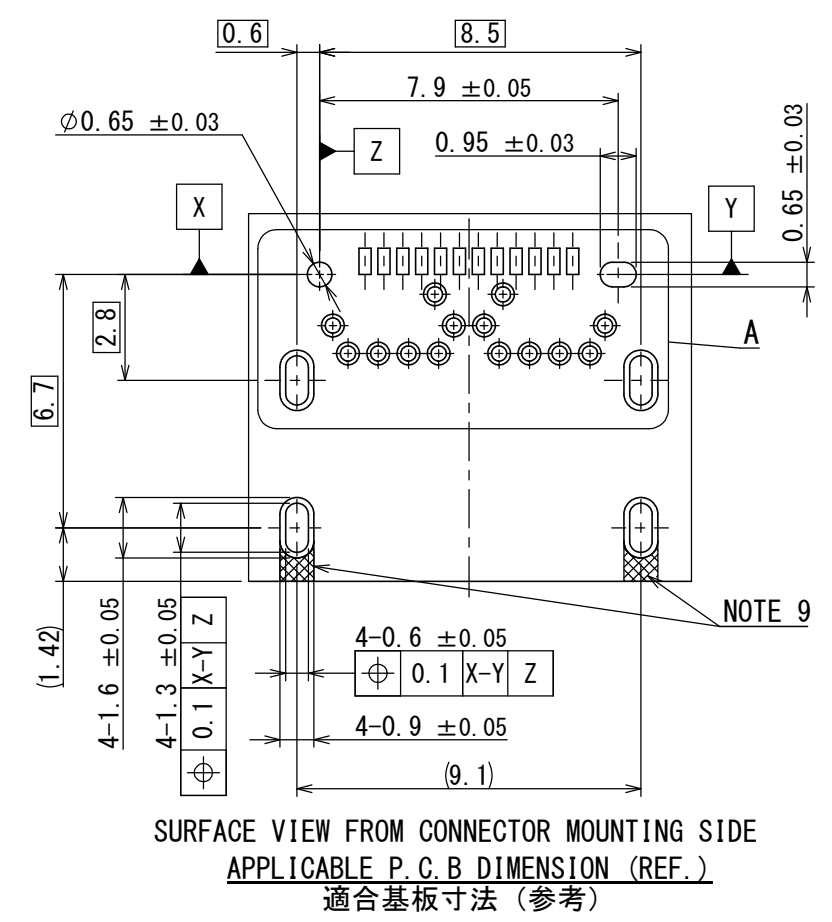
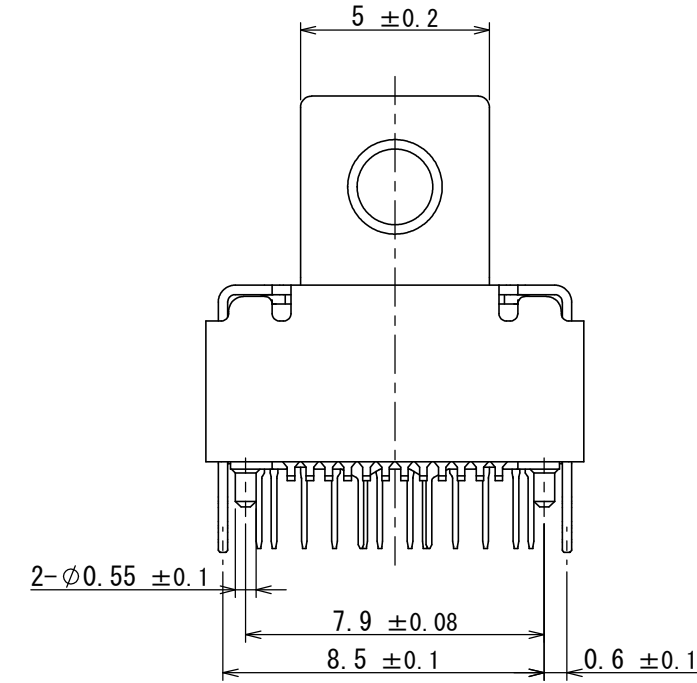
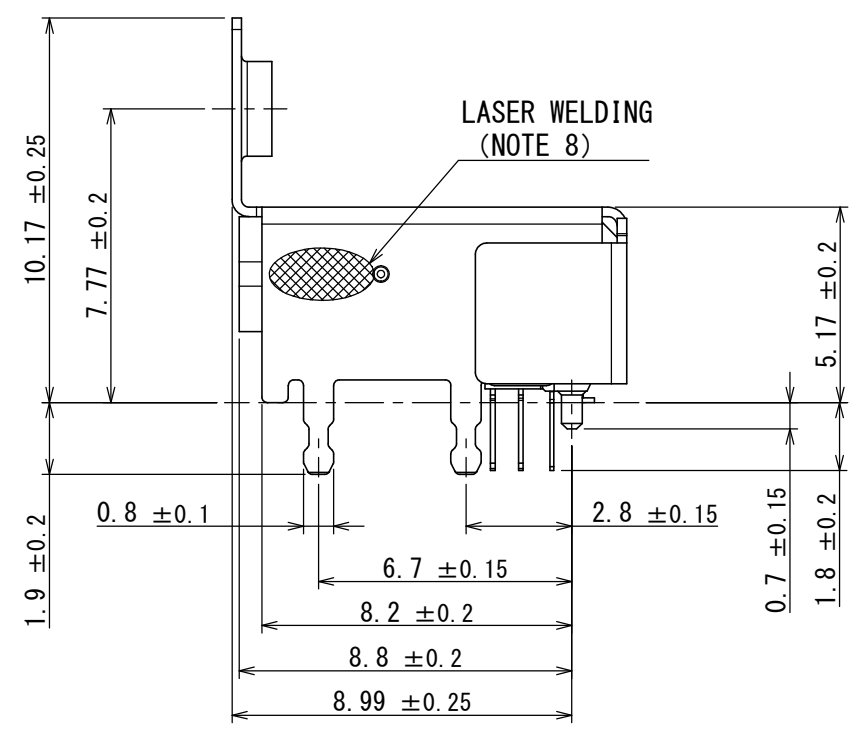
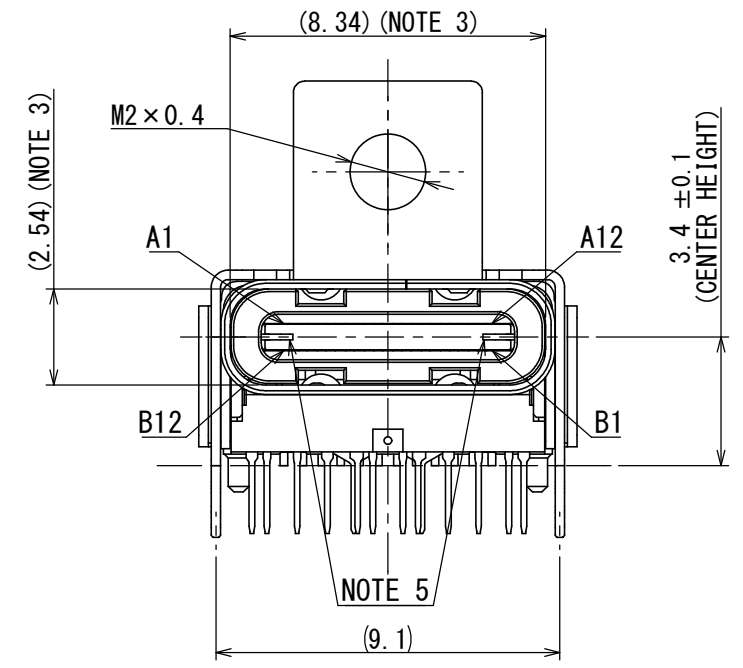
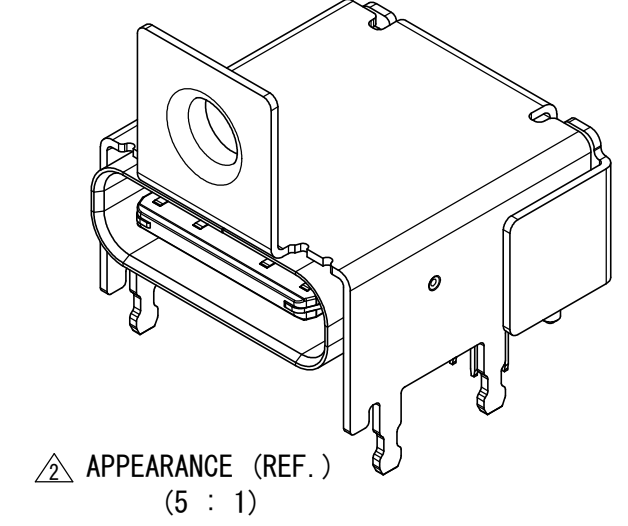
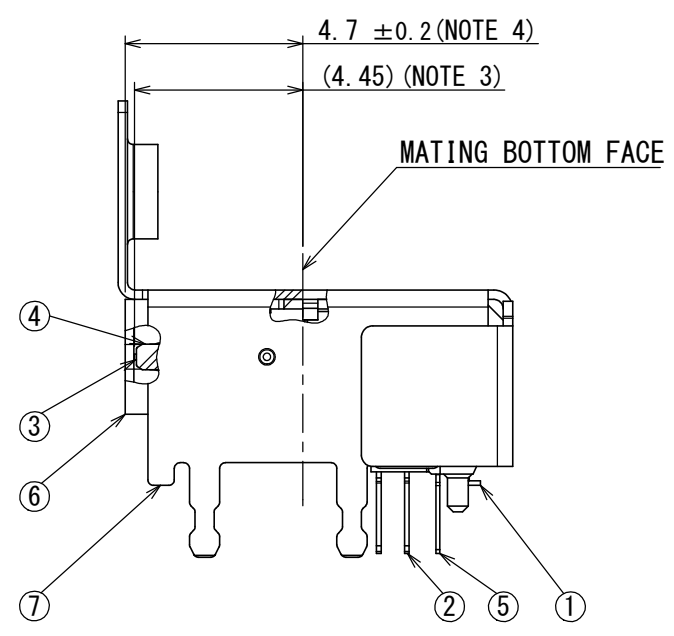
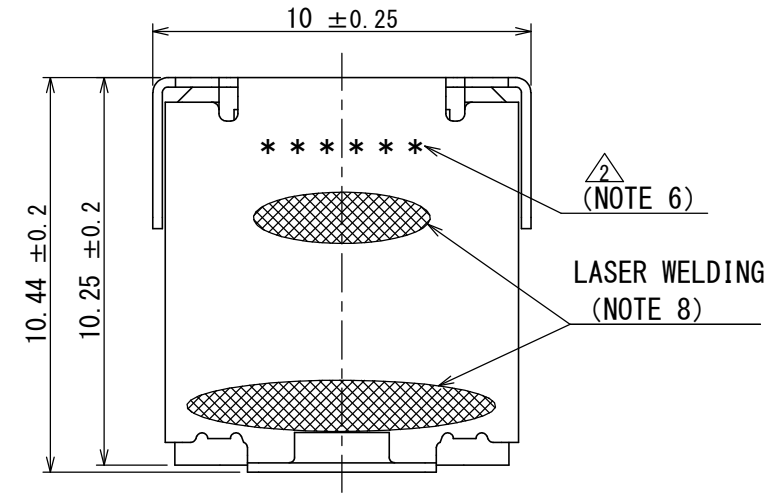
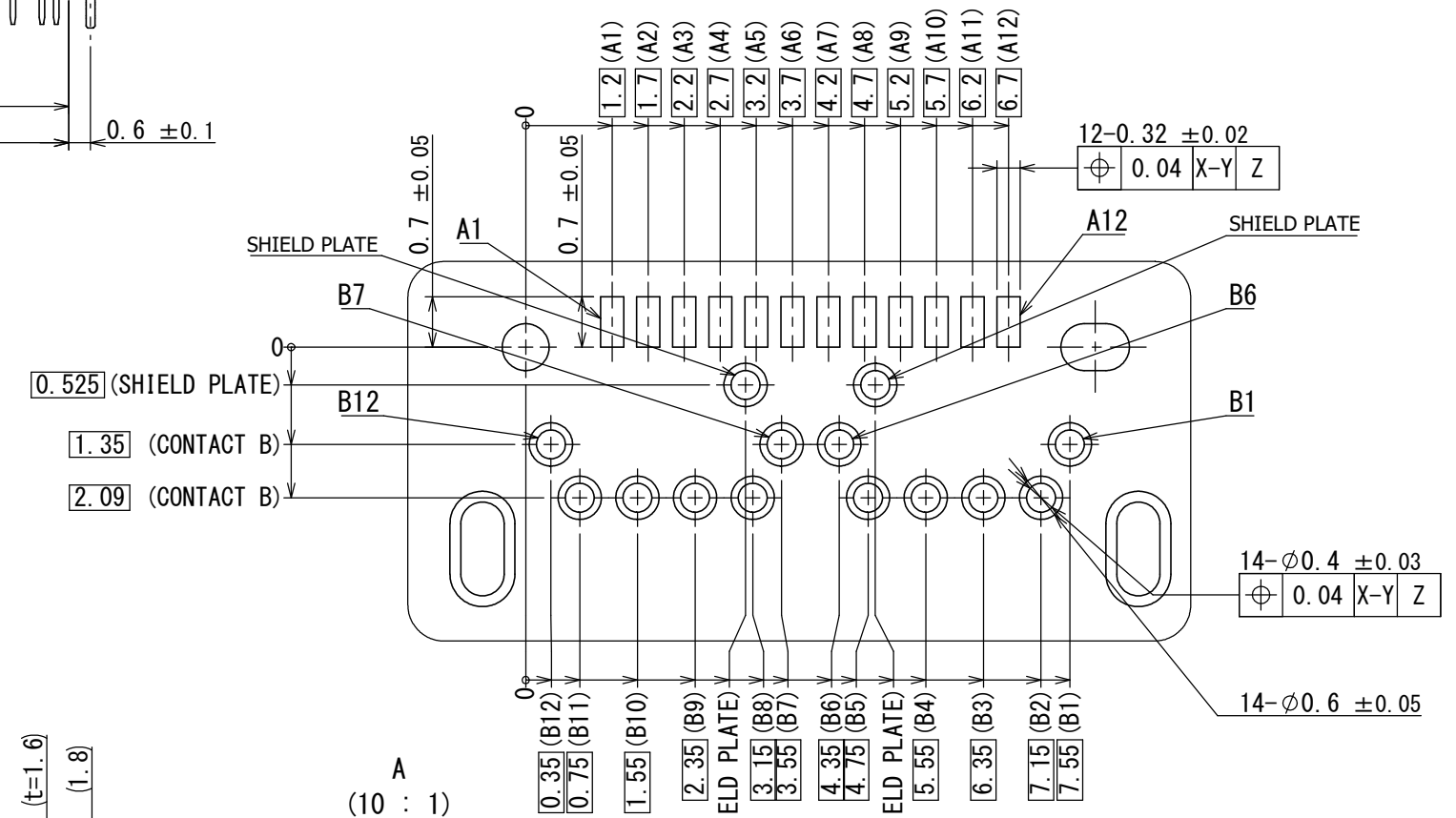
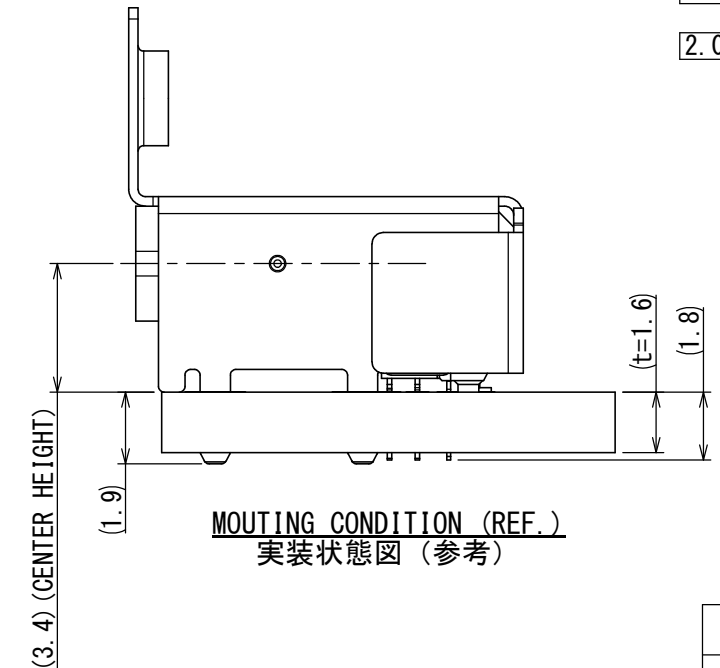
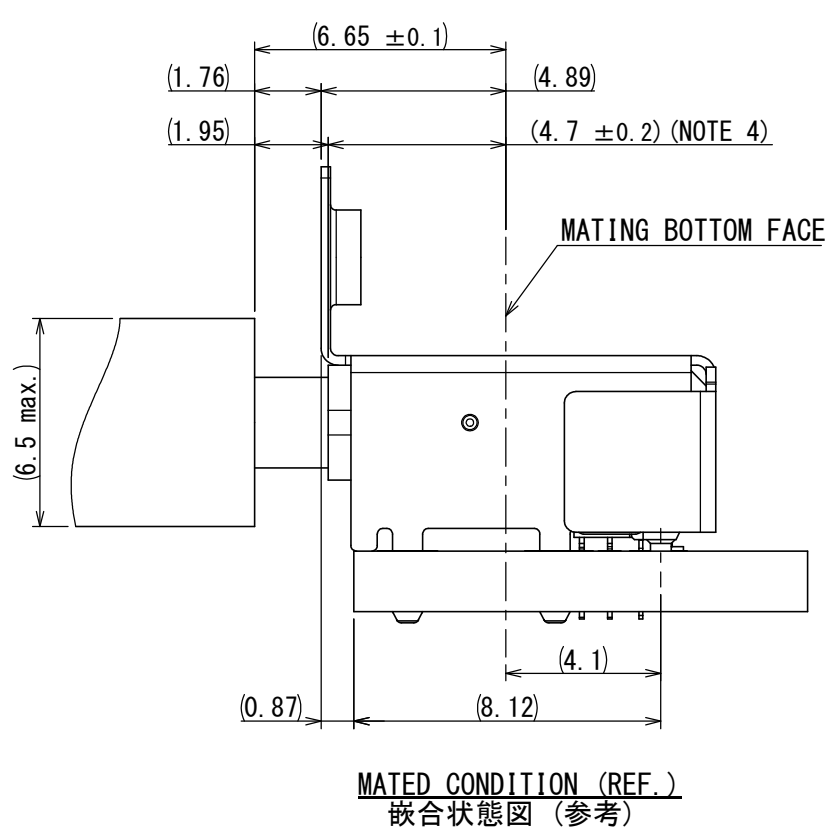
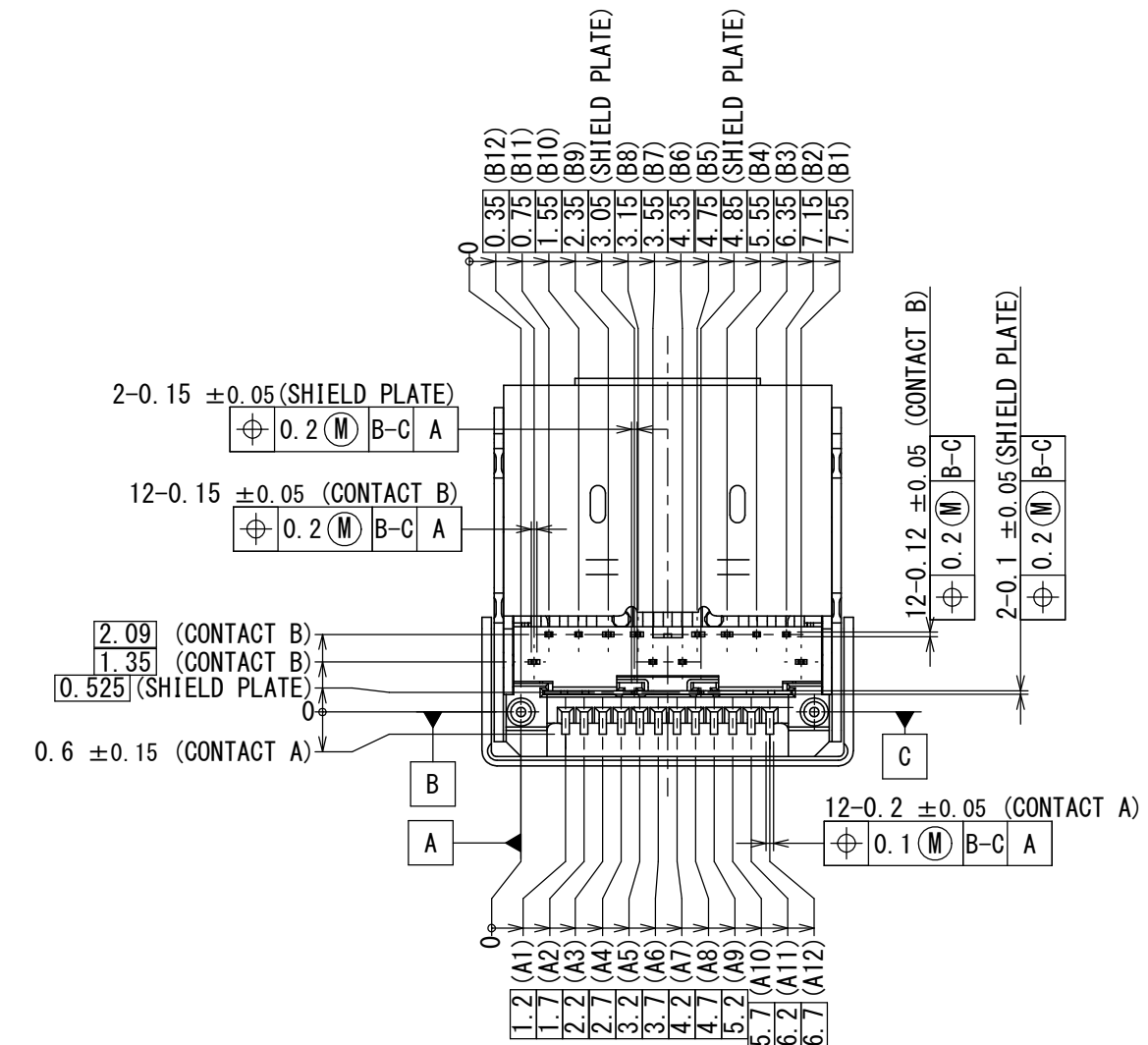


版数 VER.	年月日 DATE	図号 CN NO.	変更内容 DESCRIPTION	製図 DR.	担当 CHK.	査閲 APPD.	承認 APPD.
2	11/JUL/2018	025892	CORRECT AN ERROR AND ETC	-	J. OOSAKA	-	Y. SAITOU



SURFACE VIEW FROM CONNECTOR MOUNTING SIDE
APPLICABLE P.C.B DIMENSION (REF.)
適合基板寸法 (参考)



- NOTE 1. THIS PRODUCT IS HALOGEN-FREE PRODUCT.
 NOTE 2. COPLANARITY OF SMT TERMINAL IS 0.1 MAX.
 NOTE 3. MATING DIMENSIONS CONSIST OF "Universal Serial Bus Type-C Cable and Connector Specification Revision 1.2"
 NOTE 4. THE SHELL LENGTH IS LESS THAN THE 6.2MM RECOMMENDED IN THE USB STANDARD.
 THE SYSTEM IMPLEMENTER IS RESPONSIBLE FOR ACHIVING END PRODUCT RELIABILITY FOR THE MATED CONNECTOR CONDITION.
 REFER TO "Universal Serial Bus Type-C Cable and Connector Specification Revision 1.2 Section 3.2.1 Note.7".
 NOTE 5. METAL EXPOSED AREA SIZE COULD BE SLIGHTLY CHANGED BASED ON MOLDING PROCESS CONDITION IN EACH LOT, HOWEVER THIS WOULD NOT AFFECT CONNECTOR FUNCTION.
 NOTE 6. LOT NUMBER IS MARKED AS INDICATED.

NOTE 7

Pin No.	A1	A2	A3	A4	A5	A6	A7	A8	A9	A10	A11	A12
	GND	TX1+	TX1-	V _{BUS}	CC1	D+	D-	SBU1	V _{BUS}	RX2-	RX2+	GND
Pin No.	B12	B11	B10	B9	B8	B7	B6	B5	B4	B3	B2	B1
	GND	RX1+	RX1-	V _{BUS}	SBU2	D-	D+	CC2	V _{BUS}	TX2-	TX2+	GND

符号 NO.	名称 DESCRIPTION	個数 QTY.	材料 MATERIAL	仕上 FINISH	備考 REMARKS
7	BRACKET	1	STAINLESS STEEL	NICKEL PLATING	NICKEL : 0.5 μm MIN.
6	SHELL	1	STAINLESS STEEL	-	-
5	SHIELD PLATE	1	STAINLESS STEEL	NICKEL PLATING	-
4	INSULATOR	1	HEAT RESISTANCE PLASTIC	-	COLOR : BLACK
3	MID PLATE	1	STAINLESS STEEL	-	-
2	CONTACT B	12	COPPER ALLOY	CONTACT AREA : GOLD OVER NICKEL	CONTACT AREA : NICKEL : 1.0 μm MIN. GOLD : 0.1 μm MIN.
1	CONTACT A	12	COPPER ALLOY	SOLDER TAILS : GOLD FLASH OVER NICKEL	

仕様書 (SPECIFICATION)
 JACS-30361
 JAHL-30361-1

第1版 (ORIGINAL DATE)
 10/APR/2018

尺度 (SCALE)
 5:1

名称 (TITLE)
 DX07S024XJ4

製造 DR. -
 担当 CHK. J. OOSAKA
 査閲 APPD. -
 承認 APPD. Y. SAITOU

一般公差 (GENERAL TOLERANCE)
 寸法 (DIMENSION):
 . ± 0.8
 . × ± 0.4
 . × × ± 0.1
 . × × × ±

角度 (ANGLES)
 ° ±
 ° × ±

単位 (UNIT): mm

質量 (MASS)

図面番号 (DRAWING NO.)
 SJ119851

版数 (VER.)
 2

日本航空電子工業株式会社
 JAPAN AVIATION ELECTRONICS INDUSTRY, LTD.

NOTE 7. PIN ASSIGNMENT (FRONT VIEW)
 NOTE 8. LASER WELD POINTS MAY BE DISCOLORED.
 NOTE 9. NO PCB ROUTING ALLOWED IN THIS AREA.

X-ON Electronics

Largest Supplier of Electrical and Electronic Components

Click to view similar products for [USB Connectors](#) category:

Click to view products by [JAE](#) manufacturer:

Other Similar products are found below :

[65-647-8-BK-BU](#) [950](#) [952](#) [E8144-B01021-L](#) [A-USB A-LP-SMT-C](#) [A-USB B-TOP-C](#) [MUSBA511N5](#) [MUSBD11135](#) [217450-1](#) [CA 6 W LD](#)
[KMBVX-TH-5S-B30](#) [896-30-004-00-000000](#) [KUSBVX-BS1N-W30](#) [KUSBX-AP-KIT-SCBLK](#) [KUSBX-AS2N-W](#) [KUSBX-SMT2AP1S-W](#)
[KUSBX-SMT2AP1S-W30](#) [935](#) [957](#) [30-498-6](#) [17-210051](#) [1734082-1](#) [30-1574](#) [30-470](#) [30-489](#) [30-541](#) [30-572-3](#) [MAB 8 SN V](#) [A-USB A-](#)
[2P-C](#) [MIKROE-1451](#) [USBFTV2PEM2G](#) [USBFTVC6ZN](#) [KUSBX-AS2N-W30](#) [KUSBX-SLAS1N-W](#) [KUSBX-SMT-AS1N-W30](#) [4689-1](#) [1-](#)
[1734084-2](#) [E8110-001-01](#) [MUSBA81130](#) [33UBARS1-04SW11](#) [33UBAR-04SW11](#) [USBF21ZNSCC](#) [USBBFTV6ZC](#) [10135326-001LF](#)
[M9177/3-1](#) [USB-A-S-F-B-VT](#) [925](#) [4198](#) [690-024-633-031](#) [KUSBEX-BSFS1N-W](#)