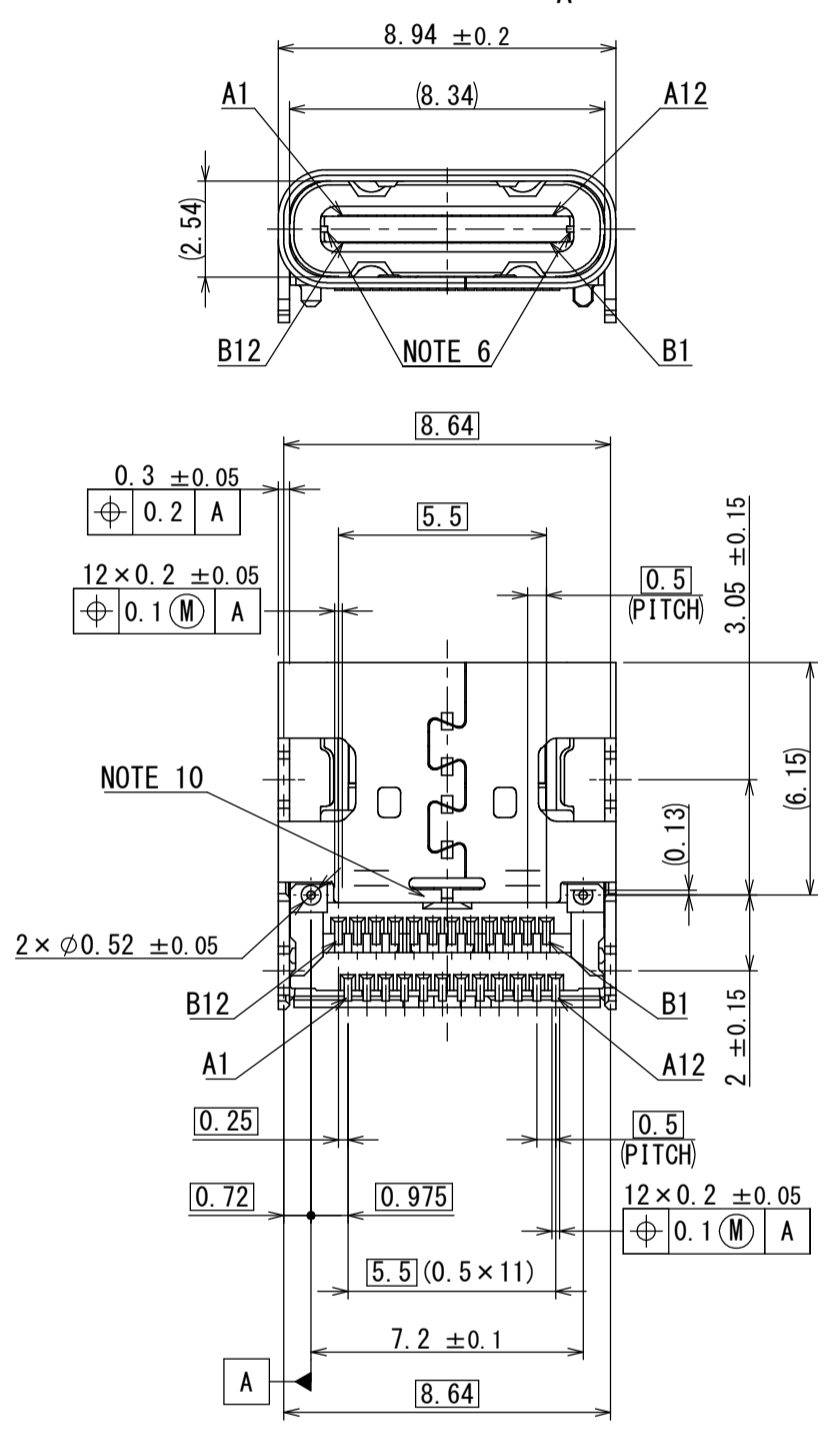
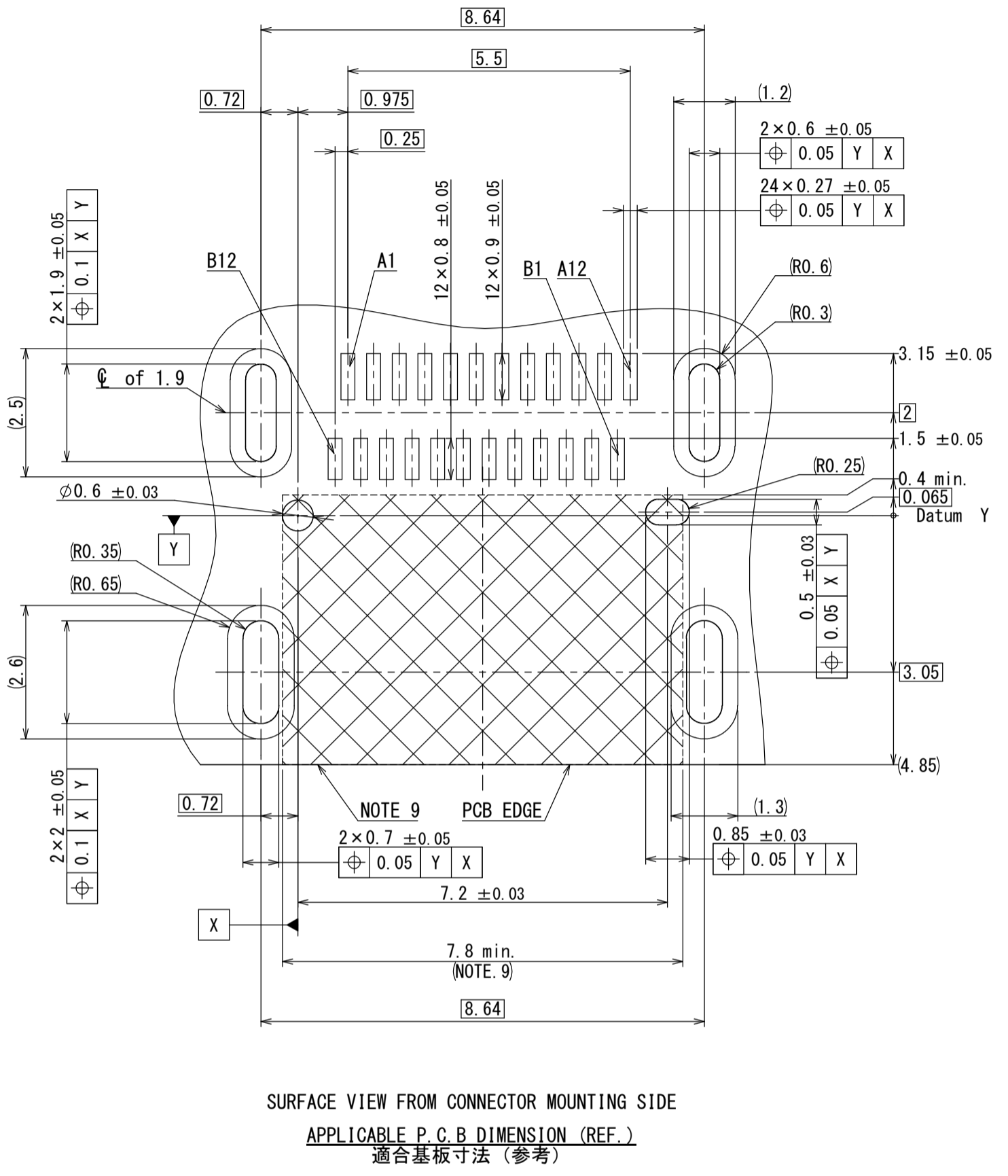
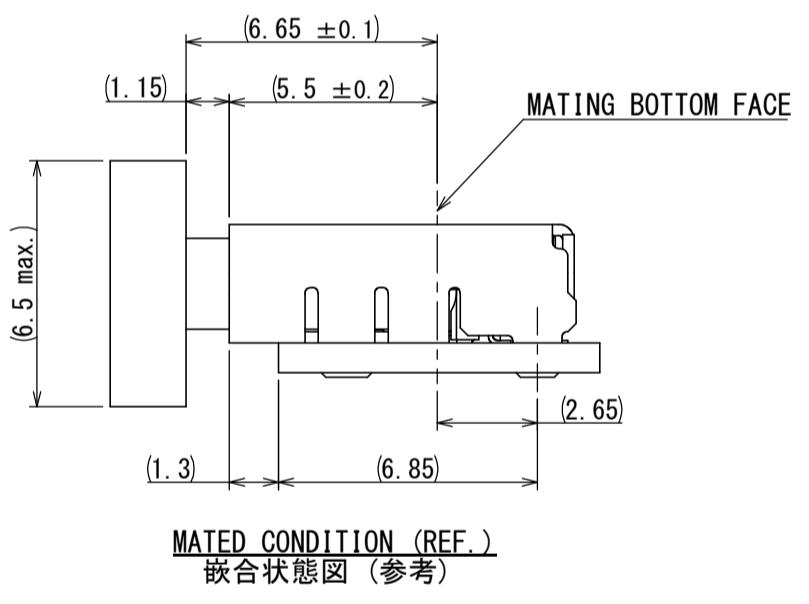
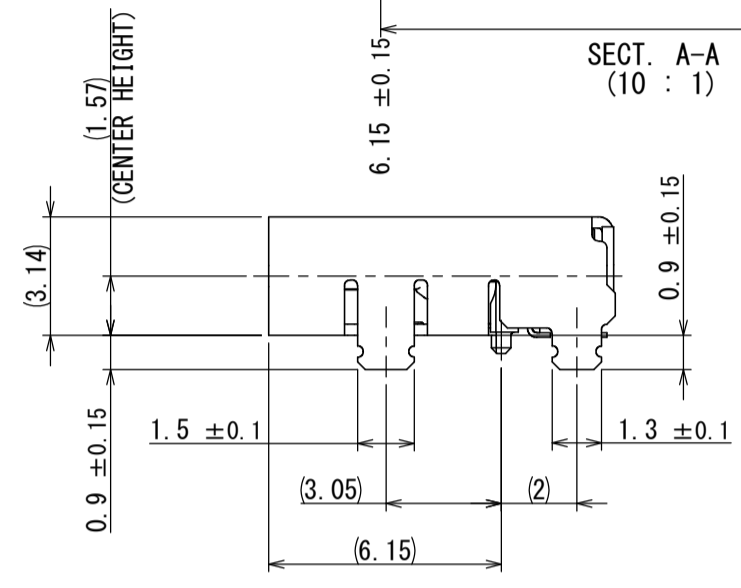
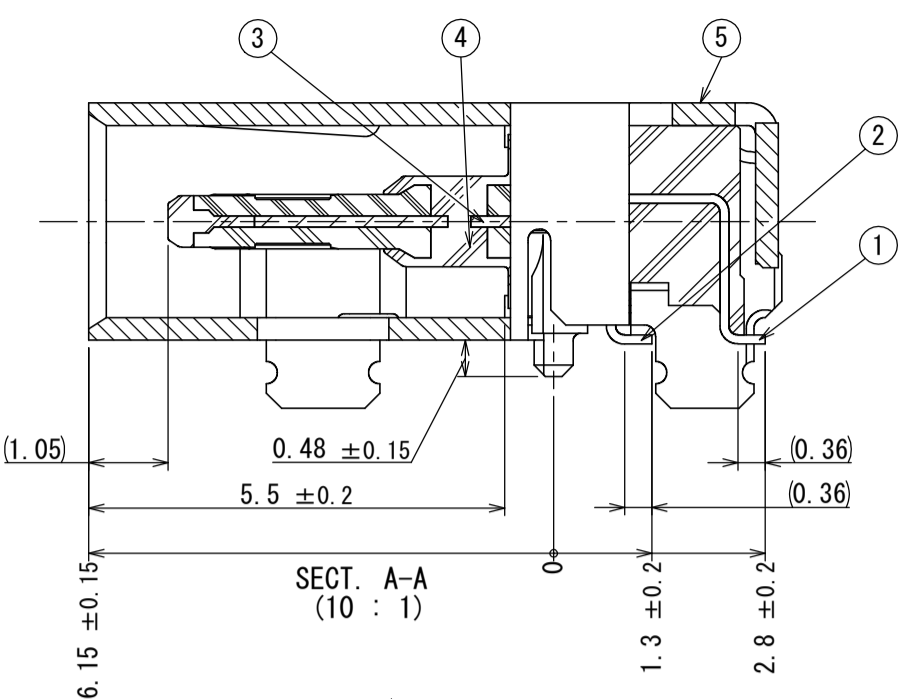
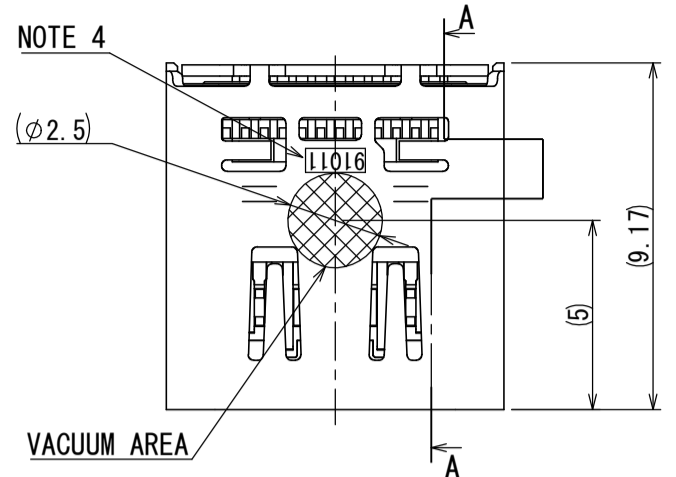


SJ122841
図面番号(DRAWING NO.)

版数 VER.	年月日 DATE	図番 CN NO.	変更内容 DESCRIPTION	製図 DR.	担当 CHK.	査閲 APPD.	承認 APPD.
------------	-------------	--------------	---------------------	-----------	------------	-------------	-------------



NOTE 1. THIS PRODUCT IS HALOGEN-FREE PRODUCT.
 NOTE 2. COPLANARITY OF SMT TERMINAL IS 0.1 MAX.
 NOTE 3. THE SHELL LENGTH IS LESS THAN THE 6.2MM RECOMMENDED IN THE USB STANDARD.
 THE SYSTEM IMPLEMENTER IS RESPONSIBLE FOR ACHIEVING END PRODUCT RELIABILITY FOR THE MATED CONNECTOR CONDITION.
 REFER TO USB TYPE-C CABLE AND CONNECTOR SPECIFICATION REVISION 2.0 SECTION 3.2.1 NOTE 7.
 NOTE 4. LOT NUMBER IS MARKED AS INDICATED.

(EX) 9 1 01 1
 YEAR MONTH DAY EQUIPMENT No. (NUMBER OR ALPHABET)
 (END OF ONE DIGIT AT CHRISTIAN ERA)
 (JAN. TO SEP.: 1 TO 9, OCT.: 0, NOV.: X, DEC.: Y)
 (TWO-DIGITS NUMBER)

NOTE 5. PIN ASSIGNMENT (FRONT VIEW)

Pin No.	A1	A2	A3	A4	A5	A6	A7	A8	A9	A10	A11	A12
	GND	TX1+	TX1-	V _{BUS}	CC1	D+	D-	SBU1	V _{BUS}	RX2-	RX2+	GND
Pin No.	B12	B11	B10	B9	B8	B7	B6	B5	B4	B3	B2	B1
	GND	RX1+	RX1-	V _{BUS}	SBU2	D-	D+	CC2	V _{BUS}	TX2-	TX2+	GND

NOTE 6. METAL EXPOSED AREA SIZE COULD BE SLIGHTLY CHANGED BASED ON MOLDING PROCESS CONDITION IN EACH LOT, HOWEVER THIS WOULD NOT AFFECT CONNECTOR FUNCTION.
 NOTE 7. THERE IS POSSIBILITY THAT THE SHELL DISCOLORS AFTER HEATING.
 NOTE 8. MATING DIMENSIONS CONSIST OF "Universal Serial Bus Type-C Cable and Connector Specification Revision 2.0"
 NOTE 9. NO PCB ROUTING ALLOWED IN THIS AREA.

符号 NO.	名称 DESCRIPTION	個数 QTY.	材料 MATERIAL	仕上 FINISH	備考 REMARKS
5	SHELL	1	STAINLESS STEEL	NICKEL PLATING	
4	INSULATOR	1	HEAT RESISTING PLASTIC	-	COLOR BLACK
3	MID PLATE	1	STAINLESS STEEL	-	
2	CONTACT B	12	COPPER ALLOY	CONTACT AREA : GOLD OVER NICKEL	NICKEL: 1.0 μm MIN. GOLD
1	CONTACT A	12	COPPER ALLOY	SOLDER TAILS : GOLD FLASH OVER NICKEL	CONTACT AREA : 0.1 μm MIN. SOLDER TAILS: 0.03 μm MIN.

仕様書(SPECIFICATION) JACS-30353-※ JAHL-30353-※	第1版(ORIGINAL DATE) 25/MAY/2020	尺度(SCALE) 5:1	シリーズ(SERIES) DX07
製図 DR.	担当 CHK. H. OOTANI	名称(TITLE) DX07S024JAA	製作者 JAE
一般公差(GENERAL TOLERANCE) 寸法(DIMENSION) × ±0.8 ×× ±0.4 ××× ±0.1	角度(ANGLES) ×° ± ×°' ±	承認 APPD. I. IGARASHI	品質(MASS)
単位(UNIT) : mm	シート(SHEET NO.) 1 OF 1	図面番号(DRAWING NO.) SJ122841	版数(VER.) 1

WISDOM承認 2020/05/26

DFE-C-2131(20.02)

X-ON Electronics

Largest Supplier of Electrical and Electronic Components

Click to view similar products for [USB Connectors](#) category:

Click to view products by [JAE](#) manufacturer:

Other Similar products are found below :

[65-647-8-BK-BU](#) [950](#) [952](#) [E8144-B01021-L](#) [A-USB A-LP-SMT-C](#) [MUSBA511N5](#) [MUSBD11135](#) [217450-1](#) [CA 6 W LD](#) [KMBVX-TH-5S-B30](#) [896-30-004-00-000000](#) [KUSBVX-BS1N-W30](#) [KUSBX-AP-KIT-SCBLK](#) [KUSBX-AS2N-W](#) [KUSBX-SMT2AP1S-W](#) [KUSBX-SMT2AP1S-W30](#) [935](#) [957](#) [30-498-6](#) [17-210051](#) [1734082-1](#) [30-1574](#) [30-470](#) [30-489](#) [30-541](#) [30-572-3](#) [MAB 8 SN V](#) [A-USB A-2P-C](#) [MIKROE-1451](#) [USBFTV2PEM2G](#) [USBFTVC6ZN](#) [KUSBX-AS2N-W30](#) [KUSBX-SLAS1N-W](#) [KUSBX-SMT-AS1N-W30](#) [4689-1](#) [1-1734084-2](#) [E8110-001-01](#) [MUSBA81130](#) [33UBARS1-04SW11](#) [33UBAR-04SW11](#) [USBF21ZNSCC](#) [USBBFTV6ZC](#) [10135326-001LF](#) [M9177/3-1](#) [USB-A-S-F-B-VT](#) [925](#) [4198](#) [690-024-633-031](#) [KUSBEX-BSFS1N-W](#) [USBFTVC6MRG](#)