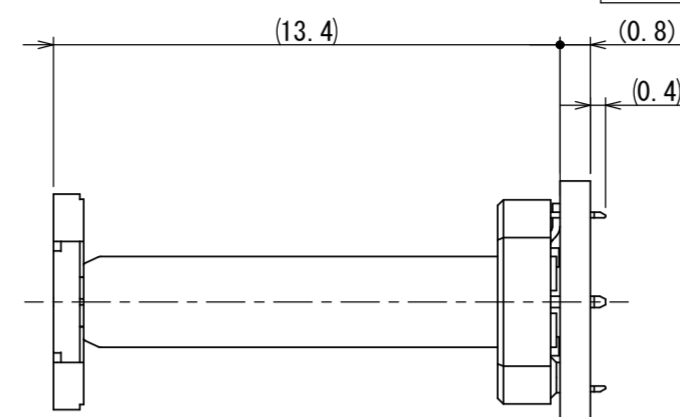
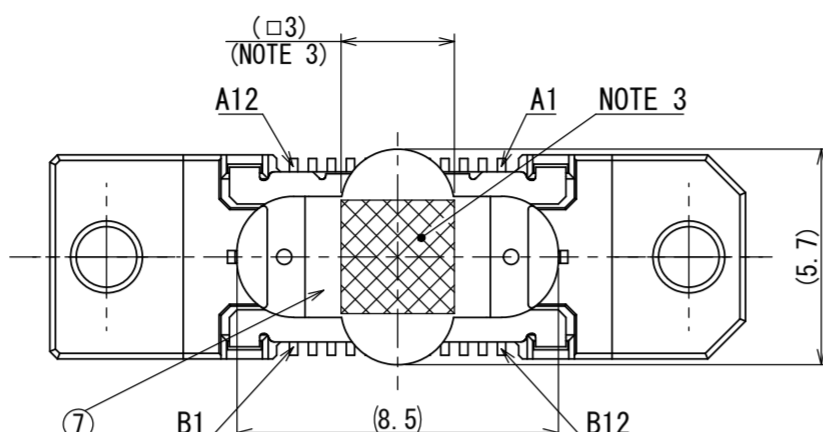
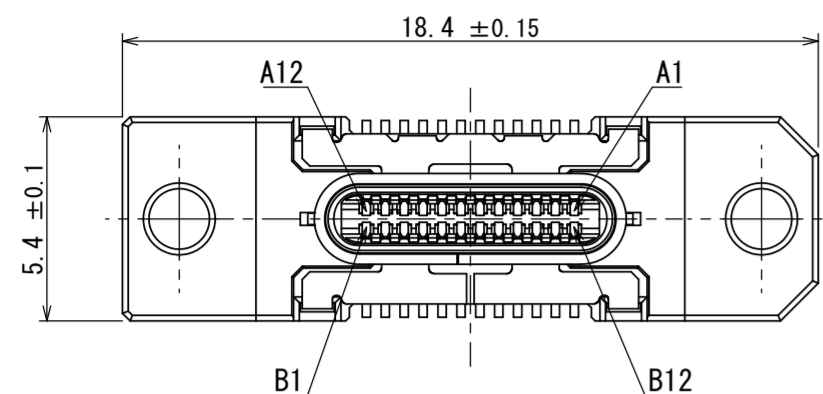
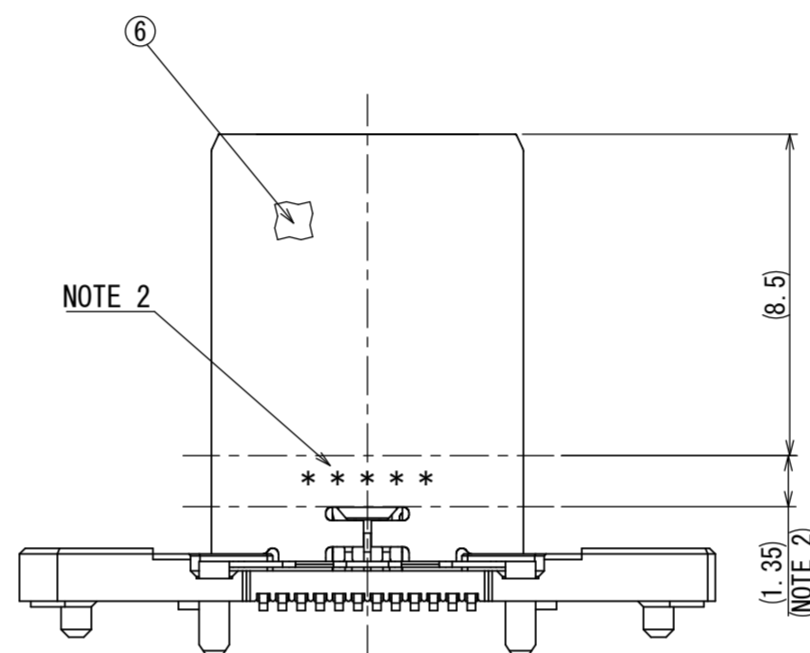
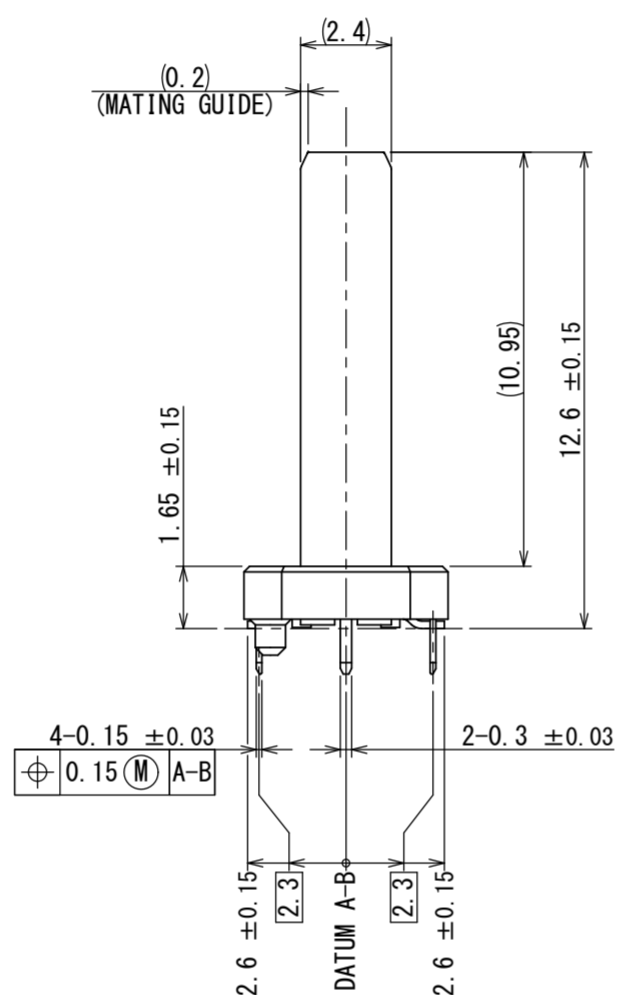
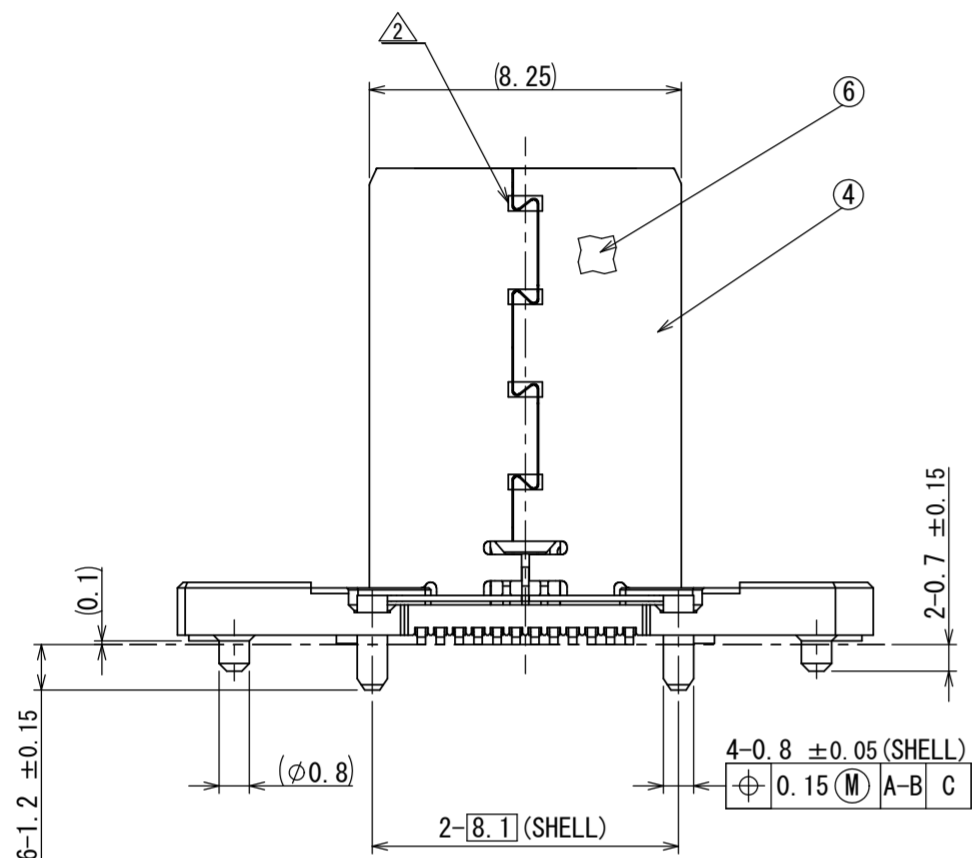


版数 VER.	年月日 DATE	CN NO.	変更内容 DESCRIPTION	製図 DR.	担当 CHK.	承認 APPD.	承認 APPD.
2	17/MAY/2018	025192	ADD A NOTES. CONFORM MATING PART OF SHELL TO REAL PRODUCT FORM.		Y. YOKOYAMA	-	Y. SAITOU



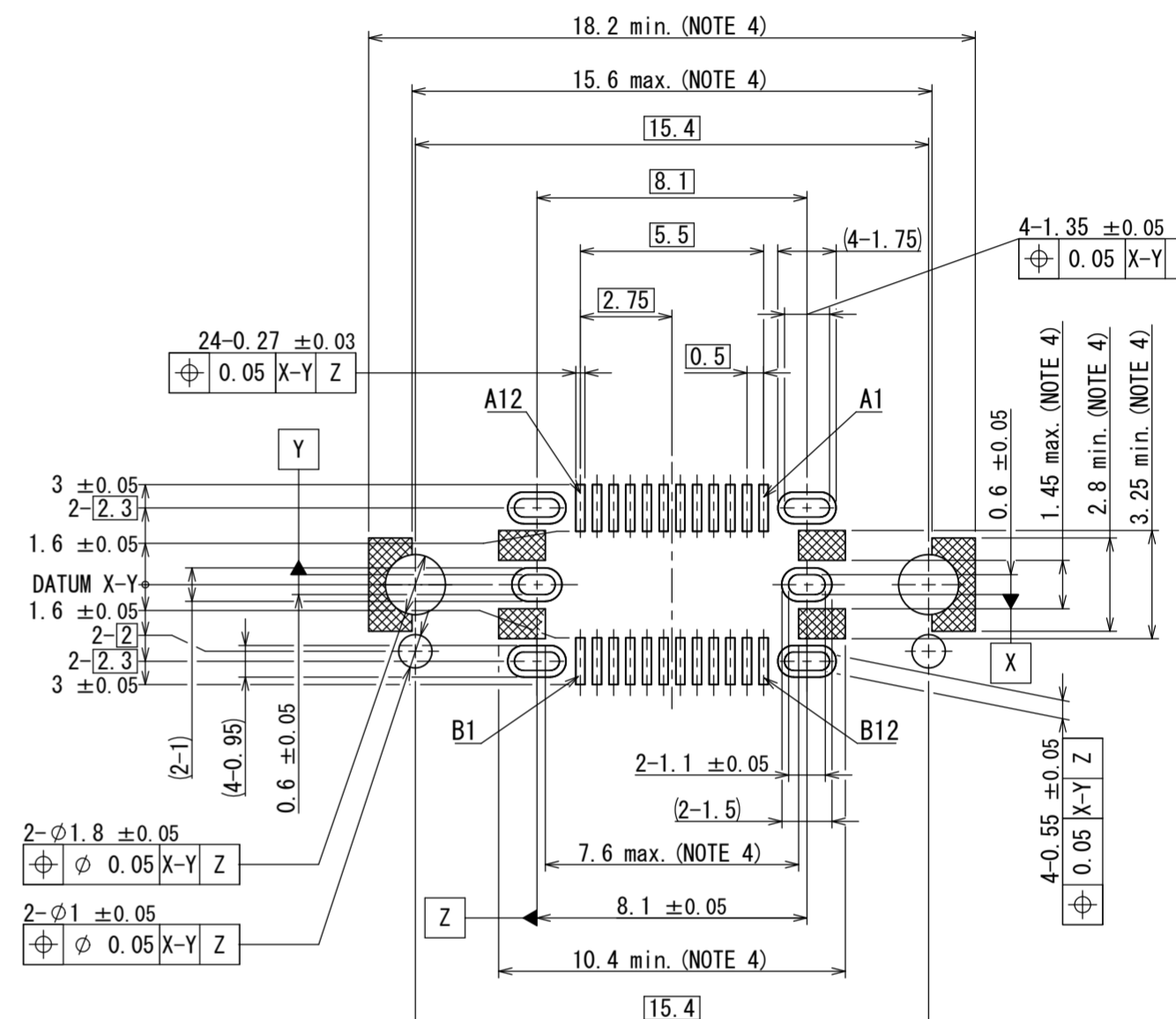
CAP ASSEMBLY CONDITION
(REF.) (5 : 1)

CAP ASSEMBLY AND MOUNTING
CONDITION (REF.) (5 : 1)

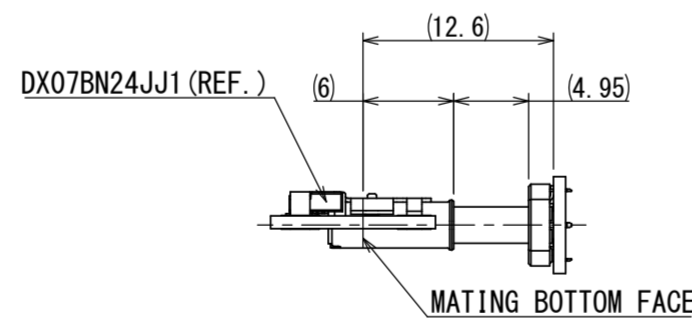
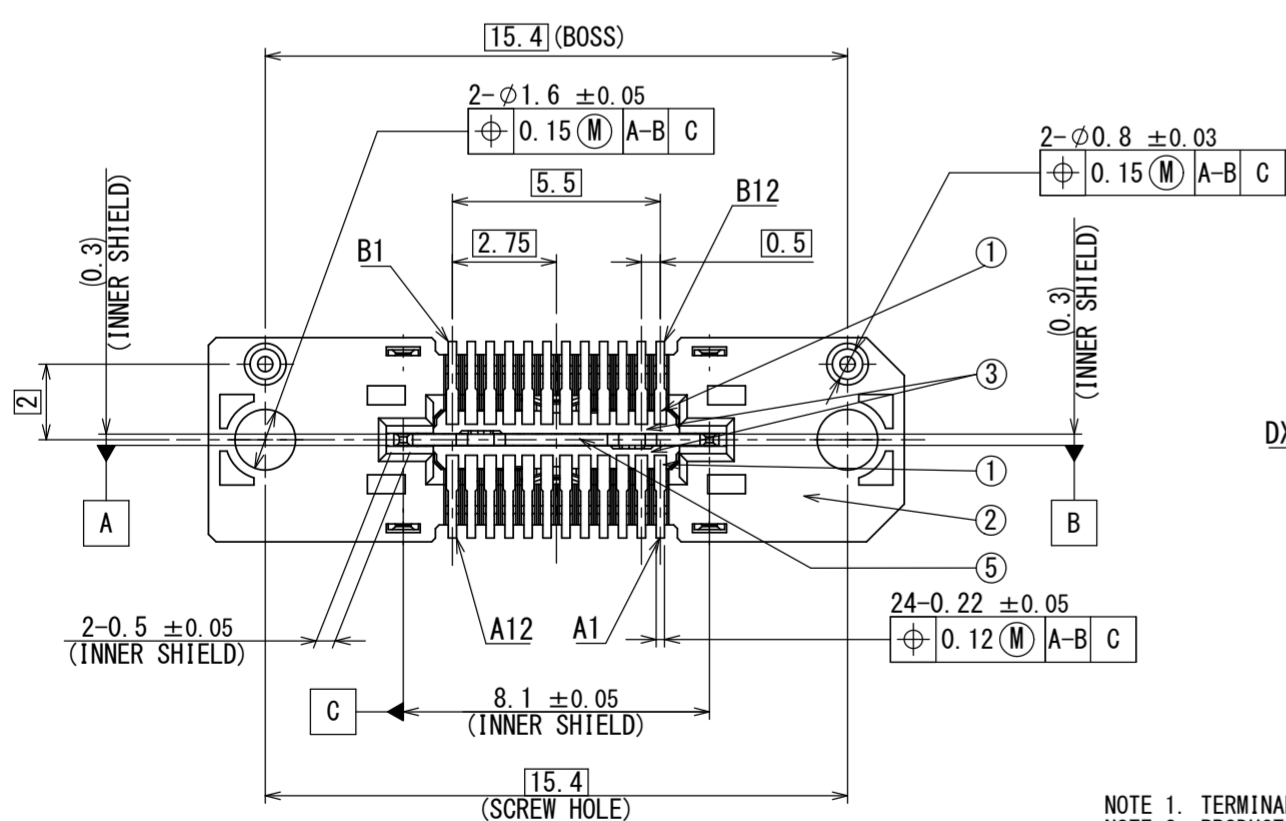


[TABLE-1]

FIRST DIGIT	SECOND DIGIT	THIRD DIGIT	FOURTH DIGIT	FIFTH DIGIT					
YEAR	MARKING	MONTH	MARKING	DAY	MARKING	hour	MARKING	LINE CODE	MARKING
2018	8	1	1	1	1	0	0	1	1
2018	9	2	2	2	2	1	1	2	2
2018	0	3	3	3	3	2	2	3	3
2018	1	4	4	4	4	3	3	4	4
2018	2	5	5	5	5	4	4	5	5
2018	3	6	6	6	6	5	5	6	6
2018	4	7	7	7	7	6	6	7	7
2018	5	8	8	8	8	7	7	8	8
2018	6	9	9	9	9	8	8	9	9
2018	7	10	0	10	A	9	9	10	A
.	.	11	X	11	B	10	A	11	B
.	.	12	Y	12	C	11	B	12	C
.	.	.	.	13	D	12	C	13	D
.	.	.	.	14	E	13	D	14	E
.	.	.	.	15	F	14	E	15	F
.	.	.	.	16	G	15	F	16	G
.	.	.	.	17	H	16	G	17	H
.	.	.	.	18	J	17	H	18	J
.	.	.	.	19	K	18	J	19	K
.	.	.	.	20	L	19	K	20	L
.	.	.	.	21	M	20	L	21	M
.	.	.	.	22	N	21	M	22	N
.	.	.	.	23	P	22	N	23	P
.	.	.	.	24	Q	23	P	24	Q
.	.	.	.	25	R	.	.	25	R
.	.	.	.	26	S	.	.	26	S
.	.	.	.	27	T	.	.	27	T
.	.	.	.	28	U	.	.	28	U
.	.	.	.	29	V	.	.	29	V
.	.	.	.	30	W	.	.	30	W
.	.	.	.	31	X	.	.	31	X
.	.	.	.	32	Y	.	.	32	Y
.	.	.	.	33	Z	.	.	33	Z



SURFACE VIEW FROM CONNECTOR MOUNTING SIDE
APPLICABLE P.C.B DIMENSION
(REF.) (5 : 1)



MATED CONDITION
(REF.) (2 : 1)

- NOTE 1. TERMINAL COPLANARITY IS 0.1 MAX.
NOTE 2. PRODUCTION LOT NUMBER IS MARKED AS INDICATED. (LASER MARKING)
LOT NUMBER CONTENTS REFER TO TABLE-1.
NOTE 3. VACUUM AREA.
NOTE 4. STENCIL MASK OPENING PROHIBITION AREA.
NOTE 5. THE PACKING METHOD SHALL BE AS SPECIFIED IN SJ119573.
NOTE 6. THIS PRODUCT IS MATING COMPATIBLE WITH TYPE C RECEPTACLE, BUT IS NOT COMPLIANT WITH USB TYPE C SPECIFICATION.
NOTE 7. PIN ASSIGNMENT (FRONT VIEW)

Pin No.	A12	A11	A10	A9	A8	A7	A6	A5	A4	A3	A2	A1
	GND	RX2+	RX2-	V _{BUS}	SBU1	D-	D+	CC	V _{BUS}	TX1-	TX1+	GND
Pin No.	B1	B2	B3	B4	B5	B6	B7	B8	B9	B10	B11	B12
	GND	TX2+	TX2-	V _{BUS}	V _{CONN}			SBU2	V _{BUS}	RX1-	RX1+	GND

NOTE 8. METAL MASK OPENING RATE OF THE SMT TERMINAL SHOULD BE SET UP WITH 100%.

符号 NO.	名称 DESCRIPTION	個数 QTY.	材料 MATERIAL	仕上 FINISH	備考 REMARKS
7	CAP	1	HEAT RESISTING PLASTICS	-	COLOR: BLACK
6	TAPE	2	POLYIMIDE	-	-
5	INNER SHIELD	1	STAINLESS STEEL	NICKEL PLATING	NICKEL: 0.5 μm MIN.
4	SHELL	2	STAINLESS STEEL	NICKEL PLATING	NICKEL: 0.5 μm MIN.
3	BACK INSULATOR	2	HEAT RESISTING PLASTICS	-	COLOR: BLACK
2	FRONT INSULATOR	1	HEAT RESISTING PLASTICS	-	COLOR: BLACK
1	CONTACT	24	COPPER ALLOY	CONTACT AREA: GOLD OVER NICKEL TERMINAL AREA: GOLD FLASH OVER NICKEL	CONTACT AREA: NICKEL: 1.5 μm MIN. GOLD: 0.1 μm MIN. SOLDER TAILS: NICKEL: 1.5 μm MIN. GOLD FLASH: 0.03 μm MIN.

仕様書 (SPECIFICATION)	第1版 (ORIGINAL DATE) 01/MAR/2018	尺度 (SCALE) 5:1	シリーズ (SERIES) DX07	製図 DR. Y. YOKOYAMA	名称 (TITLE) DX07VN24WA2	製図 DR. Y. YOKOYAMA	承認 APPD. J. OOSAKA	承認 APPD. Y. SAITOU	図面番号 (DRAWING NO.) SJ119572	版数 (VER.) 2
---------------------	------------------------------------	-------------------	-----------------------	-----------------------	---------------------------	-----------------------	-----------------------	-----------------------	--------------------------------	----------------

X-ON Electronics

Largest Supplier of Electrical and Electronic Components

Click to view similar products for [USB Connectors](#) category:

Click to view products by [JAE](#) manufacturer:

Other Similar products are found below :

[65-647-8-BK-BU](#) [950](#) [E8144-B01021-L](#) [A-USB A-LP-SMT-C](#) [A-USB B-TOP-C](#) [MUSBA511N5](#) [MUSBD11135](#) [217450-1](#) [CA 6 W LD](#)
[KMBVX-TH-5S-B30](#) [896-30-004-00-000000](#) [KUSBVX-BS1N-W30](#) [KUSBX-AP-KIT-SCBLK](#) [KUSBX-AS2N-W](#) [KUSBX-SMT2AP1S-W](#)
[KUSBX-SMT2AP1S-W30](#) [935](#) [957](#) [30-498-6](#) [17-210051](#) [1734082-1](#) [30-1574](#) [30-470](#) [30-489](#) [30-541](#) [30-572-3](#) [MAB 8 SN V](#) [A-USB A-](#)
[2P-C](#) [MIKROE-1451](#) [USBFTV2PEM2G](#) [USBFTVC6ZN](#) [KUSBX-AS2N-W30](#) [KUSBX-SLAS1N-W](#) [KUSBX-SMT-AS1N-W30](#) [4689-1](#) [1-](#)
[1734084-2](#) [E8110-001-01](#) [MUSBA81130](#) [33UBARS1-04SW11](#) [33UBAR-04SW11](#) [USBF21ZNSCC](#) [USBBFTV6ZC](#) [10135326-001LF](#)
[M9177/3-1](#) [USB-A-S-F-B-VT](#) [925](#) [4198](#) [690-024-633-031](#) [KUSBEX-BSFS1N-W](#) [USBFTVC6MRG](#)