

**NEW**



Micro-USB Connector

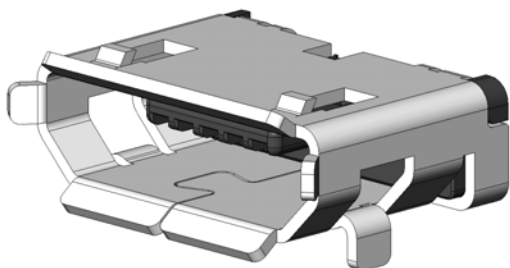
CONNECTOR

# DX4 Series

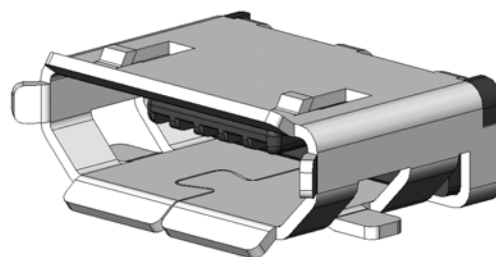
MB-0187-1

August 2008

<b>RoHS Compliant</b>
-----------------------



[Through-hole mount Type]



[Surface mount Type]

The DX4 Series is a compact and slim connector that is compatible with the Micro-USB type USB connector, newly standardized by the USB Implementers Forum, Inc.

<b>Features</b>
-----------------

- Compatible with Universal Serial Bus Micro-USB Cables and Connectors Specification, Revision 1.01
- Connector type: Type B
- Slim, space saving connector with 2.35mm height, 5mm depth
- Available in through-hole mount type and surface mount type
- Structure with enhanced resistant to twisting through use of high strength stainless steel.

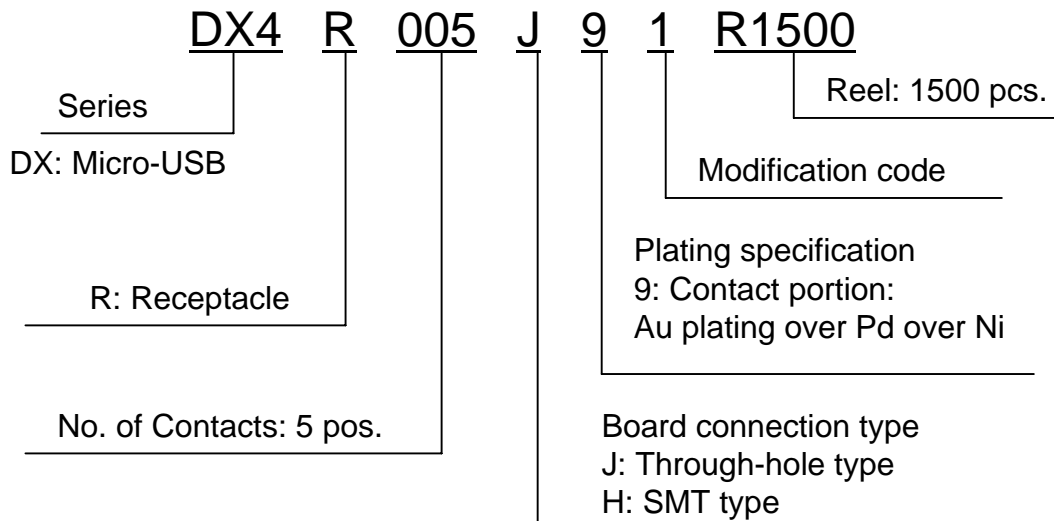
<b>General Specifications</b>
-------------------------------

- |   |                                  |
|---|----------------------------------|
| ■No. of contacts: 5 pos.                    | ■Rated voltage: 1.8A (Vbus, GND) |
| ■Contact resistance:                        | Others 0.5A                      |
| 30m ohm max. (initial)                      | ■Rated Voltage: AC30Vrms         |
| ■Dielectric withstanding voltage:           | ■Operating temperature:          |
| DC500 per minute                            | -30 Deg. C to +80 Deg. C         |
| ■Insulation resistance: 1000M ohm (initial) | ■Durability: 10,000 times        |

Materials and Finishes

Component	Material/ Finish
Insulator	Glass filled nylon resin UL94V-0
Contact	Copper alloy/ Contact area: Au plating over Pd over Ni Terminal area: Au flash plating over Ni
Shell	Stainless steel/ Sn plating over Ni

Ordering Information

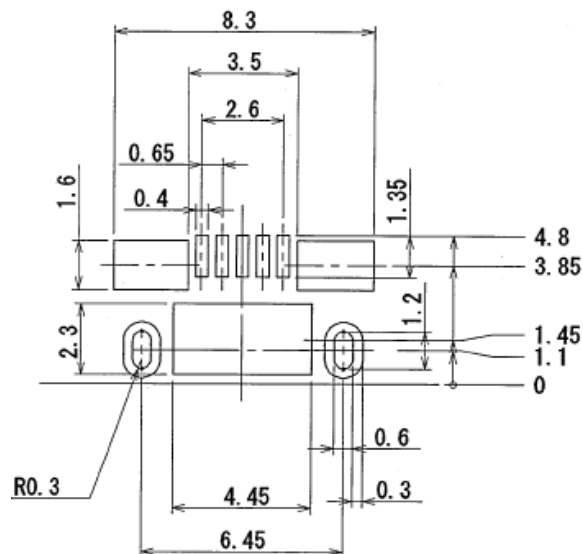
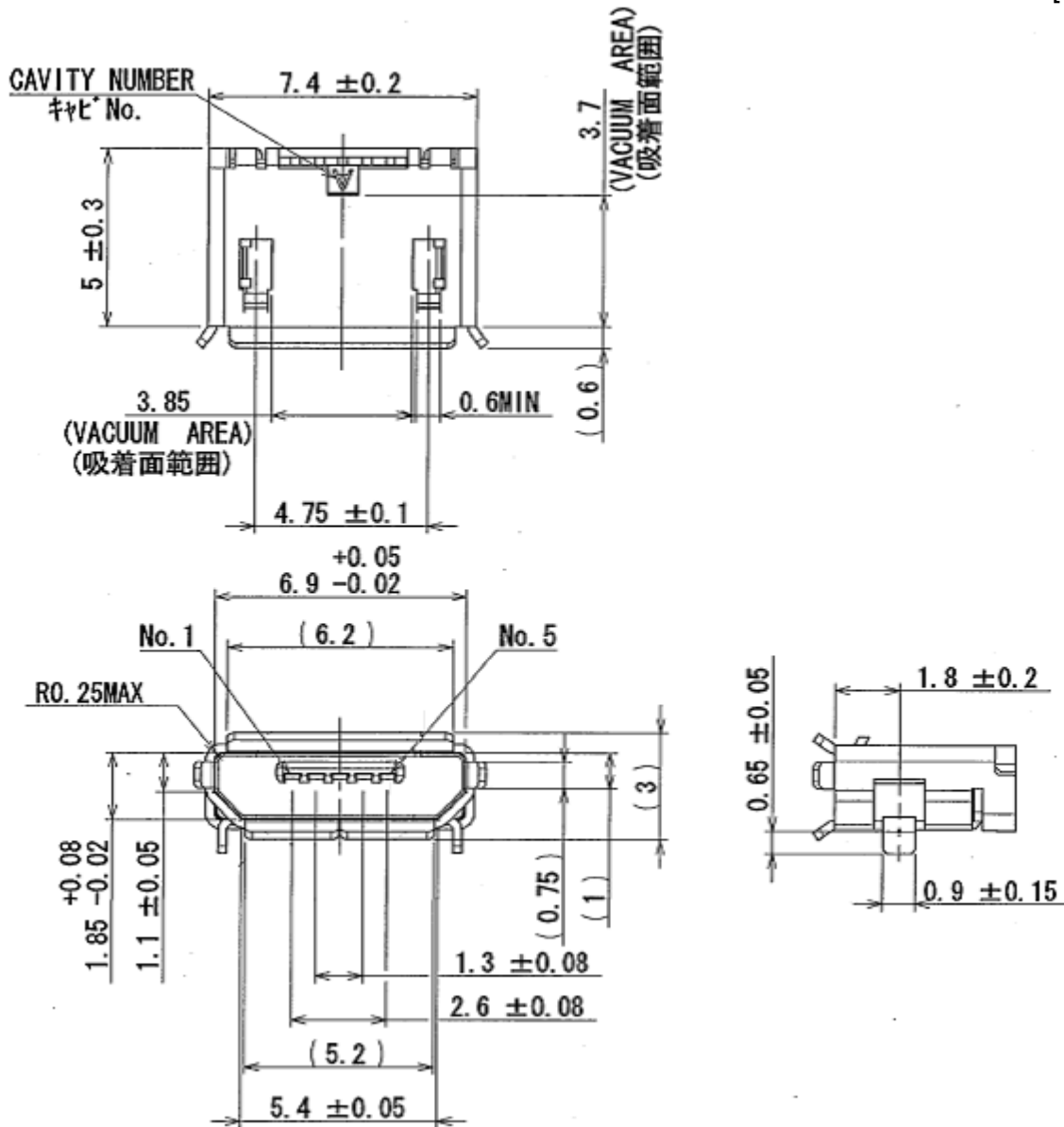


Micro-USB Connector Type	Part Number	SJ Drawing	Specifications
Type B	Individual Product (Through-hole Type): DX4R005J91	SJ107045	JACS-30097
	Reel (Through-hole Type): DX4R005J91R1500	SJ107053	
	Individual Product (SMT Type): DX4R005H91	SJ107089	
	Reel (SMT Type): DX4R005H91R1500	SJ107387	

Note: Please place your order in reel units.

Through-hole Type: DX4R005J91

Unit: [mm]



Applicable Dimensions of Board (for Reference)



## X-ON Electronics

Largest Supplier of Electrical and Electronic Components

*Click to view similar products for [USB Connectors](#) category:*

*Click to view products by [JAE](#) manufacturer:*

Other Similar products are found below :

[65-647-8-BK-BU](#) [950](#) [E8144-B01021-L](#) [A-USB A-LP-SMT-C](#) [A-USB B-TOP-C](#) [MUSBA511N5](#) [MUSBD11135](#) [217450-1](#) [CA 6 W LD](#)  
[KMBVX-TH-5S-B30](#) [896-30-004-00-000000](#) [KUSBVX-BS1N-W30](#) [KUSBX-AP-KIT-SCBLK](#) [KUSBX-AS2N-W](#) [KUSBX-SMT2AP1S-W](#)  
[KUSBX-SMT2AP1S-W30](#) [935](#) [957](#) [30-498-6](#) [17-210051](#) [1734082-1](#) [30-1574](#) [30-470](#) [30-489](#) [30-541](#) [30-572-3](#) [MAB 8 SN V](#) [A-USB A-](#)  
[2P-C](#) [MIKROE-1451](#) [USBFTV2PEM2G](#) [USBFTVC6ZN](#) [KUSBX-AS2N-W30](#) [KUSBX-SLAS1N-W](#) [KUSBX-SMT-AS1N-W30](#) [4689-1](#) [1-](#)  
[1734084-2](#) [E8110-001-01](#) [MUSBA81130](#) [33UBARS1-04SW11](#) [33UBAR-04SW11](#) [USBF21ZNSCC](#) [USBBFTV6ZC](#) [10135326-001LF](#)  
[M9177/3-1](#) [USB-A-S-F-B-VT](#) [925](#) [4198](#) [690-024-633-031](#) [KUSBEX-BSFS1N-W](#) [USBFTVC6MRG](#)