

NEW

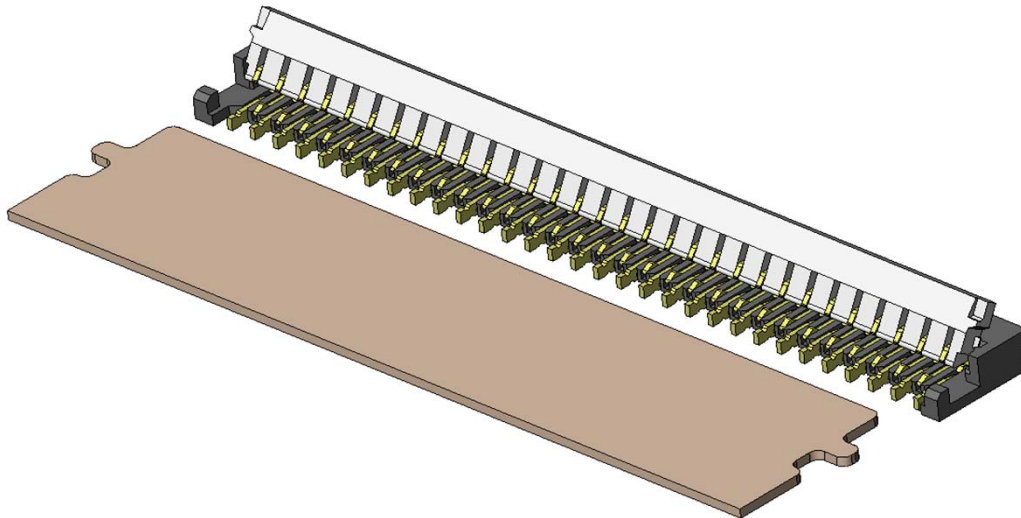


0.3mm Pitch, 0.9 mm Height, FPC Connector CONNECTOR

FB10-JT1 Series

MB-0310-1

June 2016



The FB10-JT1 Series is a 0.3mm pitch, low profile, bottom-surface connection type FPC connector ideally suited for ever-smaller portable devices such as smartphones, tablet PCs, and digital cameras.

Features

- Space saving FPC connector with 0.3mm pitch, 0.9mm height, 2.5mm depth.
- Applicable FPC thickness $0.2\text{mm} \pm 0.03\text{mm}$, ZIF structure, bottom-surface connection type.
- Guides on the sides of the FPC prevent misalignment by temporary holding the FPC in place until the actuator locks.
- Easy actuator operation
- Open actuator is lightly locked in place so it does not interfere with FPC insertion.
- Board pattern traces are possible under the connector (excluding terminal area).
- Pb-free, halogen-free compliant product.
- Ni barrier prevents solder wicking.
- Compatible with up to DC 0.35A per terminal.

General Specifications

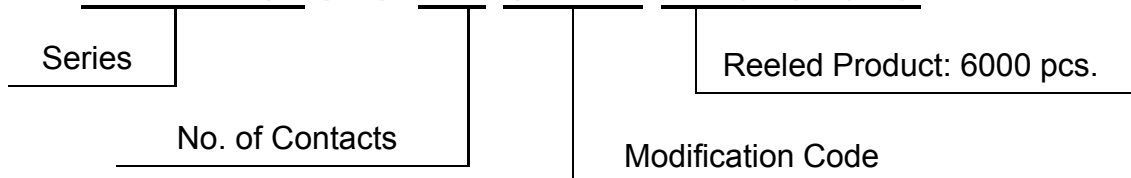
- | | |
|--------------------------------------------------------------|---------------------------------------------------|
| ■ No. of Contacts: 11 to 61 pos. | ■ Rated Current: DC 0.35A per terminal |
| ■ Contact Resistance: 80mΩ max | ■ Rated Voltage: AC, DC 50V per terminal |
| ■ Dielectric Withstanding Voltage:
AC250Vr.m.s per minute | ■ Applicable FPC Thickness:
0.2mm \pm 0.03mm |
| ■ Operating Temperature:
-40 Deg. C to +85 Deg. C | ■ Pitch: 0.3mm staggered alignment |
| ■ Durability: 20 mating cycles | |

Materials and Finishes

Component	Material / Finish
Housing	Heat-resistant resin (White, Halogen-free)
Actuator	Heat-resistant resin (Black, Halogen-free)
Contact (2 types)	Copper alloy / Au plating over Ni Contact area: 0.03μm min. Au plating Terminal area: 0.03μm min. Au plating

Ordering Information

F B 1 0 S 0 * * J T 1 R 6 0 0 0

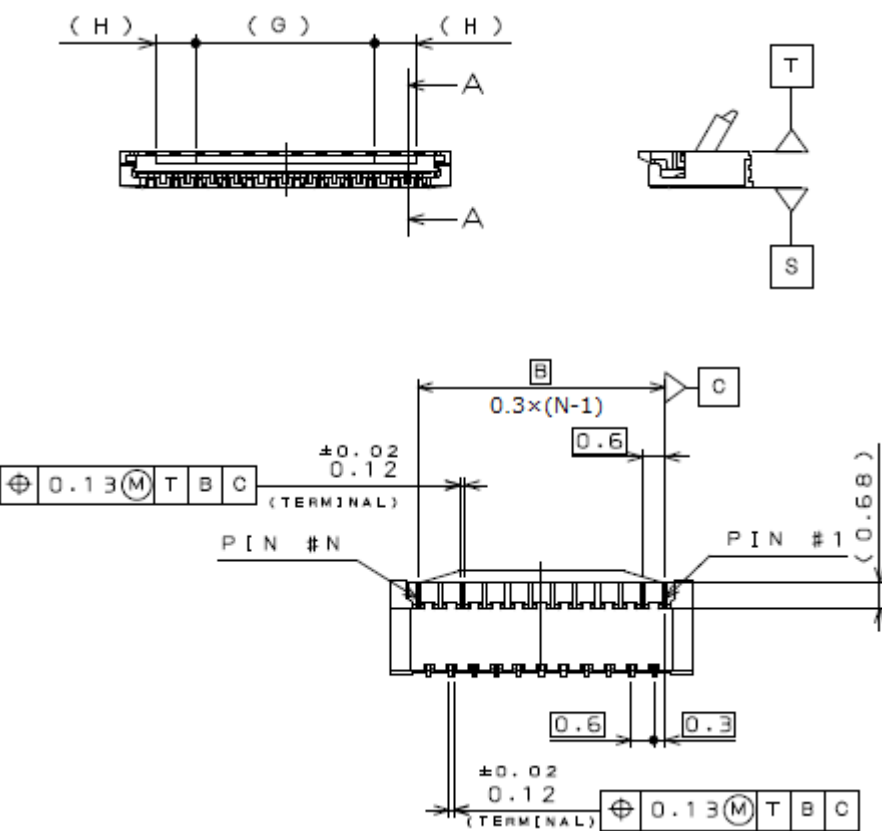
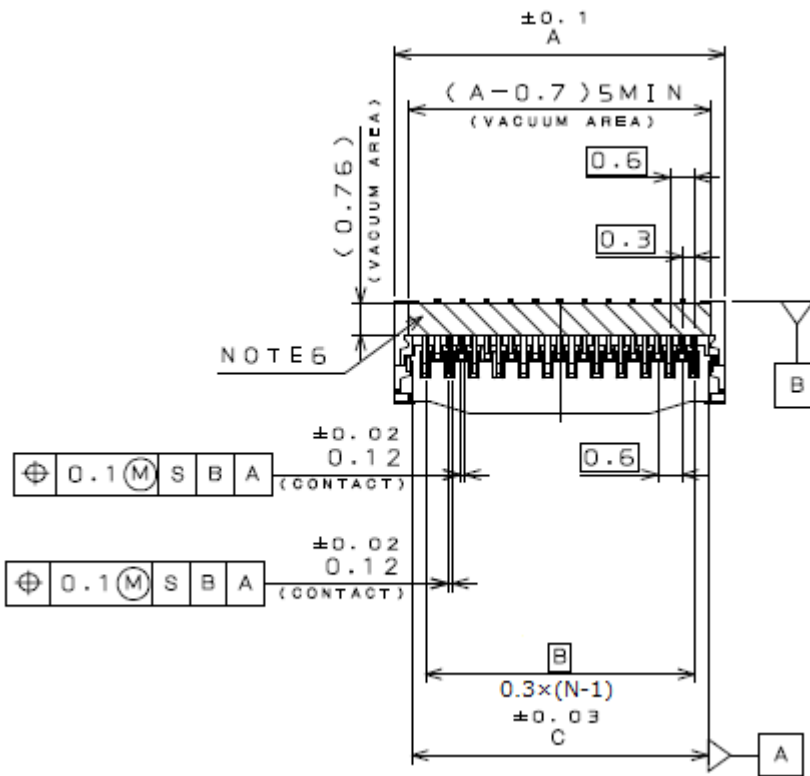


Developed No. of Contacts

No. of Contacts
11
13
15
19
21
25
27
31
33
35
39
41
45
51
61

Part Number	SJ Drawing
FB10S0**JT1	SJ115744

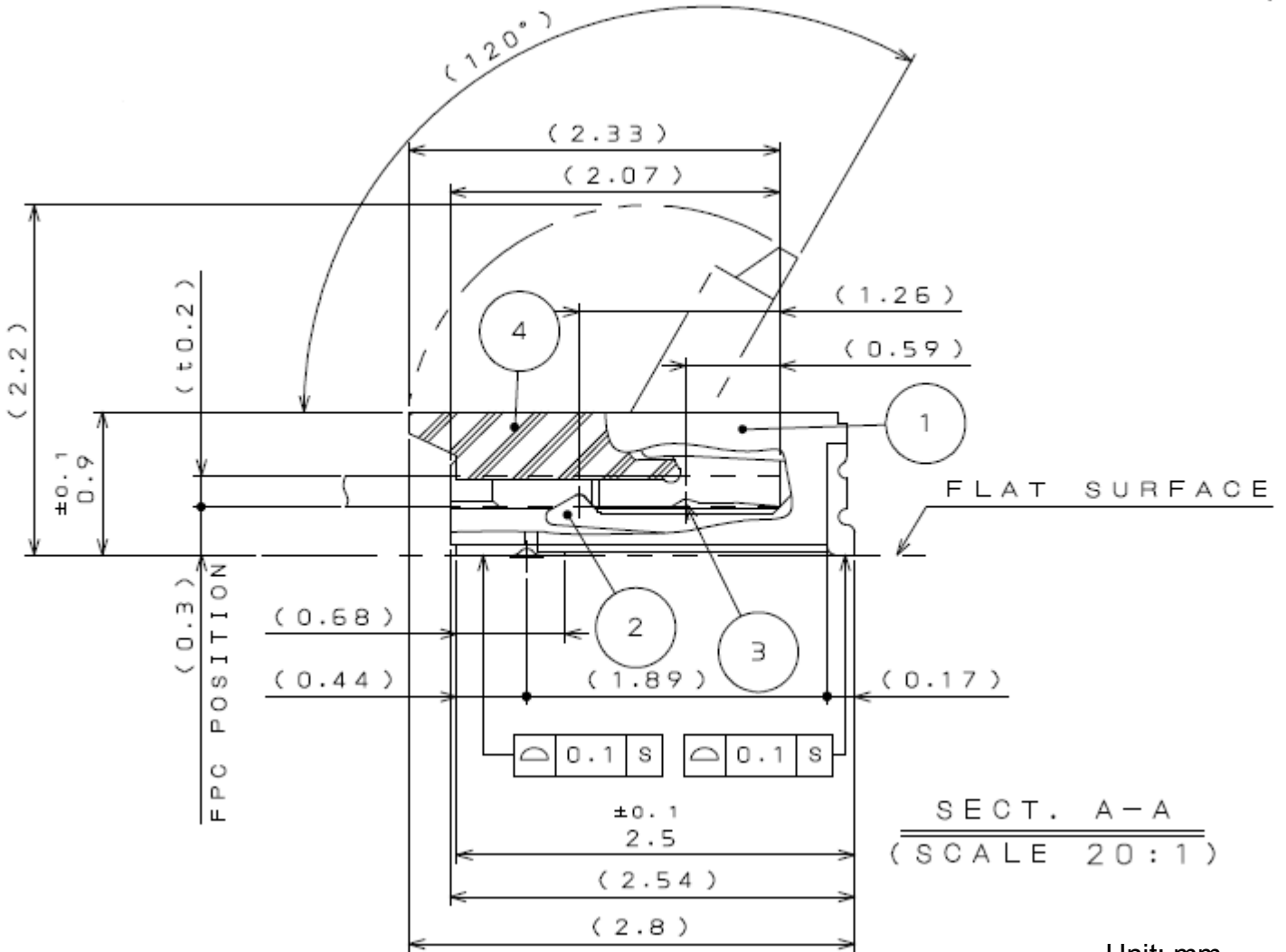
No. of Contacts	Dim. A	Dim. B	Dim. C
11	4.5	3.0	3.67
13	5.1	3.6	4.27
15	5.7	4.2	4.87
19	6.9	5.4	6.07
21	7.5	6.0	6.67
25	8.7	7.2	7.87
27	9.3	7.8	8.47
31	10.5	9.0	9.67
33	11.1	9.6	10.27
35	11.7	10.2	10.87
39	12.9	11.4	12.07
41	13.5	12.0	12.67
45	14.7	13.2	13.87
51	16.5	15.0	15.67
61	19.5	18.0	18.67



No. of Contacts	Dim. G	Dim. H
11	2.0	0.5
13	2.0	0.5
15	3.0	0.5
19	3.0	0.5
21	3.0	0.5
25	3.0	0.5
27	3.0	0.5
31	5.0	1.0
33	5.0	1.0
35	5.0	1.0
39	5.0	1.0
41	8.0	1.0
45	8.0	1.0
51	8.0	1.0
61	8.0	1.0

Unit: mm

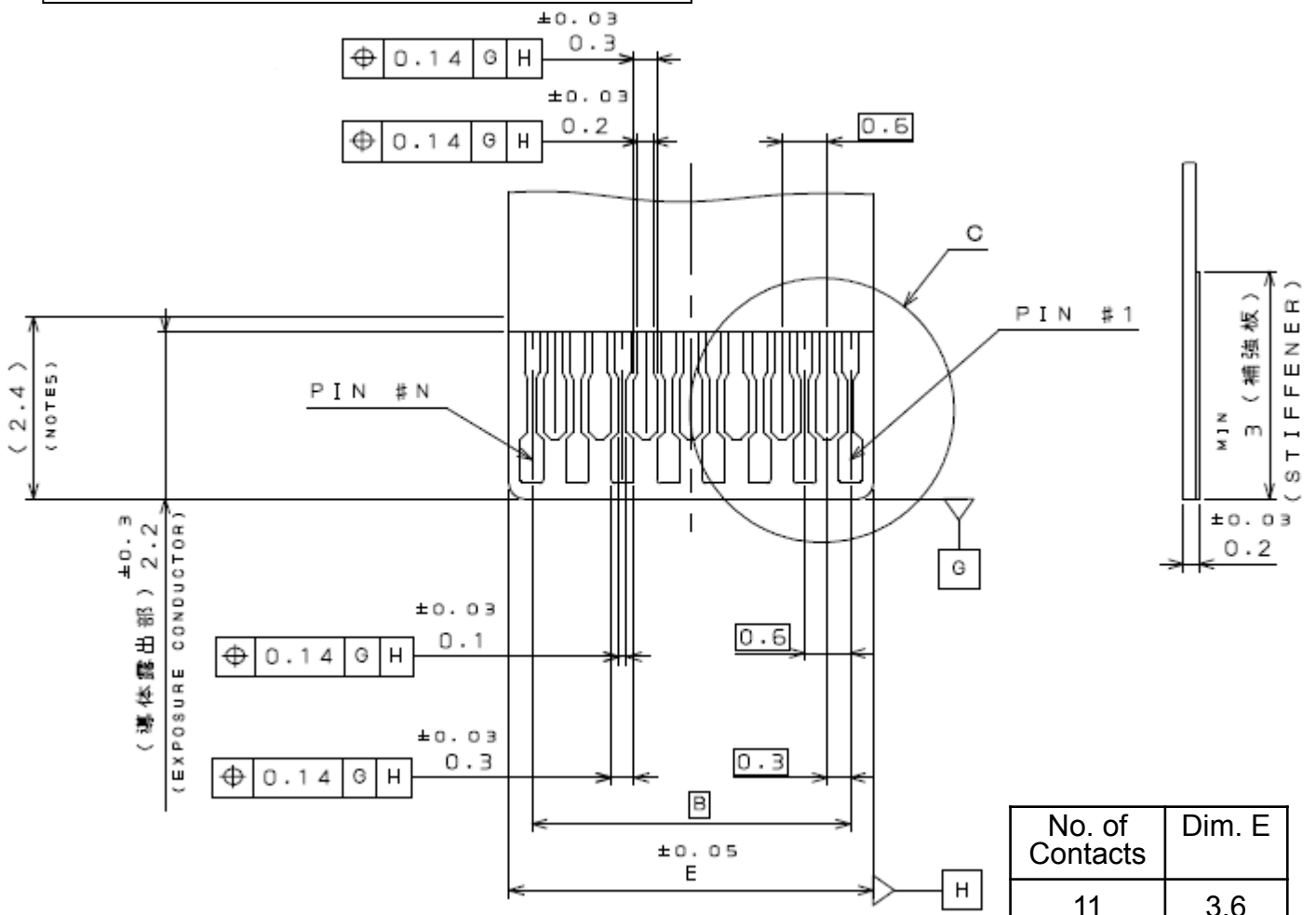
Part Number	SJ Drawing
FB10S0**JT1	SJ115744



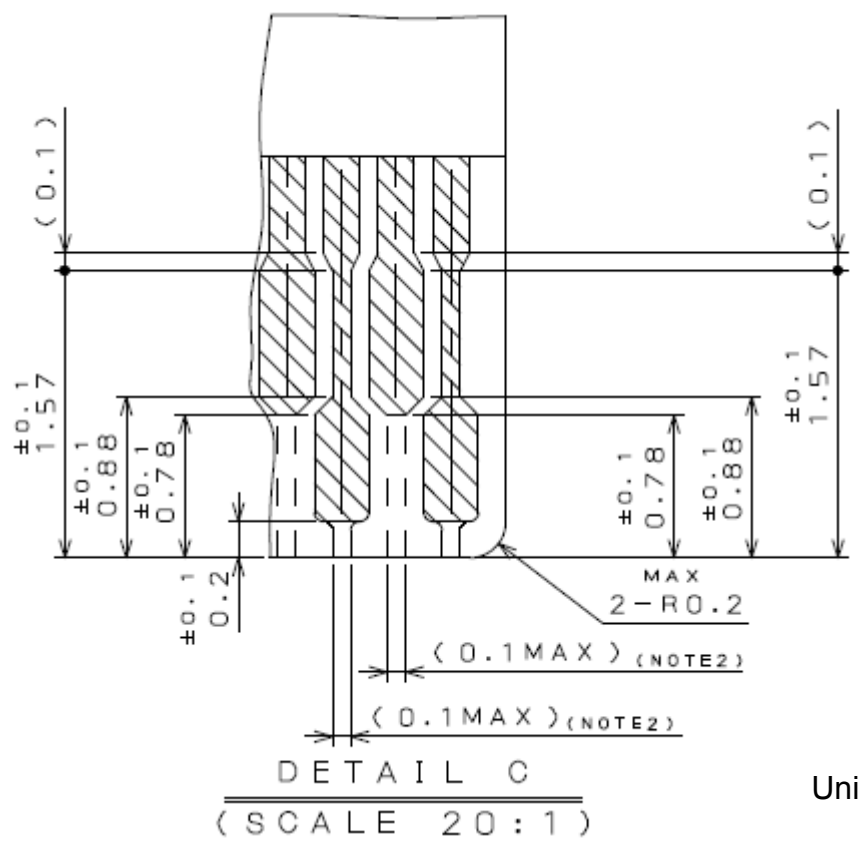
Unit: mm

4	Actuator	1	Heat-resistant Plastic	-	Color: Black
3	Contact 2	$\frac{(N-1)}{2}$	Copper Alloy	Partial Au plating over Ni Contact area: Au 0.03μm min. Terminal area: Au 0.03μm min.	-
2	Contact 1	$\frac{(N-1)}{2}$	Copper Alloy	Partial Au plating over Ni Contact area: Au 0.03μm min. Terminal area: Au 0.03μm min.	-
1	Base Insulator	1	Heat-resistant Plastic	-	Color: White
No.	Items	Pieces	Material	Finish	Remarks

Dimensions of FPC without guides

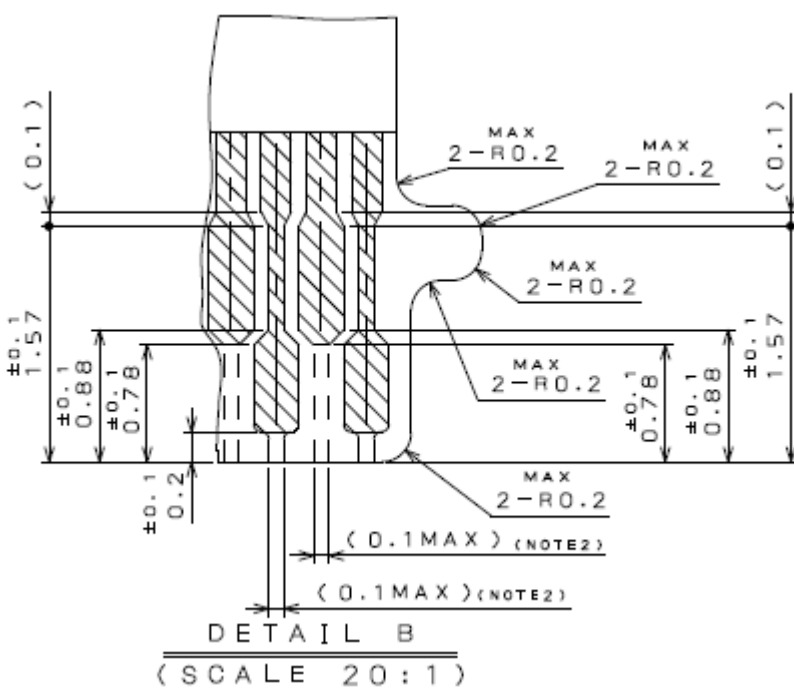
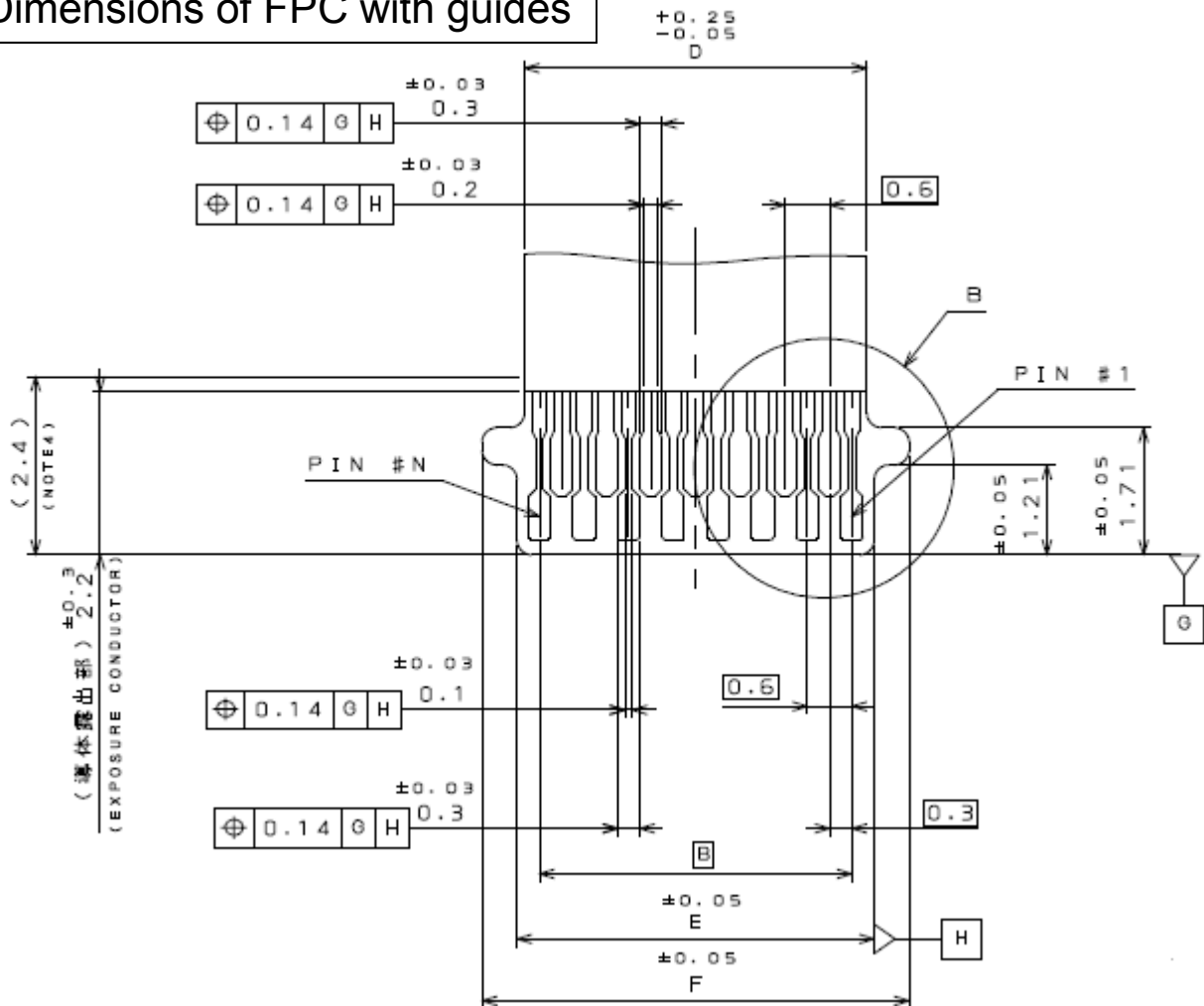


No. of Contacts	Dim. E
11	3.6
13	4.2
15	4.8
19	6.0
21	6.6
25	7.8
27	8.4
31	9.6
33	10.2
35	10.8
39	12.0
41	12.6
45	13.8
51	15.6
61	18.6



Unit: mm

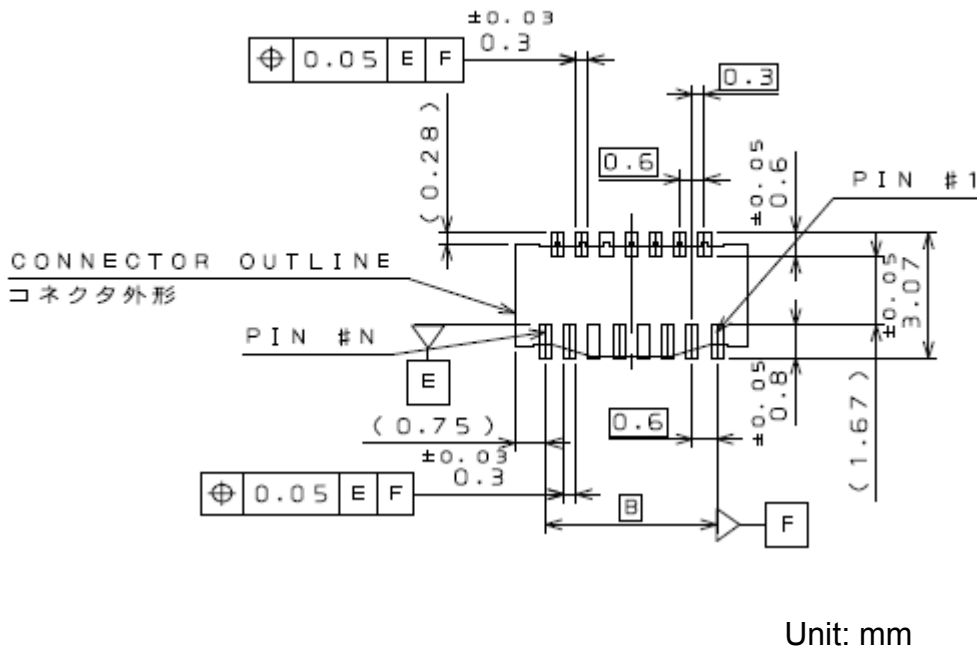
Dimensions of FPC with guides



No. of Contacts	Dim. D	Dim. E	Dim. F
11	3.4	3.6	4.54
13	4.0	4.2	5.14
15	4.6	4.8	5.74
19	5.8	6.0	6.94
21	6.4	6.6	7.54
25	7.6	7.8	8.74
27	8.2	8.4	9.34
31	9.4	9.6	10.54
33	10.0	10.2	11.14
35	10.0	10.8	11.74
39	11.8	12.0	12.94
41	12.4	12.6	13.54
45	13.6	13.8	14.74
51	15.4	15.6	16.54
61	18.4	18.6	19.54

Unit: mm

Applicable Board Dimensions



No. of Contacts	Dimension B
11	3.0
13	3.6
15	4.2
19	5.4
21	6.0
25	7.2
27	7.8
31	9.0
33	9.6
35	10.2
39	11.4
41	12.0
45	13.2
51	15.0
61	18.0

Technical Documents

Product Drawings	SJ115744 (Individual Product) SJ115745 (Reeled Product)
Specifications	JACS-10724-1
Handling Instructions	JAHL-10724-1

Notice:

1. The values specified in this brochure are only for reference. The products and their specifications are subject to change without notice. Contact our sales staff for further information before considering or ordering any of our products. For purchase, a product specification must be agreed upon.
2. Users are requested to provide protection circuits and redundancy circuits to ensure safety of the equipment, and sufficiently review the suitability of JAE's products to the equipment.
3. The products presented in this brochure are designed for the uses recommended below. We strongly suggest you contact our sales staff when considering use of any of the products in any other way than the recommended applications or for a specific use that requires an extremely high reliability.
 - (1) Applications that require consultation:
 - (i) Please contact us if you are considering use involving a quality assurance program that you specify or that is peculiar to the industry, such as:
Automotive electrical components, train control, telecommunications devices (mainline), traffic light control, electric power, combustion control, fire prevention or security systems, disaster prevention equipment, etc.
 - (ii) We may separately give you our support with a quality assurance program that you specify, when you think of a use such as:
Aviation or space equipment, submarine repeaters, nuclear power control systems, medical equipment for life support, etc.
 - (2) Recommended applications include:
Computers, office appliances, telecommunications devices (terminals, mobile units), measuring equipment, audiovisual equipment, home electric appliances, factory automation equipment, etc.

Japan Aviation Electronics Industry, Limited

Product Marketing Division
 Aobadai Building, 3-1-19, Aobadai, Meguro-ku, Tokyo 153-8539
 Phone: +81-3-3780-2882 FAX: +81-3-3780-2946

* The specifications in this brochure are subject to change without notice. Please contact JAE for information.

X-ON Electronics

Largest Supplier of Electrical and Electronic Components

Click to view similar products for [FFC & FPC Connectors](#) category:

Click to view products by [JAE](#) manufacturer:

Other Similar products are found below :

[FPH-1422G](#) [FPH-1602G](#) [K-FC20](#) [FH29B-80S-0.2SHW\(99\)](#) [FPH-2022G](#) [AYF332735](#) [52610-1075](#) [52610-1275](#) [52610-1934](#) [501864-3091-TR225](#) [086222026001800](#) [52610-0675](#) [62684-36210E9ALF](#) [52746-1671-TR250](#) [10051922-2810EHLF](#) [6-520415-9](#) [SFV6R-1STE9HLF](#) [XF3M-2915-1B-R100](#) [1658549-1](#) [AYF534065TA](#) [AYF351525](#) [086212040340800+](#) [AYF530365TA](#) [67000-014LF](#) [67000-004LF](#) [006207341915000+](#) [DS1020-19RT1D](#) [67000-003LF](#) [67000-011LF](#) [67000-016LF](#) [HFW14R-2STE9LF](#) [SFV32R-2STBE9HLF](#) [SFW12R-5STE9LF](#) [SFW18R-1STAE9LF](#) [SFW4R-5STE9LF](#) [52807-0430](#) [046283021002868+](#) [THD1015-8CL-SN](#) [67000-006LF](#) [502250-8027](#) [104267-9617](#) [66987-011LF](#) [AYF362535](#) [F0501-T-50-20T-R](#) [F1003-ZV-12-25T-R](#) [HFW8S-2STAE1HLF](#) [67000-008LF](#) [67000-012LF](#) [ECC576069EU](#) [F1002-B-20-20T-R](#)