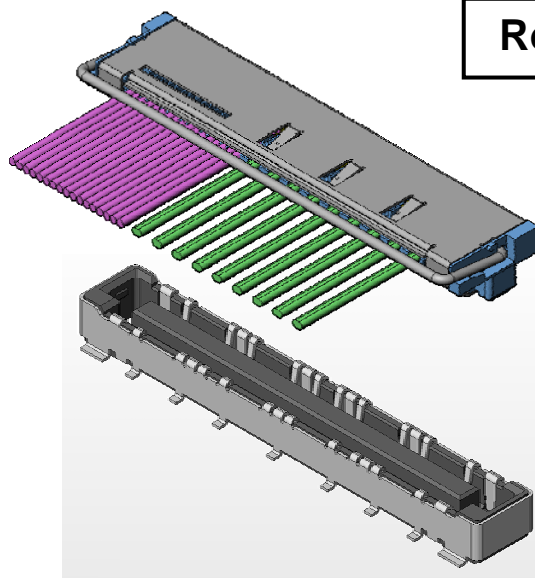


NEW
Board to Cable Connector Compatible to High Speed
Differential Transmission

CONNECTOR

MB-0141-2

July 2006

FI-D Series**RoHS Compliant**

The FI-D series are high speed differential transmission connectors for LCD panel.

Features

- Ground condition is reinforced to improve EMI characteristics.
- Soldering connection of plug side is possible at once.
(compatible to twin coaxial and discrete cable)
- Height variations for receptacle, can be selected from 4 heights.
Mating height: 4.40mm, 7.35mm, 8.50mm, and 9.35 mm

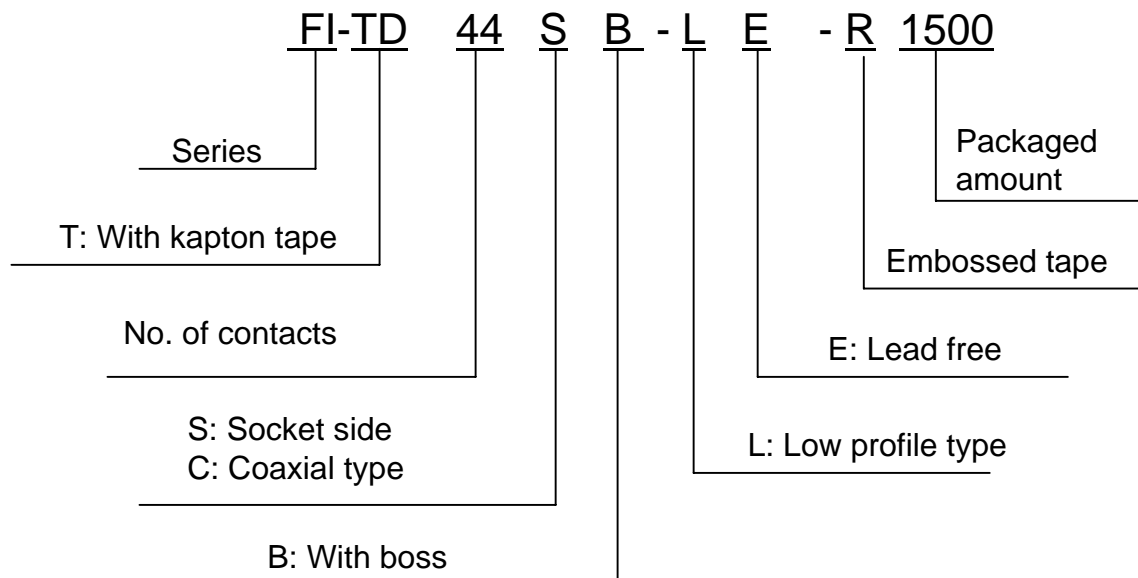
General Specifications

- No. of contacts :44 pos.
- Contact resistance: 70m ohm max.
- Dielectric withstanding voltage: 500Vr.m.s per minute
- Operating temperature: -40 Deg. C to +85 Deg. C
- Rated current: 0.5A /1pin
- Lifetime: 30 times
- Applicable cable: Contact No. 1 to 17 Discrete (AWG #40) or Coaxial (AWG #40)
Contact No. 18 to 44 Twin-Coaxial (AWG #32)

Materials and Finishes

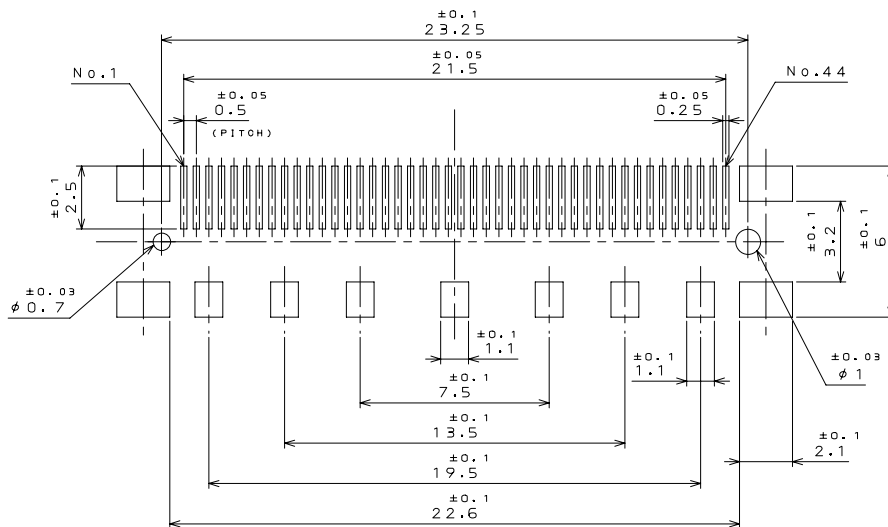
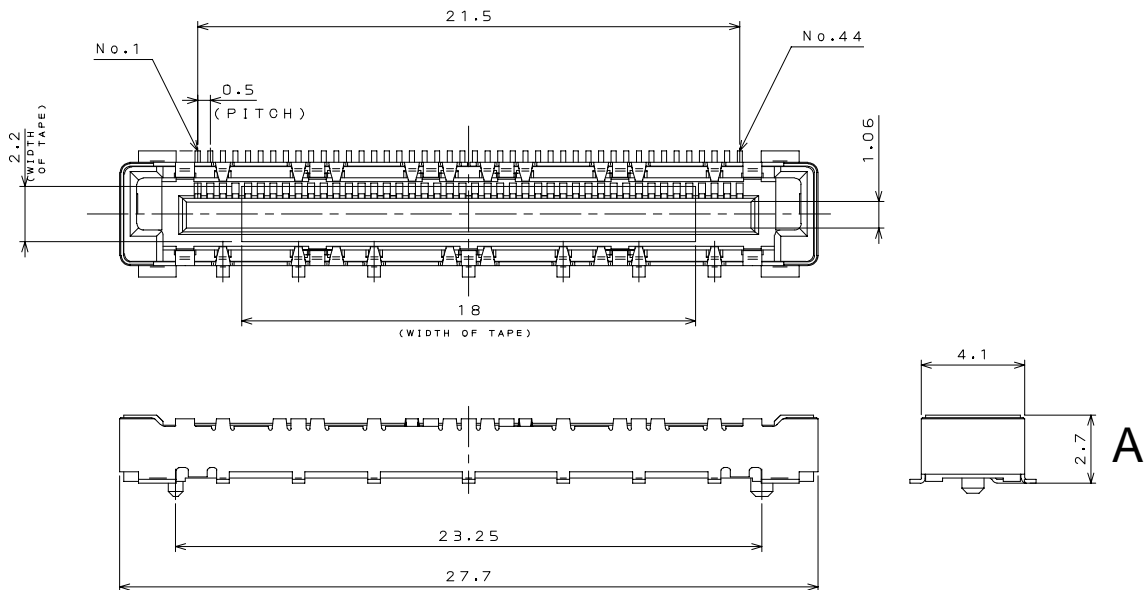
Components	Materials /Finishes
Receptacle	
Contact	Copper Alloy/ Contact area: 0.76um min. Au plating over Ni Terminal area: Sn plating over Ni
Insulator	Thermoplastic resin UL94V-0 black
Shell	Stainless steel: Sn plating
Plug	
Contact	Copper Alloy/ Contact area: 0.76um min. Au plating over Ni Terminal area: Sn or Au flash plating over Ni
Insulator	Thermoplastic resin UL94V-0 black
Shell	Copper alloy: Sn plating
Shell (plug side)	
Shell	Stainless steel: Sn plating over Ni

Ordering Information



Receptacle side: FI-TD44SB-LE (SJ101013)

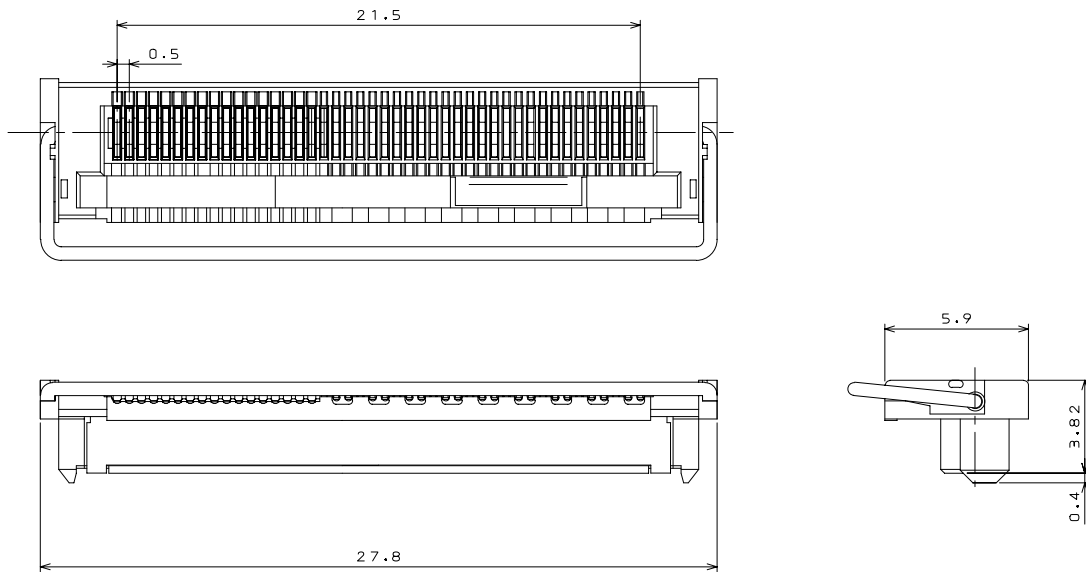
Emboss packaged product: FI-TD44SB-LE-R1500 (SJ101015)



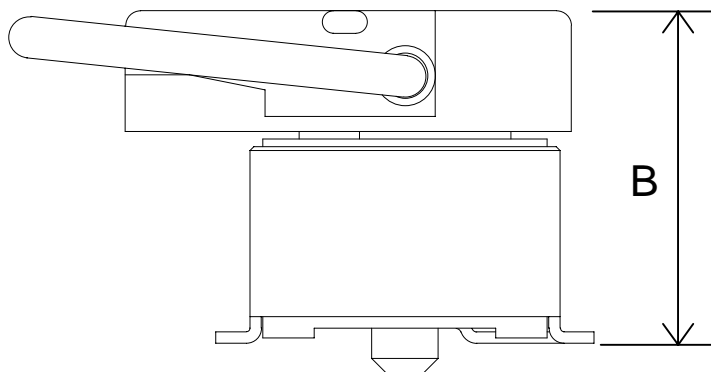
Unit: mm

Part Number	SJ Drawing	Dimension A	Dimension B
FI-TD44SB-VF93 (-R750)	SJ100866 (SJ100867)	7.65	9.35
FI-TD44SB-VF85 (-R750)	SJ102166 (SJ102167)	6.80	8.50
FI-TD44SB-E (-R750)	SJ101238 (SJ101239)	5.65	7.35
FI-TD44SB-LE (-R1500)	SJ101013 (SJ101015)	2.70	4.40

Plug side: FI-D44C2-E (SJ101236)



Mating height



Unit: mm

Part Number	SJ Drawing
FI-D44C2-E	SJ101236
FI-D44C2-SH-BE-8000	SJ101237

Notice: Products shown in this leaflet are made for the applications listed below. However, if the above-mentioned products are to be used in aerospace devices, marine cable-connection devices, atomic power control systems, medical equipment for life-support systems, or any other specific application requiring extremely high reliability, please contact JAE for further information.
 Recommended applications: computers, office machines, measuring devices, telecommunication devices (terminals, mobile devices), AV devices, household applications, FA devices, etc.

Japan Aviation Electronics Industry, Limited

Product Marketing Division
 Aobadai Building, 3-1-19, Aobadai, Meguro-ku, Tokyo 153-8539
 Phone: +81-3-3780-2787 FAX: +81-3-3780-2946

X-ON Electronics

Largest Supplier of Electrical and Electronic Components

Click to view similar products for [Headers & Wire Housings](#) category:

Click to view products by [JAE](#) manufacturer:

Other Similar products are found below :

[95000-104TRLF](#) [10135584-644402LF](#) [DF62W-EP2022PCA](#) [95000-106TRLF](#) [DF62W-2022SCA](#) [DF62W-EP2022PC](#) [2203348](#) [DF62W-2022SC](#) [1084018](#) [1029039](#) [1084017](#) [802-10-012-10-002000](#) [1112640](#) [1112639](#) [891-007-9SS-BST1T](#) [000-34000](#) [0008550134](#) [0009482033](#) [0009507031](#) [57102-F02-18ULF](#) [57102-S06-03LF](#) [57202-S52-04LF](#) [PCN6-15S-2.5E](#) [0039019024](#) [58102-G61-06LF](#) [582553-1](#) [0009485154](#) [0009508121](#) [009176003701906](#) [0022285053](#) [0050291907](#) [018731A](#) [LY20-4P-DT1-P1E-BR](#) [02.125.8002.8](#) [60101931](#) [60598-1 \(Cut Strip\)](#) [M1625-3R/100](#) [61062-3](#) [61082-181009](#) [CSU011177004](#) [636-1427](#) [638009-1](#) [641938-9](#) [641991-4](#) [644168-1](#) [644827-2](#) [647662-1](#) [65039-019ELF](#) [65692-001LF](#) [65781-018](#)