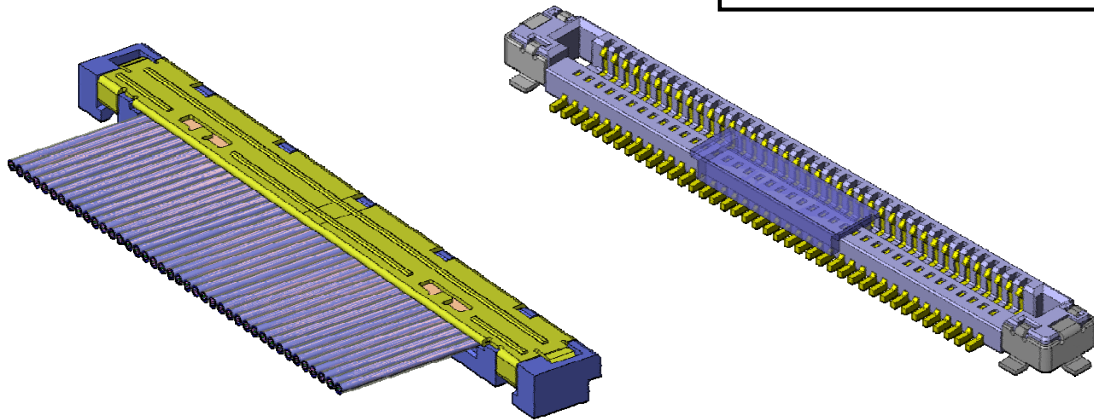




FI-J Series

MB-0143-3

October 2008

RoHS Compliant

The FI-J Series is a thin-wire coaxial connector compatible with 42 and 44 AWG wires, and it is ideally suited for compact devices. The FI-J achieves remarkable space saving on the board and is small enough to pass through a narrow hinge after the harness is assembled.

Features

- Plug side can pass through 3.6mm dia. hinge after harness assembly. (40 position, 42 AWG)
- 2.5mm depth, 21.7mm width (for 40 position), with 1.58mm height when mated
- Stable connection ensured by 0.4mm effective contact length
- Highly reliable structure of supporting the contact points with each contact
- Enhanced connection stability with gold-plated ground contact points on plug and receptacle
- Mis-mating prevention structure
- Compatible with 42 and 44 AWG wires. (Proven harness assembly compliance)
- Receptacle side: Available on embossed tape for automatic mounting
- Receptacle side: Solder migration prevention structure with Ni barrier

General Specifications

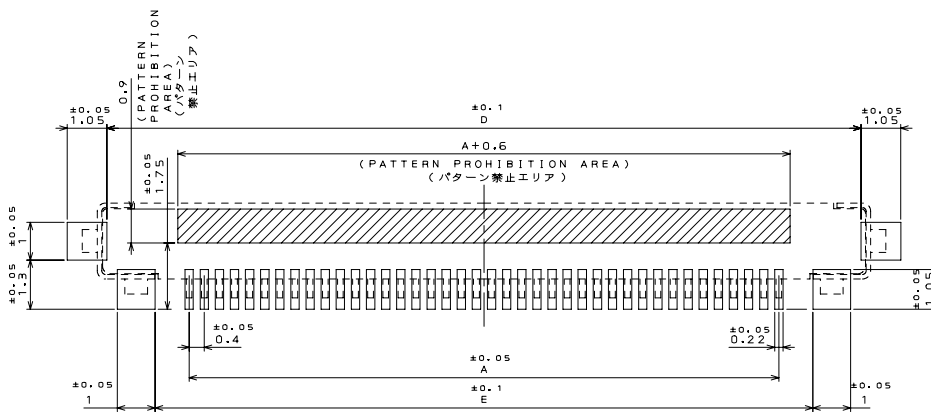
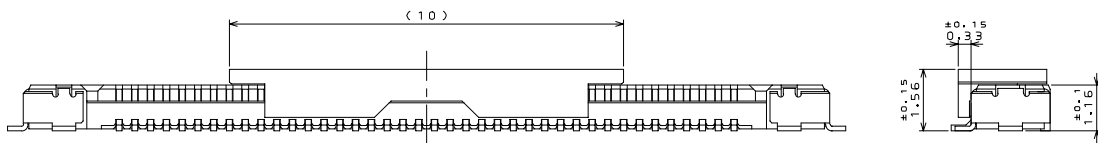
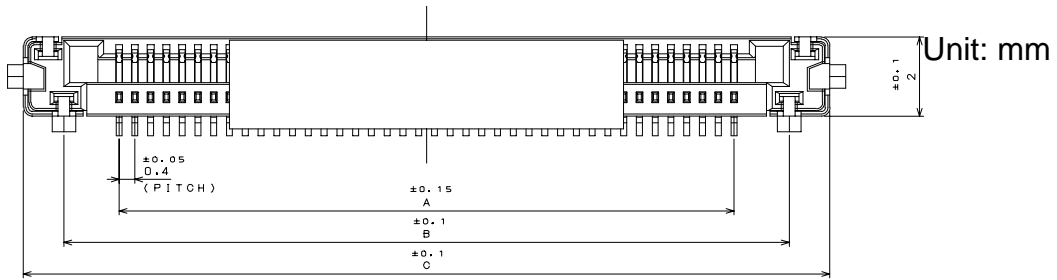
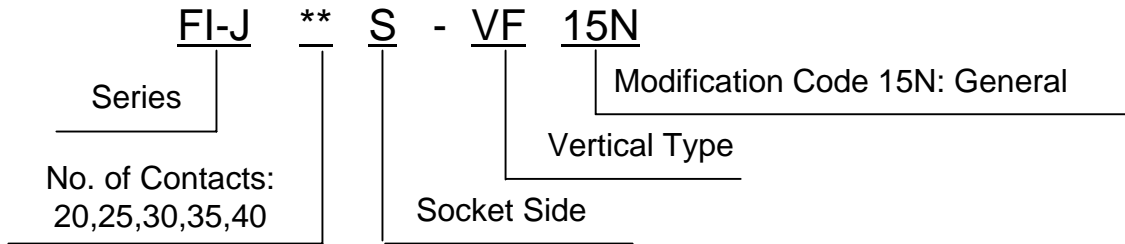
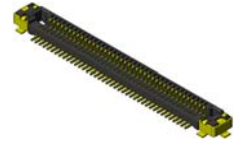
- | | |
|---|--|
| ■No. of contacts : 20, 25, 30, 35, 40 pos. | ■Rated Current: AC, DC each 0.3A per pos. |
| ■Pitch: 0.4mm | ■Rated Voltage: AC, DC each 50V per pos. |
| ■Operating Temperature:
-40 Deg. C to +85 Deg. C | ■Insulation Resistance: 100M ohm min. |
| ■Contact Resistance: 40m ohm max. | ■Dielectric Withstanding Voltage :
AC 250Vr. m.s per minute |
| ■Life Time: 30 times | ■Applicable Cable: 42 to 44 AWG |

Materials and Finishes

Component	Material / Finish
Receptacle(FI-J**S-VF15N)	
Contact	Copper alloy / Contact portion and terminal portion: Au flash plating over Ni
Hold down	Copper alloy / Contact portion and terminal portion: Au flash plating over Ni
Insulator	Heat resistant plastic UL94V-0
Adsorption Insulator	Heat resistant plastic UL94V-0
Plug(FI-J**C5 / FI-J**C2-SH-D)	
Contact	Copper alloy / Contact portion and terminal portion: Au flash plating over Ni
Insulator	Heat resistant plastic UL94V-0
Shell	Stainless steel / Au plating over Ni

Ordering Information

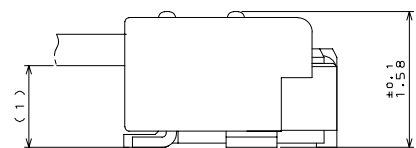
Receptacle Side
Individual Product (SJ104705)



Recommended dimension of board

Dimension Chart

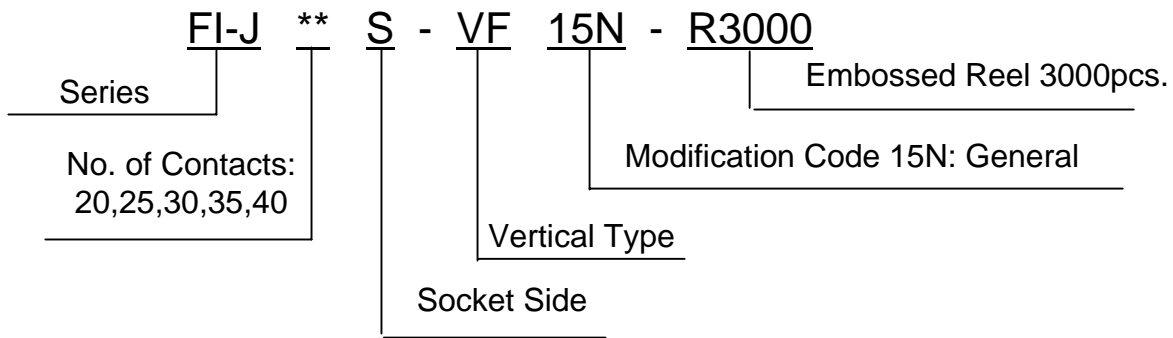
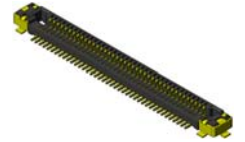
No. OF CONTACTS	20	25	30	35	40
A	7.6	9.6	11.6	13.6	15.6
B	10.4	12.4	14.4	16.4	18.4
C	12.46	14.46	16.46	18.46	20.46
D	11.95	13.95	15.95	17.95	19.95
E	9.4	11.4	13.4	15.4	17.4



Drawing when mated
(for reference)

Ordering Information

Receptacle Side
Embossed Product (SJ104708)

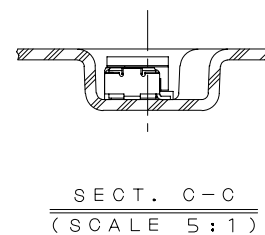
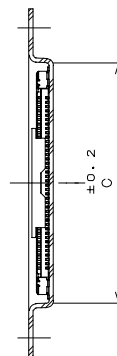
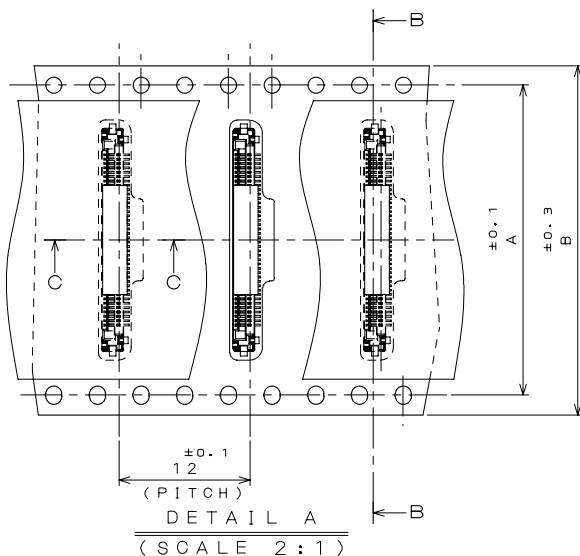
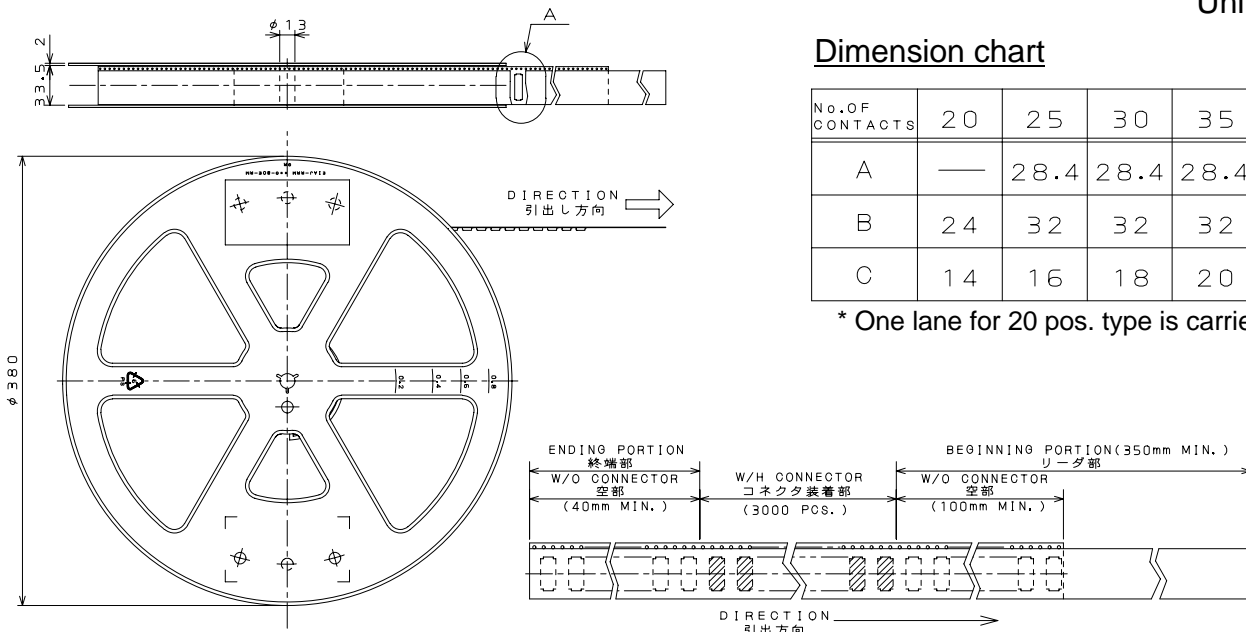


Unit: mm

Dimension chart

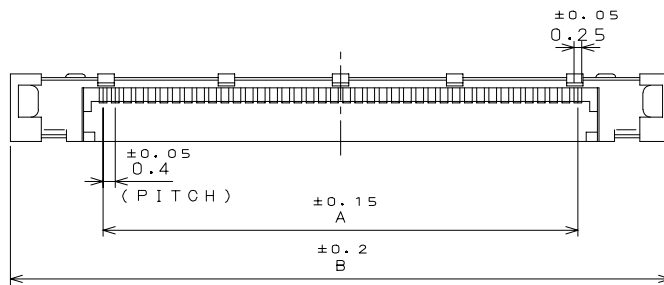
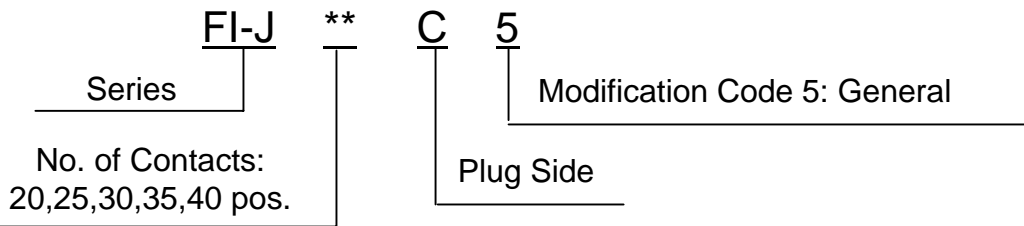
No. OF CONTACTS	20	25	30	35	40
A	—	28.4	28.4	28.4	28.4
B	24	32	32	32	32
C	14	16	18	20	22

* One lane for 20 pos. type is carrier.

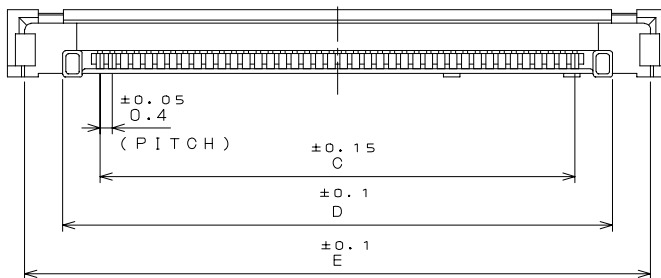
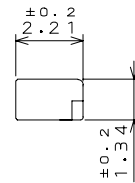
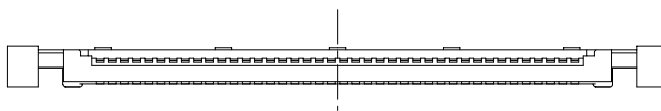


Ordering Information

Plug Side, Insulator (SJ106631)



Unit: mm

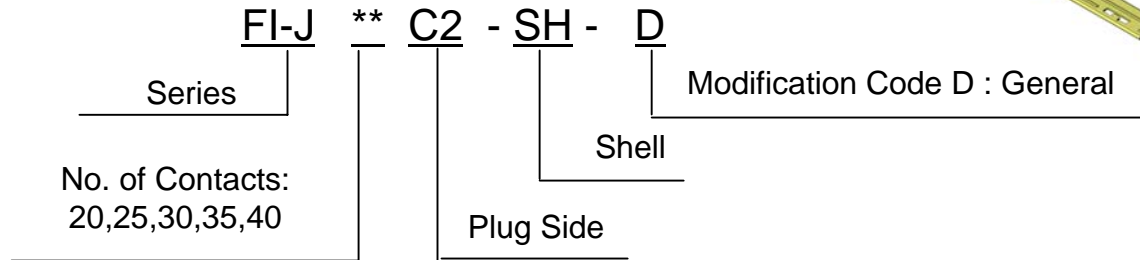


Dimension Chart

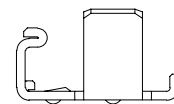
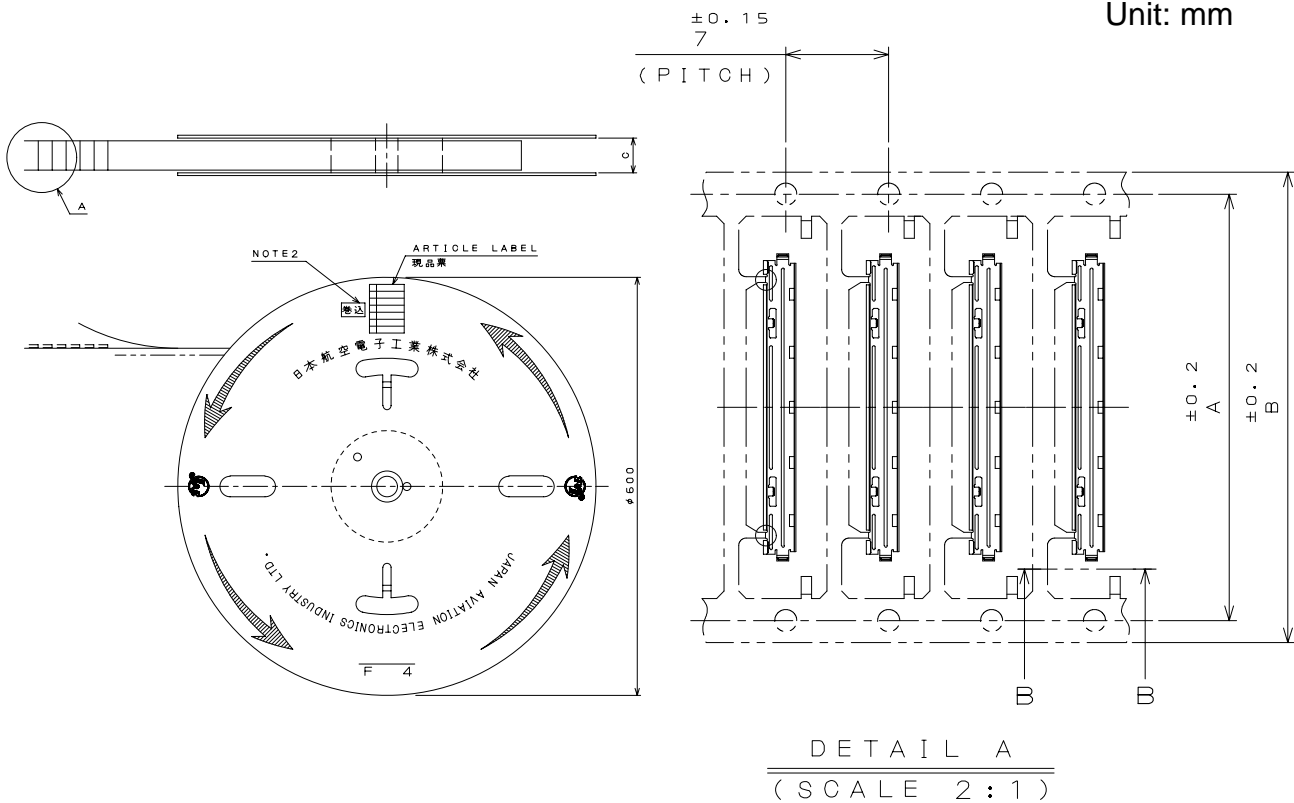
N _{O.} OF CONTACTS	20	25	30	35	40
A	7.6	9.6	11.6	13.6	15.6
B	13.7	15.7	17.7	19.7	21.7
C	7.6	9.6	11.6	13.6	15.6
D	10.06	12.06	14.06	16.06	18.06
E	12.56	14.56	16.56	18.56	20.56

Ordering Information

Plug Side, Shell (SJ104707)



Unit: mm



VIEW B-B

Dimension Chart

No. OF CONTACTS	20	25	30	35	40
A	21	23	25	27	29
B	24	26	28	30	32
C	26	32	32	32	40

Related Documents

- Product Specification Chart (JACS): JACS-10217
- Harness Assembly Handling Instructions (JAHL):
JAHL-10217-04
- Connector Handling Instructions (JAHL):
JAHL-10217-20
- Connector Insertion /Extraction Tools:
Drawing No. : SJ713182-00
Part Number: SC-FIJ-1
Handling Instructions: T713182

Japan Aviation Electronics Industry, Limited

Product Marketing Division

Aobadai Building, 3-1-19, Aobadai, Meguro-ku, Tokyo 153-8539

Phone: +81-3-3780-2787 FAX: +81-3-3780-2946

Notice: Products shown in this leaflet are made for the applications listed below. However, if the above-mentioned products are to be used in aerospace devices, marine cable-connection devices, atomic power control systems, medical equipment for life-support systems, or any other specific application requiring extremely high reliability, please contact JAE for further information.

Recommended applications: computers, office machines, measuring devices, telecommunication devices (terminals, mobile devices), AV devices, household applications, FA devices, etc.

X-ON Electronics

Largest Supplier of Electrical and Electronic Components

Click to view similar products for [RF Connectors](#) / [Coaxial Connectors](#) category:

Click to view products by [JAE](#) manufacturer:

Other Similar products are found below :

[R125315120](#) [8915-1511-000](#) [89674-0827](#) [5916-1103-603](#) [6-0001-3](#) [6001-7071-019](#) [6002-7051-003](#) [6002-7551-202](#) [6059674-1](#) [619550-1](#)
[630059-000](#) [M39012/25-0021](#) [M39012/79-3008](#) [M39030/3-01N](#) [M39030/3-03N](#) [M3933/25-36N](#) [6500-7071-046](#) [M83723/72W24576](#)
[M83723/72W2457N](#) [6769](#) [CX050L2AQ](#) [7002-1541-010](#) [7002-1572-002](#) [7003-1572-002](#) [7004-1512-000](#) [7010-1511-000](#) [7029-1511-060](#)
[7101-1541-010](#) [7101-1571-002](#) [7105-1521-002](#) [7145-1521-002](#) [7209-1511-011](#) [7210-1511-015](#) [7210-1511-019](#) [7225-1512-050](#) [7242-1511-](#)
[000](#) [73137-5015](#) [73251-0111](#) [73251-0672](#) [7325-1512-000](#) [73276-1501](#) [73366-0013](#) [73404-2300](#) [73413-6080](#) [73415-5721](#) [7405-1521-005](#)
[7405-1521-802](#) [7406-1521-005](#) [804S01D04M040](#) [8145-1521-002](#)