

NEW

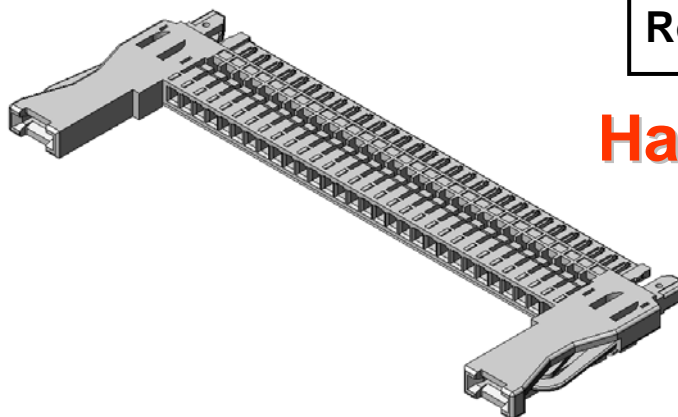
Board-to-Cable Connector for High Speed Differential
Transmission

FI-X30HL-B (FI-X Plug)

CONNECTOR

MB-0244-2

April 2012



RoHS Compliant

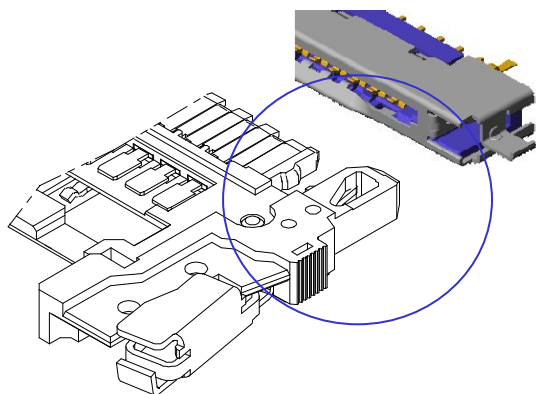
Halogen Free

JAE has developed a new plug for the FI-X 30 position notebook-PC LCD interface standard connector. The FI-X30HL-B is a crimp type plug that has improved lock operability, and is halogen free.

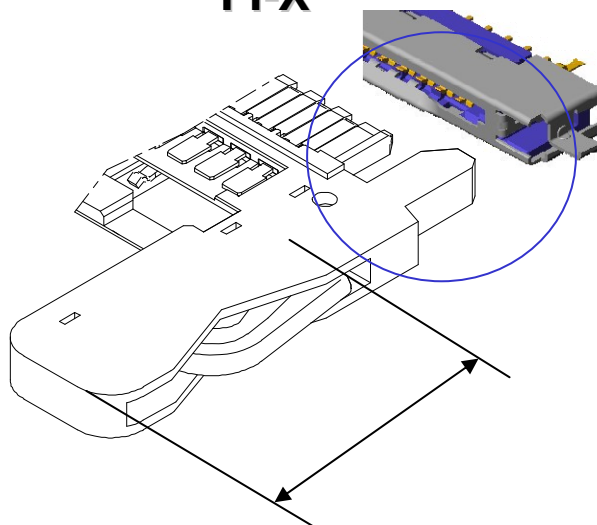
Features

- VESA standard connector, compatible with LVDS and DisplayPort transmission
- Improved operability and insertability with the new lengthened holding area
- Pb-free
- Halogen-free

**Old Lock
FI-X**



**New Lock
FI-X** New



Improved operability with lengthened holding area

General Specifications

- No of Contacts: 30 pos
- Contact Resistance: 40m ohm max.
- Dielectric Withstanding Voltage:
AC 500Vr.m.s per minute
- Operating Temperature:
-40 Deg. C to 80 Deg. C
- Rated Current: AC, DC each 1A per pos.
- Rated Voltage: AC, DC each 200V per pos.
- Insulation Resistance: 100M ohm min.
- Contact Pitch: 1mm

Materials and Finishes

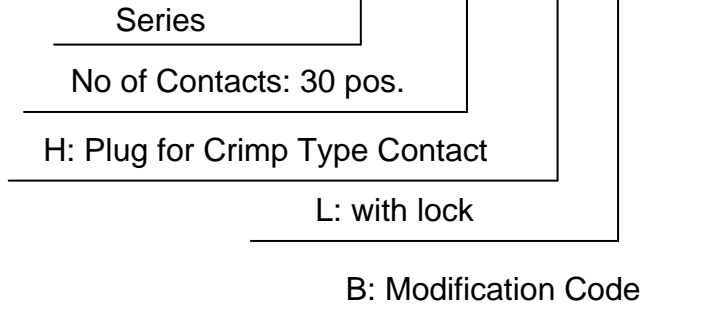
Plug Connector FI-X30HL-B

Component	Material / Finish
Lock Lever	Stainless steel / None
Insulator	Heat resistance plastic / None
Shell	Stainless steel / Sn plating

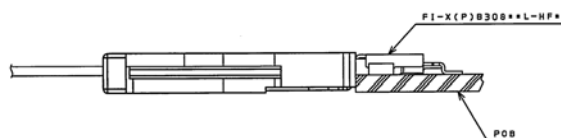
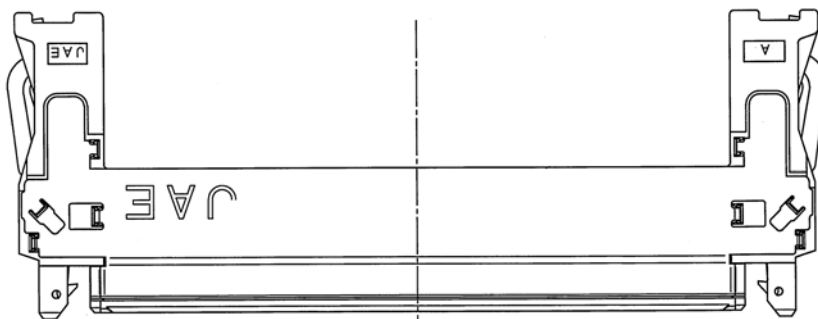
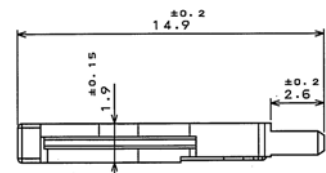
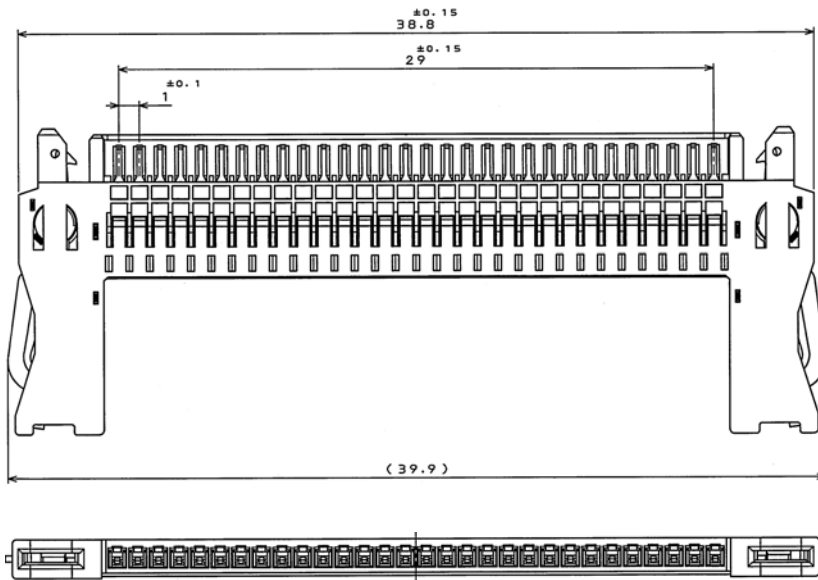
Ordering Information

Plug Connector (SJ111287)

FI-X 30 H L - B



Unit: mm



Mated Condition (Ref.)

Related Information

- Specifications (JACS): JACS-1597-22
- Handling Instructions (JAHL): JAHL-1597-5

Japan Aviation Electronics Industry, Limited

Product Marketing Division
Aobadai Building, 3-1-19, Aobadai, Meguro-ku, Tokyo 153-8539
Phone: +81-3-3780-2787 FAX: +81-3-3780-2946

Notice: Products shown in this brochure are made for the applications listed below. However, if the above-mentioned products are to be used in aerospace devices, marine cable-connection devices, atomic power control systems, medical equipment for life-support systems, or any other specific application requiring extremely high reliability, please contact JAE for further information.

Recommended applications: Computers, Office machines, Measuring devices, Telecommunication devices (Terminals, Mobile devices), AV devices, Household applications, FA devices, etc.

* The specifications in this brochure are subject to change without notice. Please contact JAE for information.

X-ON Electronics

Largest Supplier of Electrical and Electronic Components

Click to view similar products for [FFC & FPC Connectors](#) category:

Click to view products by [JAE](#) manufacturer:

Other Similar products are found below :

[K-FC20](#) [FH29B-80S-0.2SHW\(99\)](#) [FPH-2022G](#) [AYF332735](#) [52610-1075](#) [52610-1275](#) [52610-1934](#) [501864-3091-TR225](#) [086222026001800](#)
[52610-0675](#) [62684-36210E9ALF](#) [52746-1671-TR250](#) [10051922-2810EHLF](#) [6-520415-9](#) [SFV6R-1STE9HLF](#) [XF3M-2915-1B-R100](#)
[1658549-1](#) [46214008010800](#) [AYF534065TA](#) [AYF351525](#) [086212040340800+](#) [AYF530365TA](#) [67000-014LF](#) [67000-004LF](#)
[006207341915000+](#) [DS1020-19RT1D](#) [67000-003LF](#) [67000-011LF](#) [67000-016LF](#) [HFW14R-2STE9LF](#) [SFV32R-2STBE9HLF](#) [SFW12R-](#)
[5STE9LF](#) [SFW18R-1STAE9LF](#) [SFW4R-5STE9LF](#) [52807-0430](#) [046283021002868+](#) [THD1015-8CL-SN](#) [67000-006LF](#) [502250-8027](#)
[104267-9617](#) [66987-011LF](#) [AYF362535](#) [F0501-T-50-20T-R](#) [HFW8S-2STAE1HLF](#) [67000-008LF](#) [67000-012LF](#) [ECC576069EU](#) [F1002-B-](#)
[20-20T-R](#) [HFW15S-2STAE1HLF](#) [0781271110](#)