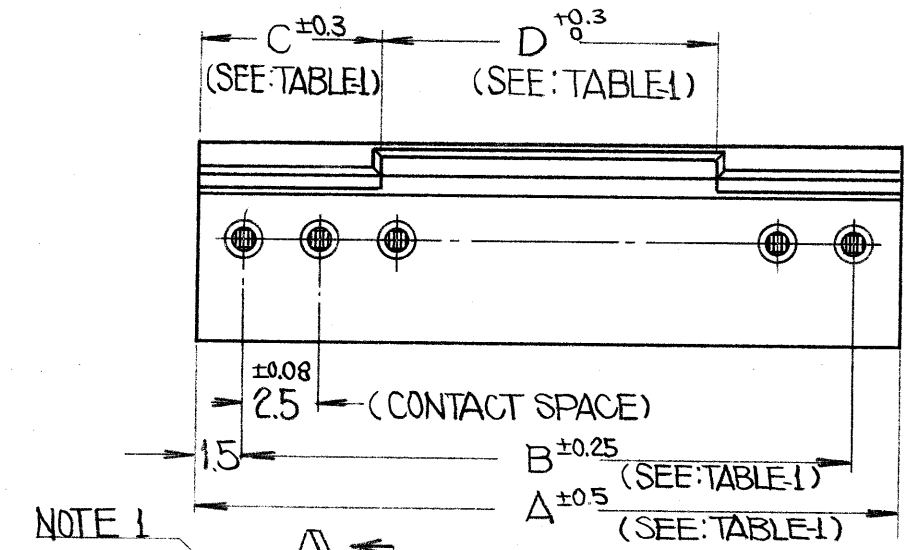


DWG. NO. SJ015093-E  
 SYM. 1

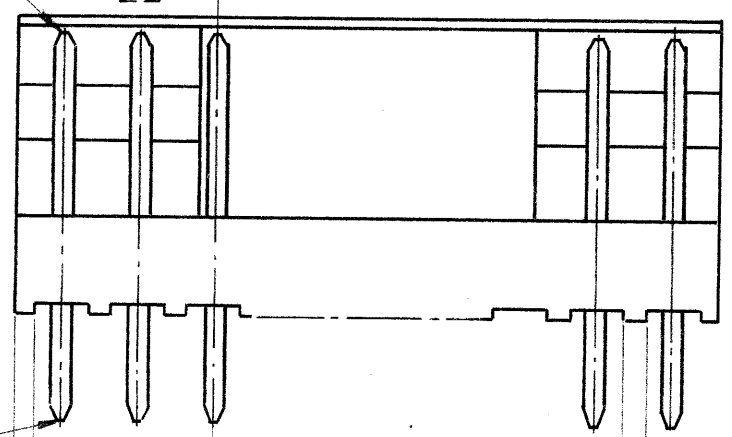
SYM.	DCN NO.	DESCRIPTION	DATE	DRAWN	CHECKED	APP'D	APP'D

TABLE-1

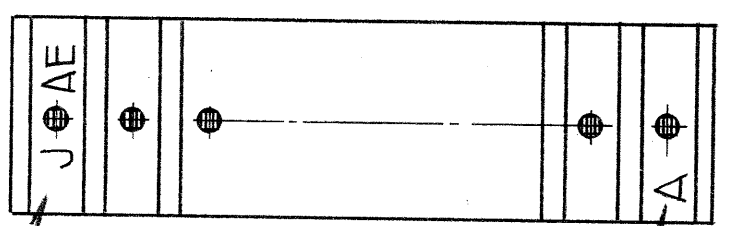
NO. OF CONTACTS	DIM.	A $\pm 0.5$	B $\pm 0.25$	C $\pm 0.3$	D $\pm 0.3$
2		5.5	2.5	2	1.5
3		8	5	3	2
4		10.5	7.5	4	2.5
5		13	10	5	3
6		15.5	12.5	6	3.5
7		18	15	6	6
8		20.5	17.5	6	8.5
9		23	20	6	11
10		25.5	22.5	6	13.5



NOTE 1

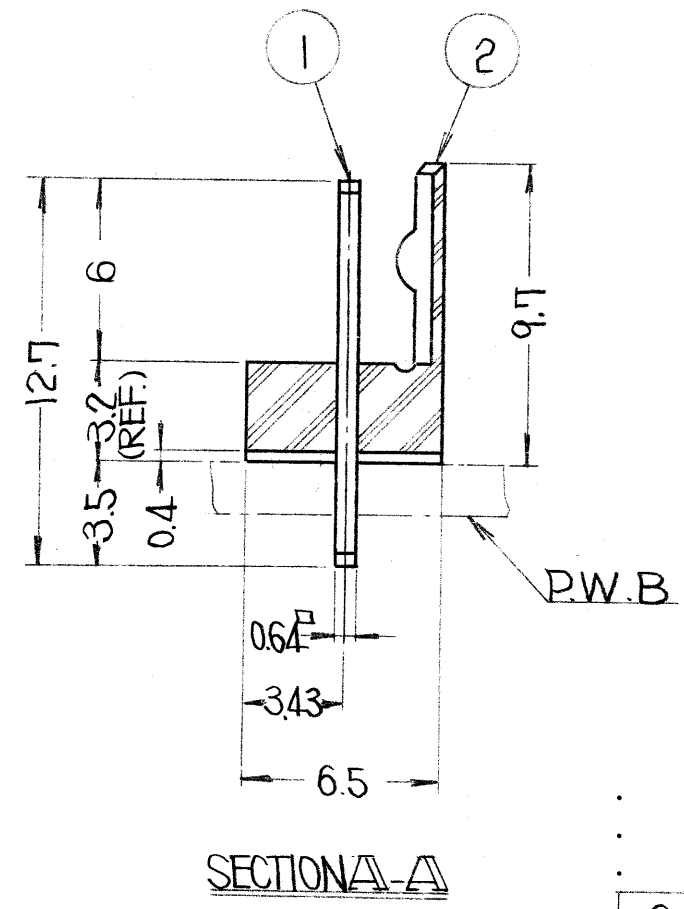


NOTE 1  
 0.65  
 (BOTH ENDS)



TRADE MARK  
 CAVITY IDENT. MARK

NOTE  
 1. NO PLATING ON THESE AREAS.



HOW TO ORDER

IL-\*\*\*P-S3EN2-\*(N)

NEW TYPE (5-CONTACT ONLY)  
 INSULATOR COLOR (STANDARD COLOR;  
 LIGHT BROWN ISN'T SHOWN)  
 THICKNESS OF APPLICABLE P.C BOARD  
 (2:1.6~2.4 THICK)  
 INSULATOR TYPE  
 CONTACT TYPE  
 CONTACT SPACING (25mm ONLY)  
 CONTACT ROW (SINGLE ONLY)  
 POST SIDE  
 NO. OF CONTACTS (SEE TABLE 1)  
 SERIES PREFIX

ITEM	DESCRIPTION	Q'TY	MATERIAL	FINISH	PART NO.
2	INSULATOR	1	THERMOPLASTIC		
1	CONTACT	SEE TABLE 1	COPPER ALLOY	TIN OVER NICKEL	

UNLESS OTHERWISE SPECIFIED		DATE	DEC. 1977
DIMENSIONS ARE IN MILLIMETERS		DRAWN	E. MURANO
TOLERANCES ON:		CHECKED	H. Takeda
FRACTIONS	DECIMALS	ANGLES	APP'D T. SOMBI
	$\pm 0.8$   $\pm 0.5$   $\pm 0.2$		APP'D Joe Sauter
TREATMENT OR FINISH			

TITLE		JAE-CONNECTOR.COM	
STRIGHT PIN HEADER		IND. CO., LTD.	
IL-***P-S3EN2-*		FACTORY	
		NAKAGAMI-CHO, AKISHIMA-SHI	
		TOKYO, JAPAN	
SCALE		x 4	
DWG. SIZE		B WT.	
SHEET		1 OF 1	

APPLICATION	USED ON	FINAL ASS'Y	QT'Y REQ'D

## X-ON Electronics

Largest Supplier of Electrical and Electronic Components

*Click to view similar products for [Headers & Wire Housings](#) category:*

*Click to view products by [JAE](#) manufacturer:*

Other Similar products are found below :

[892-18-020-10-001101](#) [58102-G61-06LF](#) [582553-1](#) [0009485154](#) [009176003701906](#) [0050291907](#) [LY20-4P-DT1-P1E-BR](#) [02.125.8002.8](#)  
[609-3404](#) [61062-3](#) [622-0430](#) [622-3653LF](#) [63453-116](#) [636-1030](#) [636-1427](#) [636-3427](#) [636-4007](#) [641938-9](#) [641991-4](#) [644827-2](#) [65817-010LF](#)  
[65817-015LF](#) [65863-015LF](#) [66207-023LF](#) [67095-007LF](#) [67601157](#) [68648-049](#) [70.362.1628.0](#) [70-4210](#) [70-4226B](#) [70-4853B](#) [707-5020](#) [707-5028](#) [71.350.2428.0](#) [71918-208LF](#) [71961-016LF](#) [733-134](#) [733-162](#) [754199-000](#) [760-3052](#) [787-8014-00](#) [79531-3000](#) [FCN-360C032-B](#) [FCN-367T-T012/H](#) [FCN-723D010/2](#) [80.063.4001.1](#) [800-90-001-10-001000](#) [800-90-010-10-002000](#) [801-43-002-10-013000](#) [801-43-006-10-002000](#)