

SJ019165-E

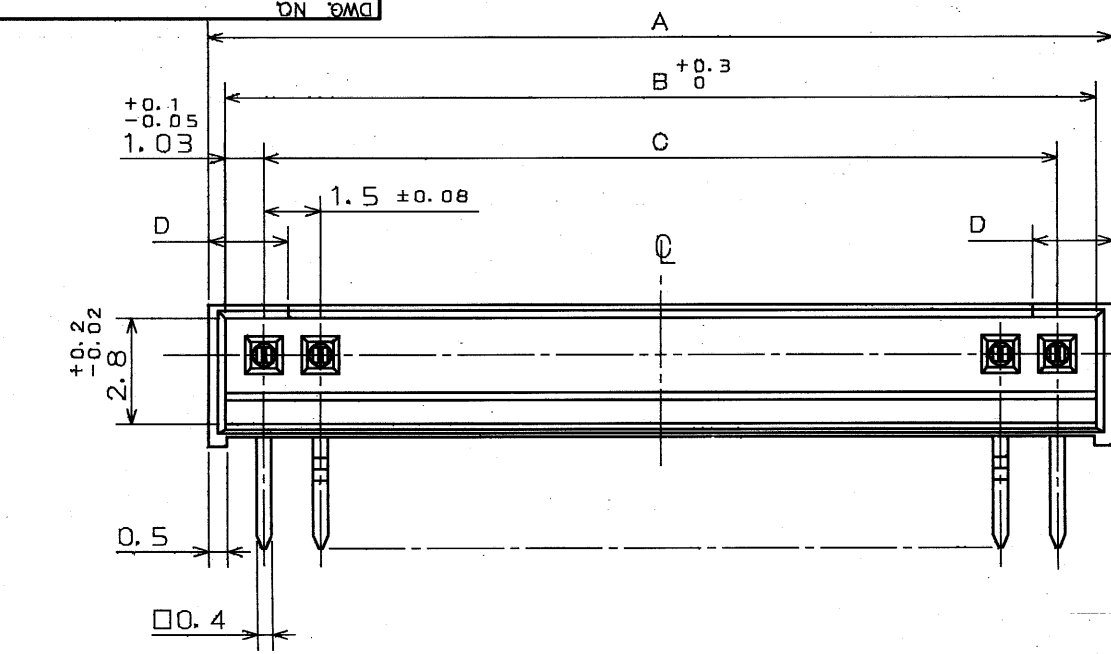


FIGURE 1.
POSITIONS OF FORMED CONTACT TAILS

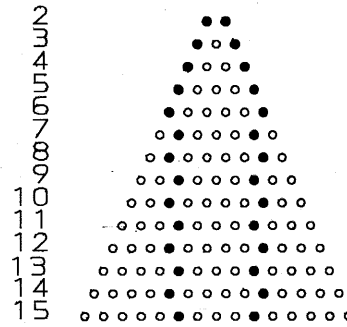
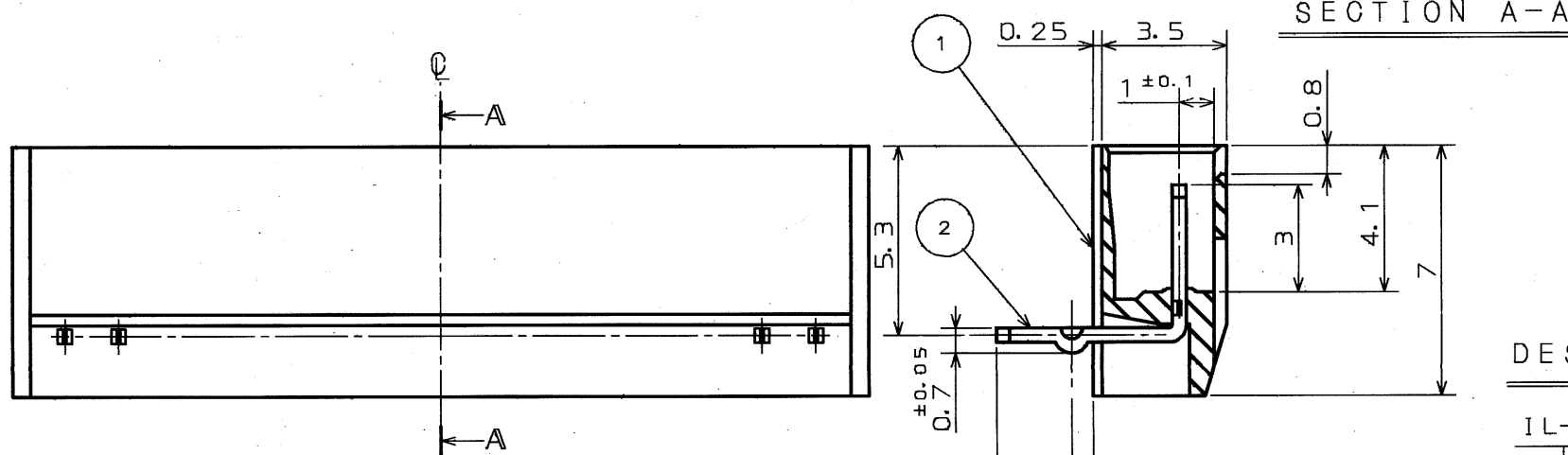


TABLE 1

No. OF CONTACT	A ^{+0.3} / ₀	B ^{+0.3} / ₀	C	D
2	4.45	3.55	1.5	1.38
3	5.95	5.05	3.0	2.13
4	7.45	6.55	4.5	↑
5	8.95	8.05	6.0	
6	10.45	9.55	7.5	
7	11.95	11.05	9.0	
8	13.45	12.55	10.5	
9	14.95	14.05	12.0	
10	16.45	15.55	13.5	
11	17.95	17.05	15.0	
12	19.45	18.55	16.5	
13	20.95	20.05	18.0	
14	22.45	21.55	19.5	↓
15	23.95	23.05	21.0	2.13



DESIGNATION

IL-Y-**-P-S 15 L 2 - E F - *

NO DESIGNATION: LIGHT BROWN
W: WHITE, B: BLACK
R: RED, G: GREEN
COLOR OF INSULATOR

FORMED TAIL (SEE NOTE 2)

TAIL LENGTH E: 2.7 mm

APPLICABLE P.C.B THICKNESS 2: 0.8-1.6 mm

TAIL FORM L: ANGLE THROUGH HOLE

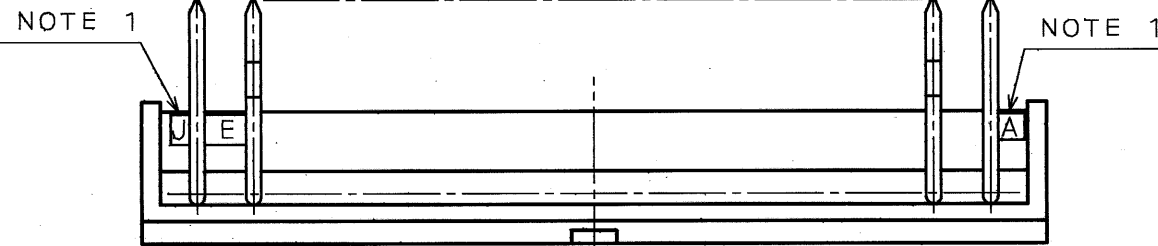
PITCH (1.5 mm)

SERIES PREFIX

NO. OF CONTACT

CONTACT TYPE P: PIN CONTACT

CONTACT ROW S: SINGLE



NOTE 1. COMPANY LOGO AND TOOL MARK APPEAR IN RELIEF.

2. FORMED CONTACT TAILS FOR FIXING PIN HEADER ARE PROVIDED ON POSITIONS OF BLACK DOTS AS SHOWN IN THE FIGURE 1. APPLICABLE P.C.B HOLE DIAMETER IS 0.7 ± 0.03 mm.

DIMENSIONS ARE IN MILLIMETERS
TOLERANCES ON: (INCHES)

DIMENSION	ANGLES
. ± 0.8	X° ±
.X ± 0.4	X°X' ±
.XX ± 0.2	CONCENTRICITY
.XXX ±	WITHIN T.L.R.

ITEM	DESCRIPTION	Q'TY	MATERIAL	FINISH	REMARKS
2	CONTACT	TABLE 1	BRASS	TIN OVER NICKEL	
1	INSULATOR	1	6-6NY		UL 94V-0
REFERENCE DOCUMENT		DATE	SCALE		<p>JAE CONNECTOR.COM Reference Only</p> <p>MUSASHINO, AKISHIMA-SHI TOKYO, JAPAN</p>
		15. DEC ' 88	5/1		
		DRAWN	TITLE		
		CHECKED K. IBARAKI	IL-Y-**-P-S 15 L 2 - E F		
		APP'D <i>K. Ibaraki</i>	SERIES IL-Y		DWG. NO. SJ019165-E
		APP'D <i>K. Fujino</i>			

X-ON Electronics

Largest Supplier of Electrical and Electronic Components

Click to view similar products for [Headers & Wire Housings](#) category:

Click to view products by [JAE](#) manufacturer:

Other Similar products are found below :

[892-18-020-10-001101](#) [58102-G61-06LF](#) [582553-1](#) [0009485154](#) [009176003701906](#) [0050291907](#) [LY20-4P-DT1-P1E-BR](#) [02.125.8002.8](#)
[609-3404](#) [61062-3](#) [622-0430](#) [622-3653LF](#) [63453-116](#) [636-1030](#) [636-1427](#) [636-3427](#) [636-4007](#) [641938-9](#) [641991-4](#) [644827-2](#) [65817-010LF](#)
[65817-015LF](#) [65863-015LF](#) [66207-023LF](#) [67095-007LF](#) [67601157](#) [68648-049](#) [70.362.1628.0](#) [70-4210](#) [70-4226B](#) [70-4853B](#) [707-5020](#) [707-5028](#) [71.350.2428.0](#) [71918-208LF](#) [71961-016LF](#) [733-134](#) [733-162](#) [754199-000](#) [760-3052](#) [787-8014-00](#) [79531-3000](#) [FCN-360C032-B](#) [FCN-367T-T012/H](#) [FCN-723D010/2](#) [80.063.4001.1](#) [800-90-001-10-001000](#) [800-90-010-10-002000](#) [801-43-002-10-013000](#) [801-43-006-10-002000](#)