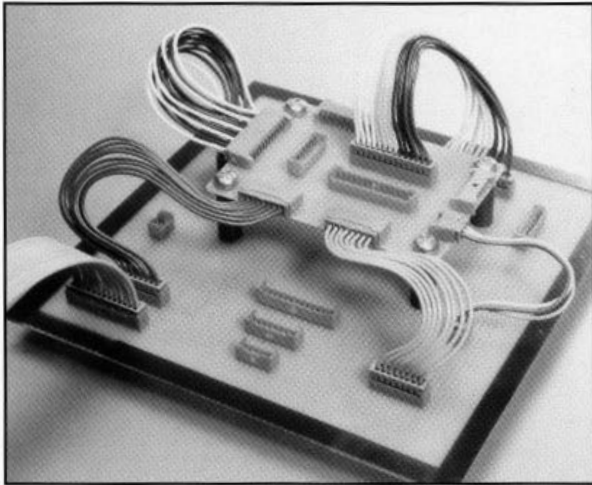


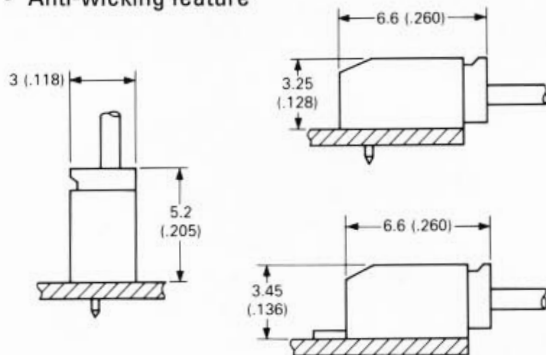
# IL-Z SERIES CONNECTORS

## 1.25mm (.049") Contact Spacing, PCB-to-Cable (Crimp Type) Connectors



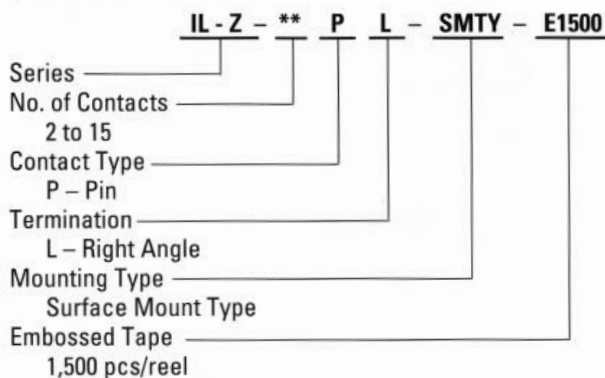
### FEATURES

- Crimp type for efficient wire termination
- High reliability socket contacts
- High-density packaging and automatic mounting
- SMT and through hole pin headers available
- Boxed pin header design prevents mismatching
- Anti-wicking feature



### ORDERING INFORMATION

#### PIN HEADER (SMT TYPE)



.....

IL-Z Series connectors are designed for board-to-cable applications. High-density 1.25mm (.049") contact spacing (single row), 5.2mm (.205") high when mated vertically. Low-profile design includes board-mounted pin headers (straight and right-angle) and wire-terminated socket housings (with crimp socket contacts).

The IL-Z Series has a wide variety of applications, including commercial and household appliances, VTR's, television, office automation equipment and measuring instruments.

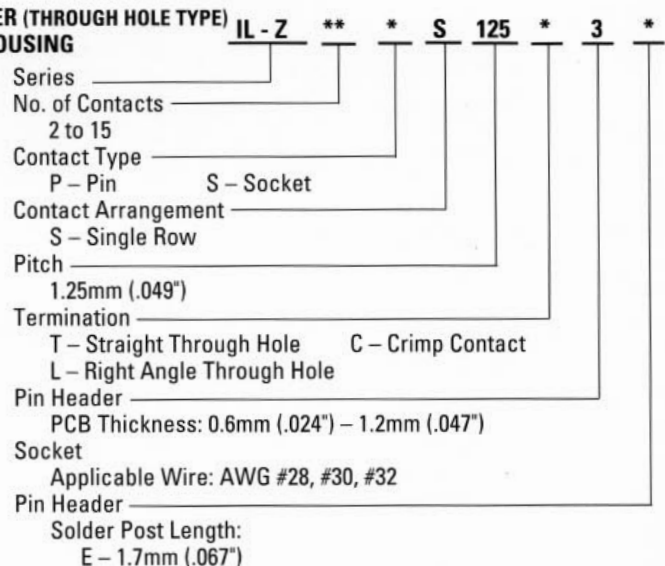
### GENERAL SPECIFICATIONS

Number of Contacts	2 to 15
Contact Spacing	1.25mm (.049"), single row
Current Rating	1 Amp
Dielectric Withstanding Voltage	500 VAC r.m.s. (for one minute)
Insulation Resistance	100 megohms min.
Contact Resistance	20 milliohms max.
Operating Temperature Range	-40°C to +70°C
Applicable PCB Thickness	0.6 to 1.2mm (.024 to .047")
Applicable Wire	#32 to #28 AWG (stranded)

### MATERIALS AND FINISHES

Description	Materials/Finishes
Insulator	Through hole pin header and socket housing: 6-6 Nylon (UL94V-0, Light Brown) SMT pin header: PPS (UL94V-0, Light Gray)
Pin Contact	Brass/Tin plating over Nickel
Socket Contact	Phosphor Bronze/Tin plating
Hold-down	Phosphor Bronze/Tin plating (SMT only)

#### PIN HEADER (THROUGH HOLE TYPE) SOCKET HOUSING



Dimensions and specifications subject to change without notice.

Hong Kong  
Tel: 2723-7782  
Fax: 2723-9028

Japan  
03-3780-2715  
03-3780-2883

Korea  
2-551-8959  
2-551-8958

Philippines  
46-433-0276  
46-433-0287

Singapore  
748-1332  
748-2920

Taiwan  
02-555-9711  
02-556-5424

Europe  
1276-21717  
1276-66165

United States  
949-753-2600  
949-753-2699

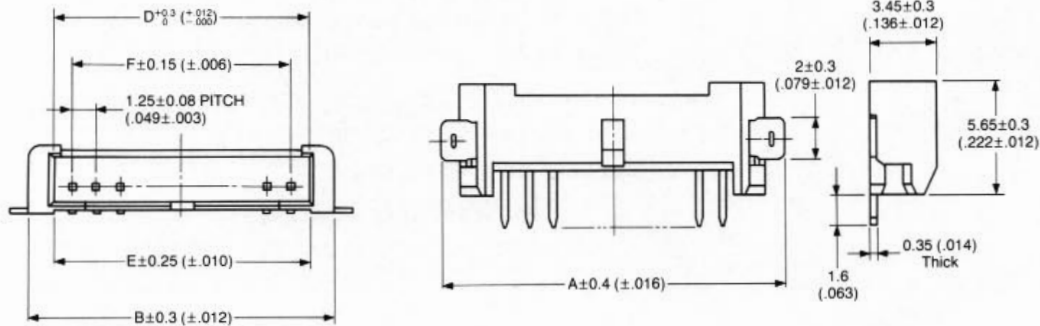


# IL-Z SERIES CONNECTORS

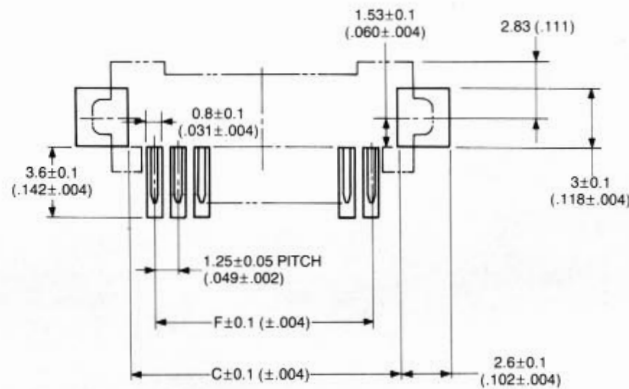
1.25mm (.049") Contact Spacing, PCB-to-Cable (Crimp Type) Connectors

## PIN HEADER (SMT TYPE)

Right Angle



PCB Layout (Ref.)



No. of Contacts	Part Number (See note.1)	A $\pm 0.4$ ( $\pm .016$ )	B $\pm 0.3$ ( $\pm .012$ )	C $\pm 0.1$ ( $\pm .004$ )	D $+0.3$ ( $^{+.012}$ ) $-0$ ( $^{-.000}$ )	E $\pm 0.25$ ( $\pm .010$ )	F
2	IL-Z- 2PL-SMTY-E1500	7.65 (.301)	5.65 (.222)	4.45 (.175)	3.25 (.128)	3.15 (.124)	1.25 (.049)
3	IL-Z- 3PL-SMTY-E1500	8.90 (.350)	6.90 (.272)	5.70 (.224)	4.50 (.177)	4.40 (.173)	2.50 (.098)
4	IL-Z- 4PL-SMTY-E1500	10.15 (.400)	8.15 (.321)	6.95 (.274)	5.75 (.226)	5.65 (.222)	3.75 (.148)
5	IL-Z- 5PL-SMTY-E1500	11.40 (.449)	9.40 (.370)	8.20 (.323)	7.00 (.276)	6.90 (.272)	5.00 (.197)
6	IL-Z- 6PL-SMTY-E1500	12.65 (.498)	10.65 (.419)	9.45 (.372)	8.25 (.325)	8.15 (.321)	6.25 (.246)
7	IL-Z- 7PL-SMTY-E1500	13.90 (.547)	11.90 (.468)	10.70 (.421)	9.50 (.374)	9.40 (.370)	7.50 (.295)
8	IL-Z- 8PL-SMTY-E1500	15.15 (.596)	13.15 (.518)	11.95 (.470)	10.75 (.423)	10.65 (.419)	8.75 (.344)
9	IL-Z- 9PL-SMTY-E1500	16.40 (.646)	14.40 (.567)	13.20 (.520)	12.00 (.472)	11.90 (.468)	10.00 (.394)
10	IL-Z-10PL-SMTY-E1500	17.65 (.695)	15.65 (.616)	14.45 (.569)	13.25 (.522)	13.15 (.518)	11.25 (.443)
11	IL-Z-11PL-SMTY-E1500	18.90 (.744)	16.90 (.665)	15.70 (.618)	14.50 (.571)	14.40 (.567)	12.50 (.492)
12	IL-Z-12PL-SMTY-E1500	20.15 (.793)	18.15 (.714)	16.95 (.667)	15.75 (.620)	15.65 (.616)	13.75 (.541)
13	IL-Z-13PL-SMTY-E1500	21.40 (.843)	19.40 (.764)	18.20 (.716)	17.00 (.669)	16.90 (.665)	15.00 (.590)
14	IL-Z-14PL-SMTY-E1500	22.65 (.892)	20.65 (.813)	19.45 (.766)	18.25 (.718)	18.15 (.714)	16.25 (.640)
15	IL-Z-15PL-SMTY-E1500	23.90 (.941)	21.90 (.862)	20.70 (.815)	19.50 (.768)	19.40 (.764)	17.50 (.689)

Note 1: Supplied in embossed-tape reels.  
 Suffix "-E1500" of the part number indicates that 1,500 pcs. of "IL-Z-\*PL-SMTY" connectors are supplied per reel.  
 Please consult JAE for embossed tape specifications.

Dimensions in mm (inches).



Hong Kong  
 Tel: 2723-7782  
 Fax: 2723-9028

Japan  
 03-3780-2715  
 03-3780-2883

Korea  
 2-551-8959  
 2-551-8958

Philippines  
 46-433-0276  
 46-433-0287

Singapore  
 748-1332  
 748-2920

Taiwan  
 02-555-9711  
 02-556-5424

Europe  
 1276-21717  
 1276-66165

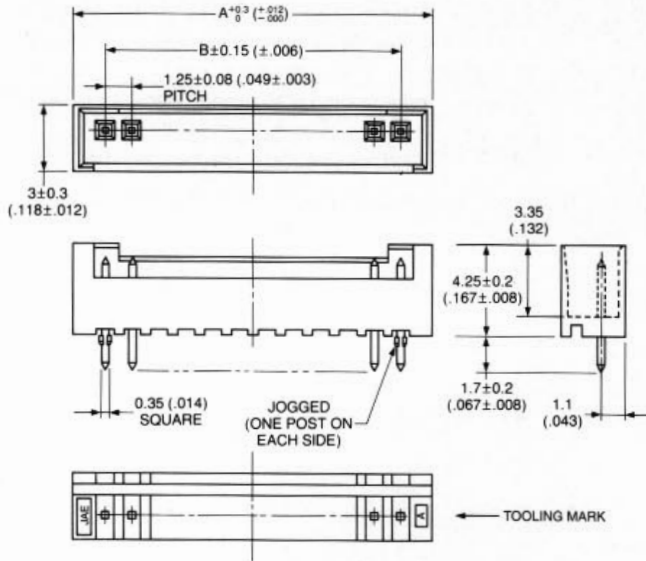
United States  
 949-753-2600  
 949-753-2699

# IL-Z SERIES CONNECTORS

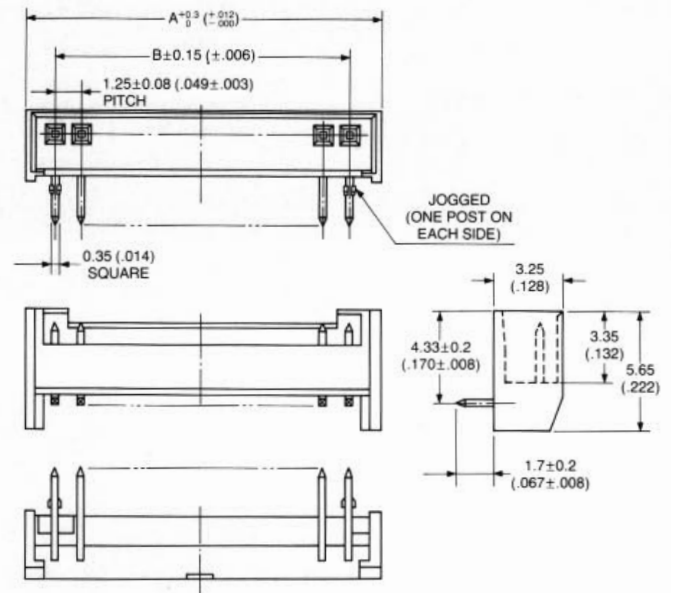
1.25mm (.049") Contact Spacing, PCB-to-Cable (Crimp Type) Connectors

## PIN HEADER (THROUGH HOLE TYPE)

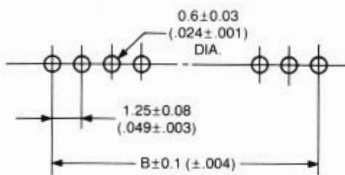
Straight



Right Angle



PCB Hole Patterns (Ref.)



No. of Contacts	Part Number		A $+0.3$ $(+.012)$ $-0$ $(-.000)$	B
	Straight	Right Angle		
2	IL-Z- 2P-S125T3-E	IL-Z- 2P-S125L3-E	4.15 (.163)	1.25 (.049)
3	IL-Z- 3P-S125T3-E	IL-Z- 3P-S125L3-E	5.40 (.213)	2.50 (.098)
4	IL-Z- 4P-S125T3-E	IL-Z- 4P-S125L3-E	6.65 (.262)	3.75 (.148)
5	IL-Z- 5P-S125T3-E	IL-Z- 5P-S125L3-E	7.90 (.311)	5.00 (.197)
6	IL-Z- 6P-S125T3-E	IL-Z- 6P-S125L3-E	9.15 (.360)	6.25 (.246)
7	IL-Z- 7P-S125T3-E	IL-Z- 7P-S125L3-E	10.40 (.409)	7.50 (.295)
8	IL-Z- 8P-S125T3-E	IL-Z- 8P-S125L3-E	11.65 (.459)	8.75 (.344)
9	IL-Z- 9P-S125T3-E	IL-Z- 9P-S125L3-E	12.90 (.508)	10.00 (.394)
10	IL-Z-10P-S125T3-E	IL-Z-10P-S125L3-E	14.15 (.557)	11.25 (.443)
11	IL-Z-11P-S125T3-E	IL-Z-11P-S125L3-E	15.40 (.606)	12.50 (.492)
12	IL-Z-12P-S125T3-E	IL-Z-12P-S125L3-E	16.65 (.656)	13.75 (.541)
13	IL-Z-13P-S125T3-E	IL-Z-13P-S125L3-E	17.90 (.705)	15.00 (.591)
14	IL-Z-14P-S125T3-E	IL-Z-14P-S125L3-E	19.15 (.754)	16.25 (.640)
15	IL-Z-15P-S125T3-E	IL-Z-15P-S125L3-E	20.40 (.803)	17.50 (.689)

Dimensions in mm (inches).

Hong Kong  
Tel: 2723-7782  
Fax: 2723-9028

Japan  
03-3780-2715  
03-3780-2883

Korea  
2-551-8959  
2-551-8958

Philippines  
46-433-0276  
46-433-0287

Singapore  
748-1332  
748-2920

Taiwan  
02-555-9711  
02-556-5424

Europe  
1276-21717  
1276-66165

United States  
949-753-2600  
949-753-2699



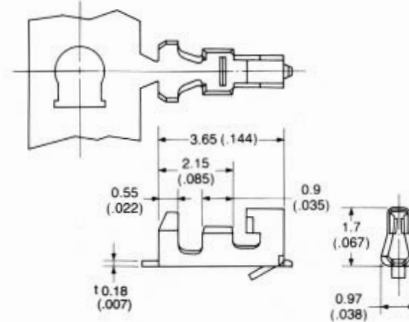
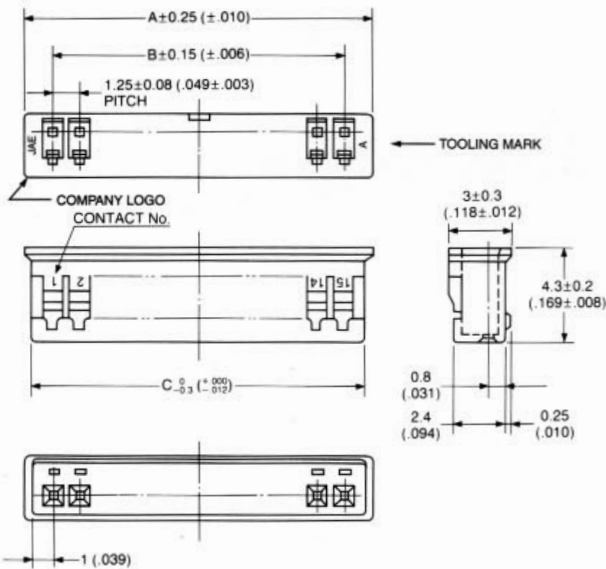
# IL-Z SERIES CONNECTORS

## 1.25mm (.049") Contact Spacing, PCB-to-Cable (Crimp Type) Connectors

### SOCKET CONTACT (CRIMP TYPE)

Part Number: IL-Z-C3-A-15000 (Note: Contacts 15,000pcs. per reel)

### SOCKET HOUSING



### Applicable Wire

Wire Size (AWG)	Insulation Outer Dia.
#32~#30	0.5mm to 0.8mm (.020" to .031")
#28	0.7mm to 1.0mm (.028" to .039")

### Tooling

Description	Part Number
Semi-Automatic Crimping Machine	CT350-2-ILZ
Hand Crimping Tool	CT150-4B-ILZ
Contact Insertion Tool	IT205-1-ILZ
Contact Extraction Tool	ET-ILZ

No. of Contacts	Part Number	A $\pm 0.25 (.010)$	B $\pm 0.15 (.006)$	C $+0 (+.000)$ $-0.3 (-.012)$
2	IL-Z- 2S-S125C3	3.95 (.156)	1.25 (.049)	3.25 (.128)
3	IL-Z- 3S-S125C3	5.20 (.205)	2.50 (.098)	4.50 (.177)
4	IL-Z- 4S-S125C3	6.45 (.254)	3.75 (.148)	5.75 (.226)
5	IL-Z- 5S-S125C3	7.70 (.303)	5.00 (.197)	7.00 (.276)
6	IL-Z- 6S-S125C3	8.95 (.352)	6.25 (.246)	8.25 (.325)
7	IL-Z- 7S-S125C3	10.20 (.402)	7.50 (.295)	9.50 (.374)
8	IL-Z- 8S-S125C3	11.45 (.451)	8.75 (.344)	10.75 (.423)
9	IL-Z- 9S-S125C3	12.70 (.500)	10.00 (.394)	12.00 (.472)
10	IL-Z-10S-S125C3	13.95 (.549)	11.25 (.443)	13.25 (.522)
11	IL-Z-11S-S125C3	15.20 (.598)	12.50 (.492)	14.50 (.571)
12	IL-Z-12S-S125C3	16.45 (.648)	13.75 (.541)	15.75 (.620)
13	IL-Z-13S-S125C3	17.70 (.697)	15.00 (.591)	17.00 (.669)
14	IL-Z-14S-S125C3	18.95 (.746)	16.25 (.640)	18.25 (.719)
15	IL-Z-15S-S125C3	20.20 (.795)	17.50 (.689)	19.50 (.768)

Dimensions in mm (inches).



Hong Kong  
Tel: 2723-7782  
Fax: 2723-9028

Japan  
03-3780-2715  
03-3780-2883

Korea  
2-551-8959  
2-551-8958

Philippines  
46-433-0276  
46-433-0287

Singapore  
748-1332  
748-2920

Taiwan  
02-555-9711  
02-556-5424

Europe  
1276-21717  
1276-66165

United States  
949-753-2600  
949-753-2699

## X-ON Electronics

Largest Supplier of Electrical and Electronic Components

*Click to view similar products for [Headers & Wire Housings](#) category:*

*Click to view products by [JAE](#) manufacturer:*

Other Similar products are found below :

[892-18-020-10-001101](#) [58102-G61-06LF](#) [582553-1](#) [0009485154](#) [009176003701906](#) [0050291907](#) [LY20-4P-DT1-P1E-BR](#) [02.125.8002.8](#)  
[609-3404](#) [61062-3](#) [622-0430](#) [622-3653LF](#) [63453-116](#) [636-1030](#) [636-1427](#) [636-3427](#) [636-4007](#) [641938-9](#) [641991-4](#) [644827-2](#) [65817-010LF](#)  
[65817-015LF](#) [65863-015LF](#) [66207-023LF](#) [67095-007LF](#) [67601157](#) [68648-049](#) [70.362.1628.0](#) [70-4210](#) [70-4226B](#) [70-4853B](#) [707-5020](#) [707-5028](#) [71.350.2428.0](#) [71918-208LF](#) [71961-016LF](#) [733-134](#) [733-162](#) [754199-000](#) [760-3052](#) [787-8014-00](#) [79531-3000](#) [FCN-360C032-B](#) [FCN-367T-T012/H](#) [FCN-723D010/2](#) [80.063.4001.1](#) [800-90-001-10-001000](#) [800-90-010-10-002000](#) [801-43-002-10-013000](#) [801-43-006-10-002000](#)