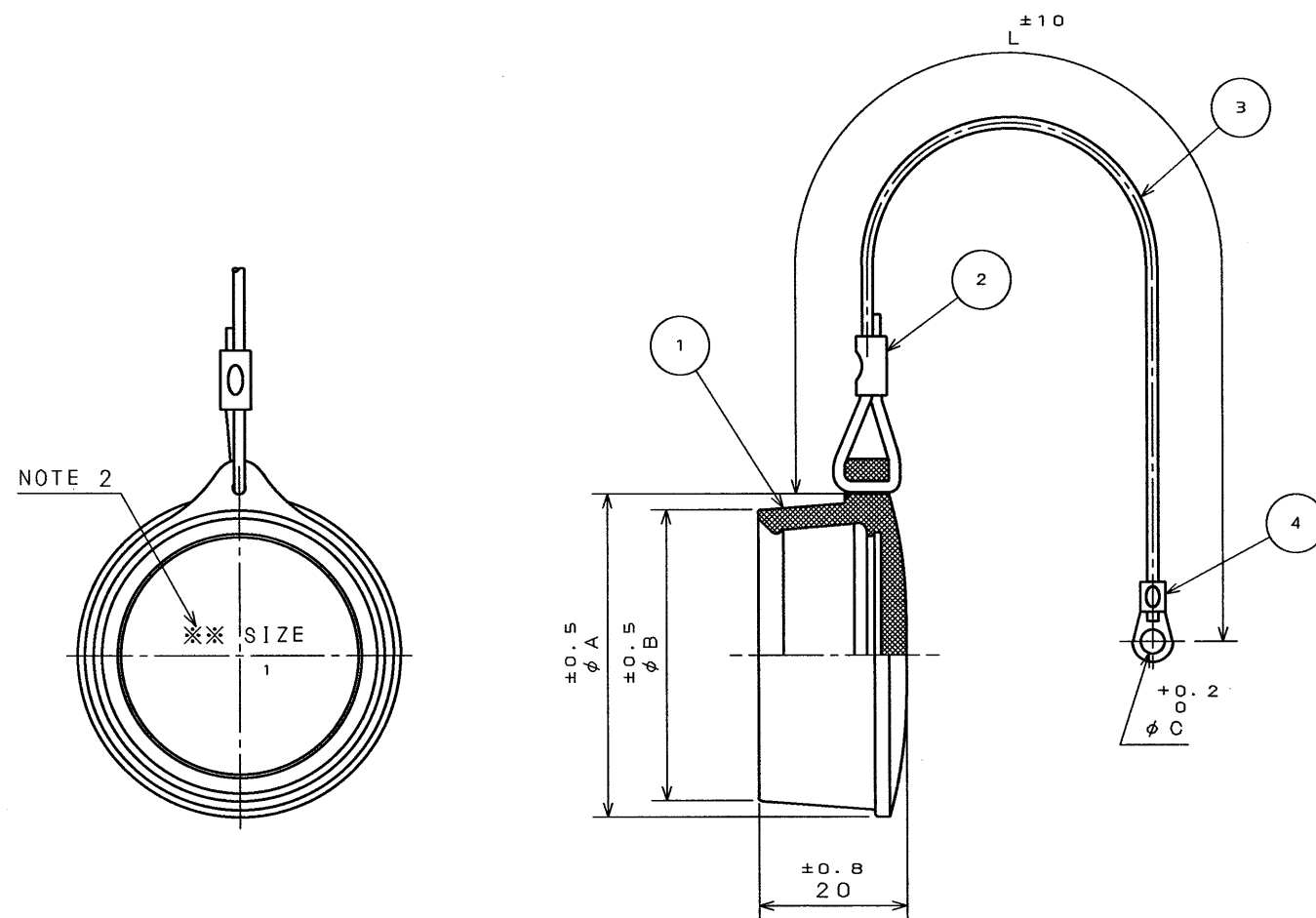


SJ025936-E

DWG. NO.

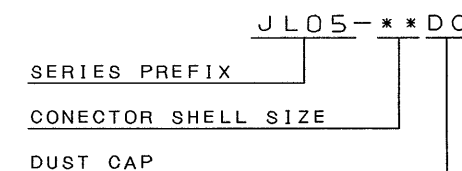
SYM.	DCN NO.	DESCRIPTION	DATE	DRAWN	CHECKED	APP'D	APP'D



TABLE

PART NUMBER	$\phi A \pm 0.5$	$\phi B \pm 0.5$	$\phi C^{+0.2}$	$L \pm 10$
JL05-18DC	37.5	33.1	3.2	80
JL05-20DC	42.6	38.2	3.2	100
JL05-22DC	43.8	39.4	3.2	110
JL05-24DC	47	42.6	4.3	130
JL05-28DC	53.3	49	4.3	150

DESIGNATION



NOTE 1. THIS IS A RECEPTACLE COVER.
NOTE 2. A CONECTOR SHELL SIZE IS AS INDICATED.

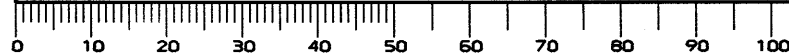
ITEM	DESCRIPTION	Q'TY	MATERIAL	FINISH	REMARKS
4	CLIMP-TYPE TERMINAL LUG	1	COPPER ALLOY	TIN PLATING	
3	ROPE	1	SYNTHETIC RESIN		COLOR:BLACK
2	CLIMP-TYPE SLEEVE	1	COPPER ALLOY	TIN PLATING	
1	DUST CAP	1	SYNTHETIC RUBBER		COLOR:BLACK

DIMENSIONS ARE IN MILLIMETERS
TOLERANCES ON: (INCHES)

DIMENSION	ANGLES
. ±	X° ±
.X ±	X°X' ±
.XX ±	CONCENTRICITY
.XXX ±	WITHIN T.I.R.

REFERENCE DOCUMENT	DATE 14. Mar. '95	SCALE 1:1	WT.
MATERIAL	DRAWN S. NANA O	TITLE JL05-***DC (PROTECTIVE DUST CAP)	<p>MUSASHINO, AKISHIMA-SHI TOKYO, JAPAN</p>
TREATMENT	CHECKED T. MOKITA	SERIES JL05	
FINISH	APP'D M. Takagi	APP'D	DWG. NO. SJ025936-E

DCF-C-143



CSP-95-100-50927

SIZE A3

X-ON Electronics

Largest Supplier of Electrical and Electronic Components

Click to view similar products for [Standard Circular Connector](#) category:

Click to view products by [JAE](#) manufacturer:

Other Similar products are found below :

[5M2530B10P](#) [600259N006](#) [600273N007](#) [6134-336-13149](#) [6134-337-11149](#) [6134-337-2390](#) [6134-341-17149](#) [6280-4SG-516](#) [6280-7SG-3DC](#)
[6290](#) [6291A](#) [66200A-10](#) [680-SMG](#) [681-PMG](#) [CXS3102A14S2P](#) [CXS3102A181S](#) [7251-6SG-300](#) [7271-6SG-300](#) [7282-3PG-300-CH3](#) [75-](#)
[474014-05S](#) [75-474618-01S](#) [75-474618-04S](#) [799539-000](#) [MI8-SE](#) [805-005-07NF11-19PC](#) [805-005-07NF15-7PA](#) [8280-4PG-516](#) [8280-7PG-](#)
[519](#) [8282-5PG-519](#) [836783-1](#) [MP-4102-25P-C](#) [862256-1](#) [864019-2](#) [866857-1](#) [867865-1](#) [PT01SP-14-18P](#) [PT08P-14-5S](#) [PTSF06SE-14-12S](#)
[120-1833-000](#) [QCM019PC2DC012B](#) [1-2069279-1](#) [121583-0217](#) [121667-0020](#) [129591AU](#) [1000B BULK](#) [RD10A16-19-P6CS051/1](#)
[RD10A20-31-P8CS051/1](#) [RD16A14-12-S6CS051/2](#) [1301240290](#) [1301240347](#) [1301860202](#)