

E1550109S

(*ON ONIMV8D)台票與圖

SPECIFICATION

RATED CURRENT : 7A MAX.(PER CONTACT)
DIELECTRIC WITHSTANDING VOLTAGE: 1500VAC(FOR 1 MINUTE)
INSULATION RESISTANCE : 1000MΩ MIN.(AT 500VDC)
APPLICABLE CABLE OUTER DIAMETER: φ6±0.5

仕様

定格電流 : 7A以下(1芯当り)
耐電圧 : 1500VAC 1分間
絶縁抵抗 : 1000MΩ以上(500VDCにて)
適合ケーブル外径: φ6±0.5

DESIGNATION

命名法

JN6FS04SJ*
MODIFICATION (SEE TABLE 1)
CONTACT SIZE
CONTACT CONFIGURATION (S:CRIMP SOCKET CONTACT)
NO. OF CONTACTS
SHELL SIZE
RECEPTACLE CONFIGURATION (F:ANGLE PLUG)

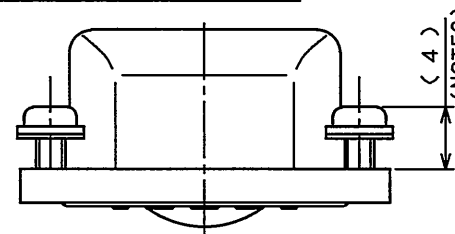
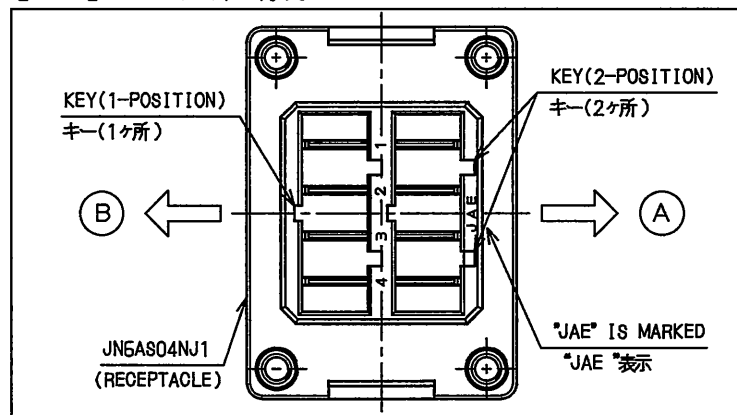


FIG.1 CABLE LEAD-OUT DIRECTION

【図1】ケーブル引出方向



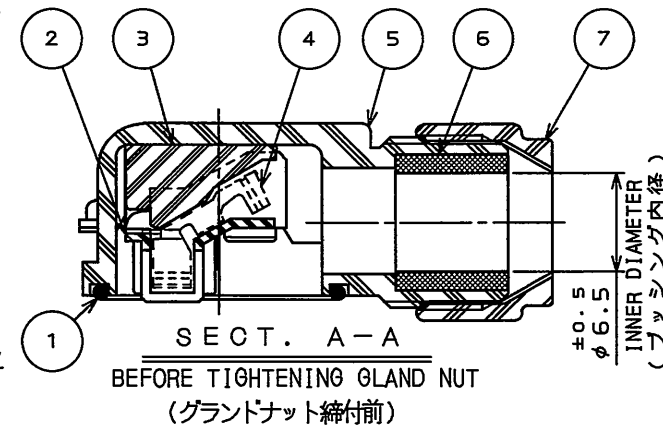
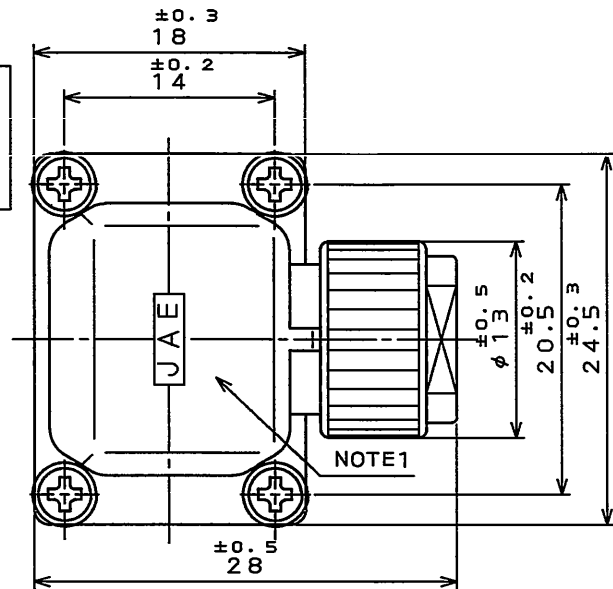
NOTE1.NO. OF CONTACTS AND THE PART NUMBER ARE MARKED AS SHOWN IN THE DRAWING.

- 2.SCREW ARE TENTATIVELY FIXED.
3.BASE INSULATOR IS DIFFERENT PER PART NUMBER.
BY EXCHANGING PART NUMBER OF PLUG, CABLE EXTENDING DIRECTION IS REVERSED 180 DEGREES. (SEE TABLE-1)
THIS DRAWING SHOWS JN6FS04SJ1. JN6FS04SJ2 IS SHOWN IN FIGURE 2.
4.SOCKET CONTACTS ARE SOLD SEPARATELY.
PART NUMBER OF APPLICABLE CRIMP SOCKET CONTACT IS SHOWN IN TABLE 2.

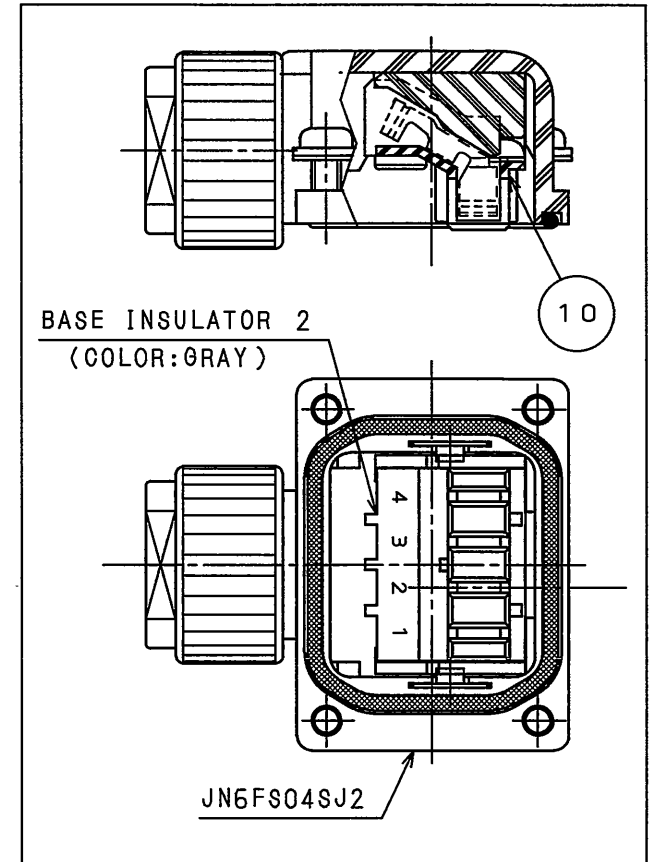
【表2】適用圧着ソケットコンタクト

Table with 5 columns: CLASSIFICATION, APPLICABLE CONTACT PART NUMBER, APPLICABLE WIRE, INSULATION OUTER DIAMETER, SJ DRAWING NO.

Revision table with columns: REV., DATE, DCN NO., DESCRIPTION, DR., CHK., APPD., APPD.



【FIG.2】JN6FS04SJ2



【TABLE 1】PART NUMBER CLASSIFICATION

Table with 3 columns: PART NUMBER, CABLE LEAD-OUT DIRECTION, BASE INSULATOR COLOR.

Main parts list table with columns: PART NO., DESCRIPTION, QTY., MATERIAL, FINISH, REMARKS.

Technical specification table with columns: SPECIFICATION, ORIGINAL DATE, SCALE, SERIES, TITLE, DRAWING NO., MASS.

DOF-0-212F(05.08)



X-ON Electronics

Largest Supplier of Electrical and Electronic Components

Click to view similar products for [Standard Circular Connector](#) category:

Click to view products by [JAE](#) manufacturer:

Other Similar products are found below :

[5M2530B10P](#) [600259N006](#) [600273N007](#) [6134-336-13149](#) [6134-337-11149](#) [6134-337-2390](#) [6134-341-17149](#) [6280-4SG-516](#) [6280-7SG-3DC](#)
[6290](#) [6291A](#) [66200A-10](#) [680-SMG](#) [681-PMG](#) [CXS3102A14S2P](#) [CXS3102A181S](#) [7251-6SG-300](#) [7271-6SG-300](#) [7282-3PG-300-CH3](#) [75-](#)
[474014-05S](#) [75-474618-01S](#) [75-474618-04S](#) [799539-000](#) [MI8-SE](#) [805-005-07NF11-19PC](#) [805-005-07NF15-7PA](#) [8280-4PG-516](#) [8280-7PG-](#)
[519](#) [8282-5PG-519](#) [836783-1](#) [MP-4102-25P-C](#) [862256-1](#) [864019-2](#) [866857-1](#) [867865-1](#) [PT01SP-14-18P](#) [PT08P-14-5S](#) [PTSF06SE-14-12S](#)
[120-1833-000](#) [QCM019PC2DC012B](#) [1-2069279-1](#) [121583-0217](#) [121667-0020](#) [129591AU](#) [1000B BULK](#) [RD10A16-19-P6CS051/1](#)
[RD10A20-31-P8CS051/1](#) [RD16A14-12-S6CS051/2](#) [1301240290](#) [1301240347](#) [1301860202](#)