



Non-Waterproof Complete Mating Relay Connector for Airbags CONNECTOR

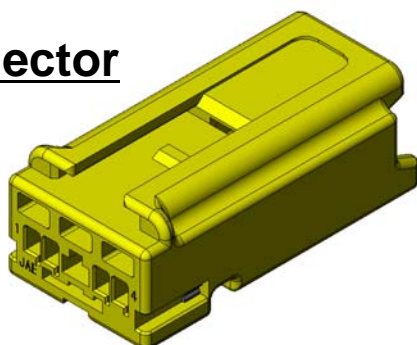
MX37 Series

MB-0159-1

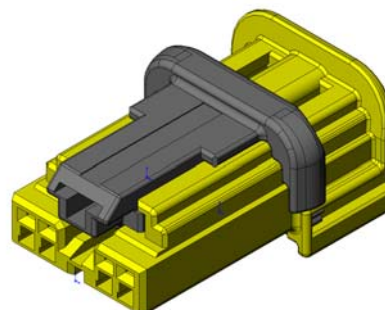
September 2006

RoHS Compliant

Pin connector



Socket connector



This non-waterproof compact relay (inline) connector was developed for automotive air bags. It has a structure which separates the connection of the contacts with the repulsion of the coil spring when the connectors are not mated completely (mechanical perfect mating design). Furthermore, the built-in short contact (short circuit) prevents malfunction due to static electricity when the connector is not mated.

Features

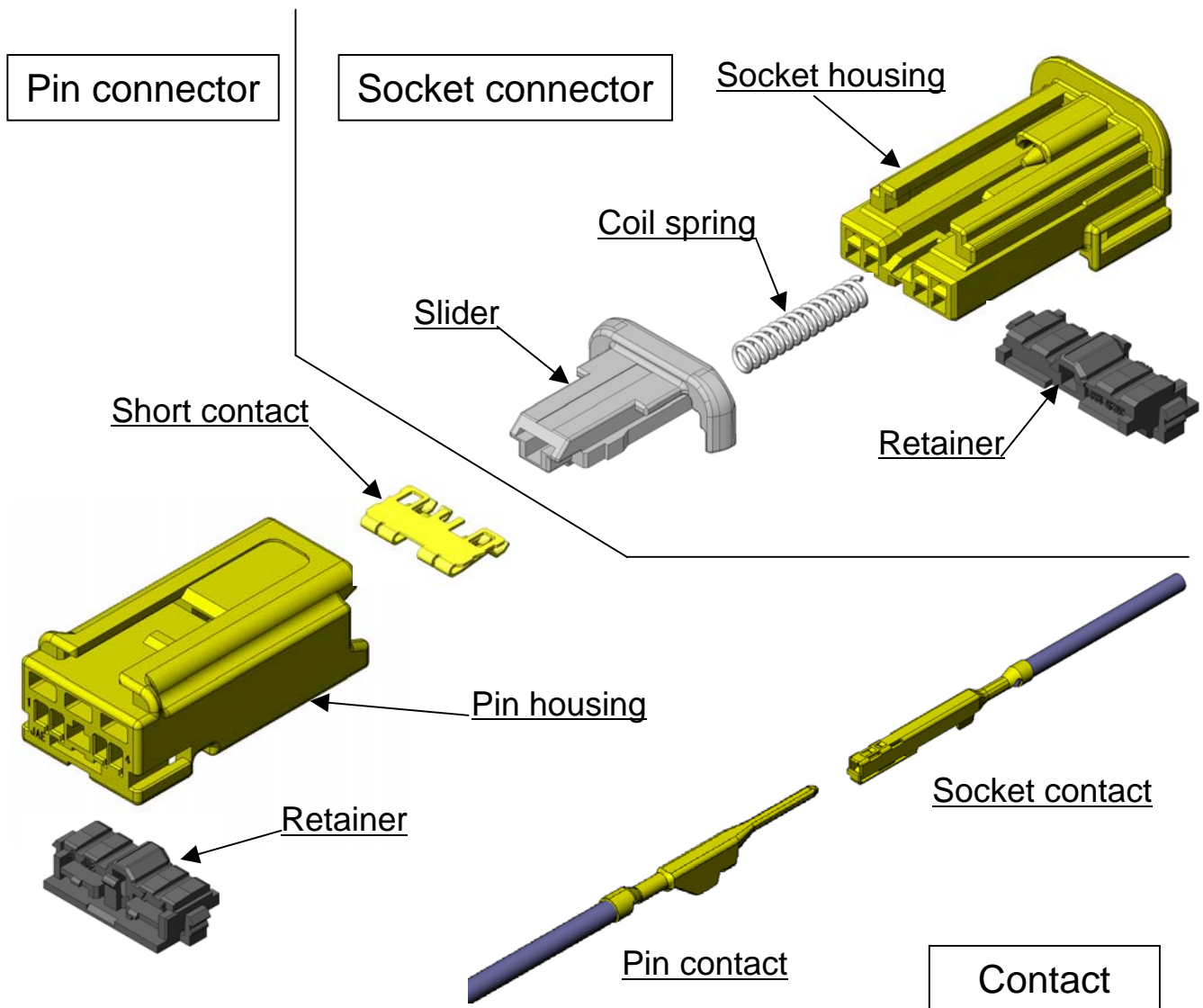
- A highly reliable non-waterproof compact connector developed for automotive airbags.
- The connection of the contacts will be separated by the repulsion of the coil spring, if the connectors are not locked by a complete mating.
- No. of contacts 4pos.
- Mating can be recognized by a clear click feeling by the mechanical lock.
- Malfunction due to static electricity will be prevented by the short contacts built-in the pin connector.
- The preset retainer detects incomplete mating.

General Specifications

- | | |
|---|----------------------------|
| • No. of contacts: 4 pos. | • Applicable wire: AVSS0.5 |
| • Contact resistance: 5m ohm max. (initial) | AVSSC0.5f |
| • Dielectric withstanding voltage: | AVSSX0.5f |
| AC 1000 V (per minute) | TVSSX0.5f |
| • Operating temperature: -40 to +105 Deg. C | |
| • Insulation resistance: 100M ohm min. | |

Materials and Finishes

Products	Componets	Materials	Finishes/ Colors
Socket connector	Socket housing	PBT	Yellow
	Retainer	30% GF PBT	Black
	Slider	30% GF PBT	Black
	Coil spring	Stainless steel	-
Pin connector	Pin housing	PBT	Yellow
	Retainer	30% GF PBT	Black
	Short contact	Copper alloy	Partially Au plating
Contact	Socket contact	Copper alloy	Partially Au plating
	Pin contact	Copper alloy	Partially Au plating

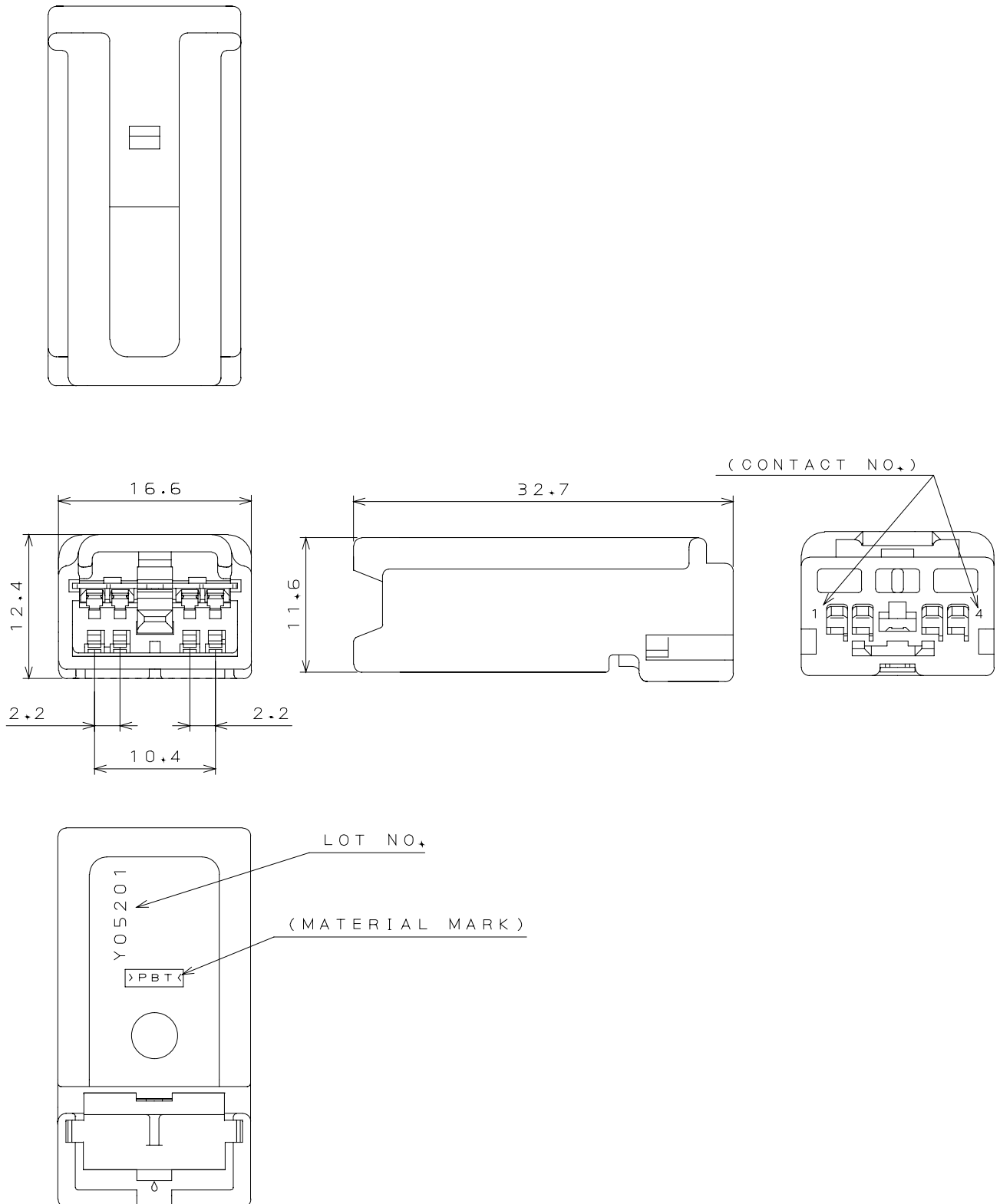


Crimping and Release tools

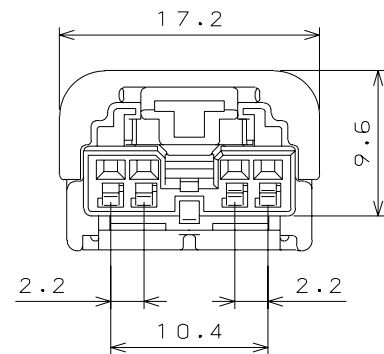
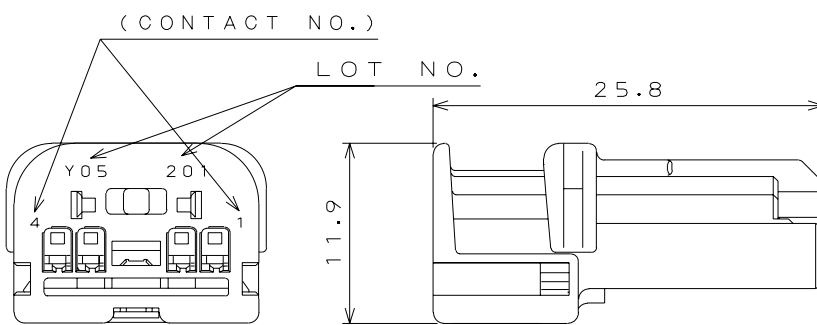
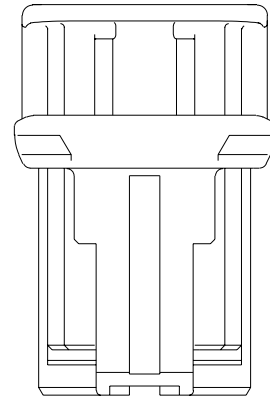
Contact part number	Contact release jig	Semi automatic applicator	Automatic applicator
M37P75C4P3 (pin)	ET-MX37-1B	350-MX37P-2	350-MX37P-3B
M37S07K4P3 (Socket)		350-MX37S-2	350-MX37S-3B

Outer Dimensions

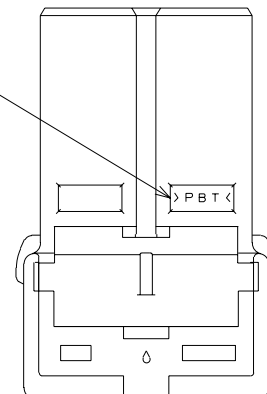
(1) Pin connector (MX37004PP3)
(SJ Drawing SJ101584)



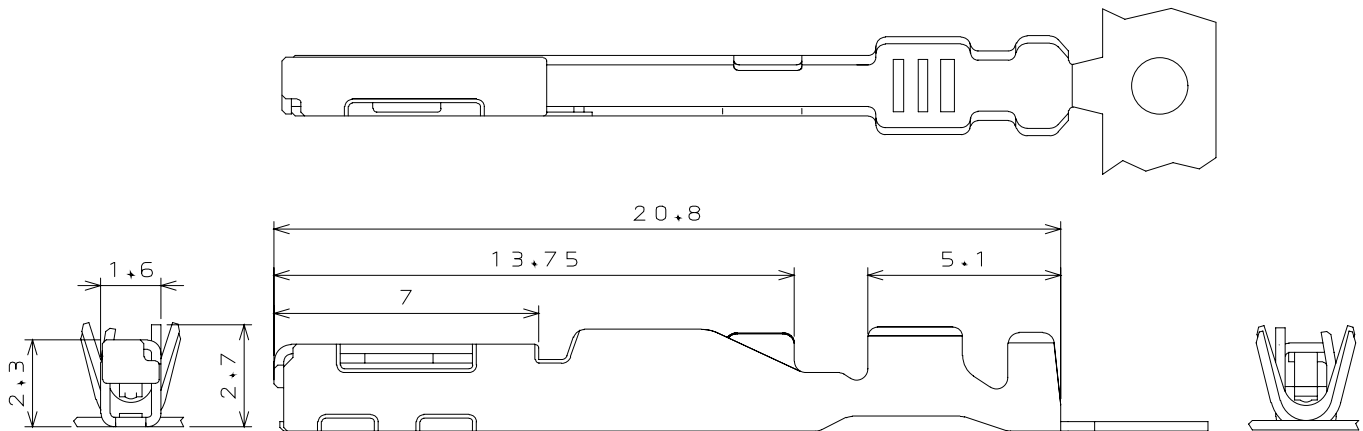
(2) Socket Connector (MX37004SP3)
(SJ Drawing SJ101585)



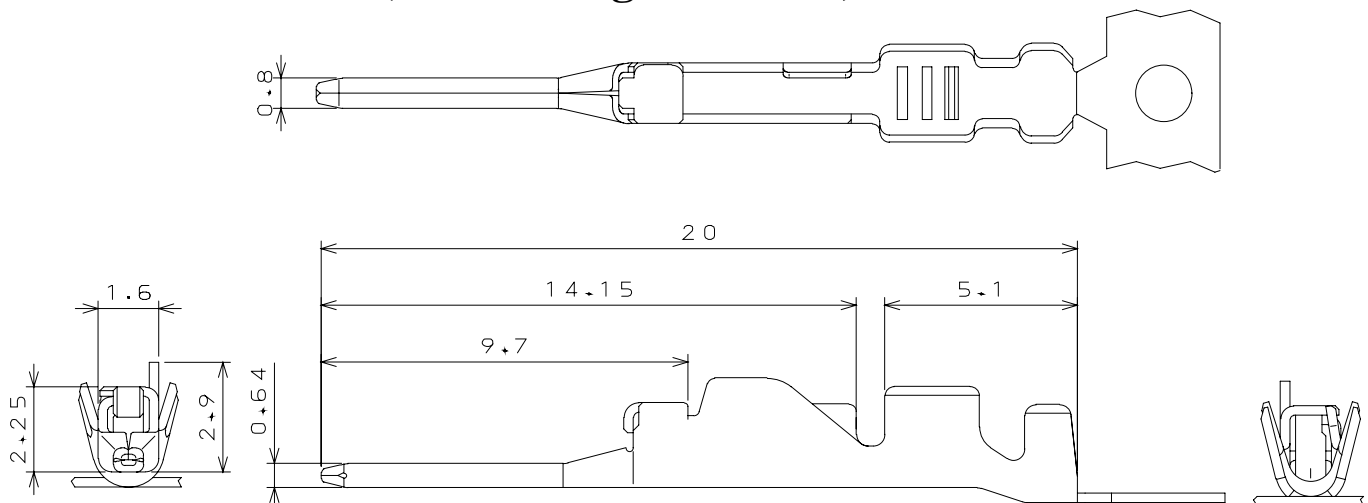
(MATERIAL MARK)



(3) Socket contact (M37S07K4P3)
(SJ Drawing SJ101587)



(4) Pin contact (M37P75C4P3)
(SJ Drawing SJ101586)



Others

Specifications

JACS-10241

Instruction manual

JAHL-10241

Notice: Products shown in this leaflet are made for the applications listed below. However, if the above-mentioned products are to be used in aerospace devices, marine cable-connection devices, atomic power control systems, medical equipment for life-support systems, or any other specific application requiring extremely high reliability, please contact JAE for further information.
 Recommended applications: Computers, Office machines, Measuring devices, Telecommunication devices (Terminals, Mobile devices), AV devices, Household applications, FA devices, etc.

Japan Aviation Electronics Industry, Limited

Product Marketing Division
 Aobadai Building, 3-1-19, Aobadai, Meguro-ku, Tokyo 153-8539
 Phone: +81-3-3780-2787 FAX: +81-3-3780-2946

X-ON Electronics

Largest Supplier of Electrical and Electronic Components

Click to view similar products for [Automotive Connectors](#) category:

Click to view products by [JAE](#) manufacturer:

Other Similar products are found below :

[003-018-000](#) [60403001](#) [60993906-B](#) [M902-2131](#) [M902-2161](#) [72.330.1035.1](#) [73.353.4028.0](#) [F119300-B](#) [F166900](#) [F258300-B](#) [F358300-B](#)
[F407400](#) [F444110](#) [F487000](#) [F509500B-B](#) [827153-1](#) [8N1515-32-24P](#) [9-1326729-8](#) [925474-1](#) [928905-1](#) [964562-4](#) [968782-1](#) [GT17SA-8DS-](#)
[HU](#) [98891-1012](#) [98947-1016](#) [12004147](#) [12004475-L](#) [12010290](#) [12010309-B](#) [12015454](#) [12020219-B](#) [12020308](#) [12041318-B](#) [12052466](#)
[12059125](#) [12064869](#) [12004327-B](#) [12010503-B](#) [12015308](#) [12015384](#) [12015909](#) [1-21030-1](#) [12041254](#) [12041318](#) [12047946-B](#) [12047957](#)
[12047957-L](#) [12059473](#) [12066261](#) [12110546](#)