

**NEW**  

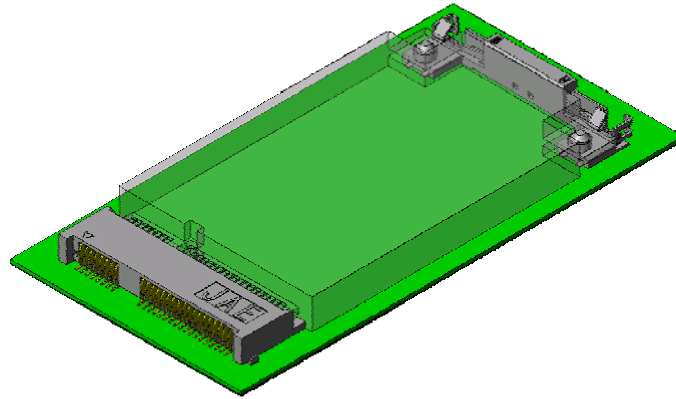

Compatible with PCI Express Mini Card

**MM60 Series**

CONNECTOR

MB-0147-3

February 2008

**RoHS Compliant**

The MM60 series is a module socket compatible with specifications standardized by the PCI-SIG.

**Features**

- Compatible with the PCI Express Mini Card Electromechanical spec and can be used for connecting with modules with PCI Express and USB transmission.
- Retention latch part available to fix module to connector.  
Latch has mechanisms on both sides for module ejection.
- Two types of module mounting heights are developed.  
Stand-off product allows components of under 1.8mm height to be placed below the module.
- Connector and latch are compatible with automatic mounting.  
Packing form is embossed tape.

**General Specifications**

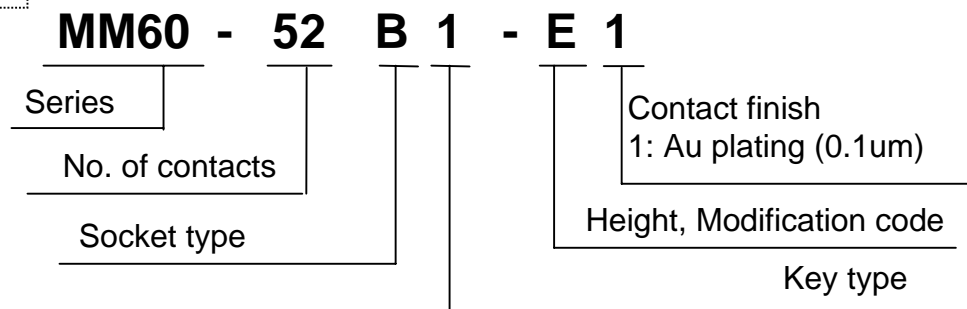
- No. of contacts: 52 pos.
- Contact resistance: 55m ohm max. (initial)
- Dielectric withstanding voltage: AC 300Vr.m.s (per minute)
- Operating temperature: -40 to+80 Deg. C
- Rated Current: 0.5A per pin
- Life time: 50 times
- Insertion loss: -1dB min.(1.25Ghz max.)/-5dB min.(3.75Ghz max.)
- Return loss: -12dBmax.(1.3GHz max.)/-7dB max.(2Ghz max.)/-4dB(3.75GHz max.)
- Cross talk(near end): -32dB max.(1.25Ghz max.)/-26dBmax.(3.75Ghz max.)

Materials and Finishes

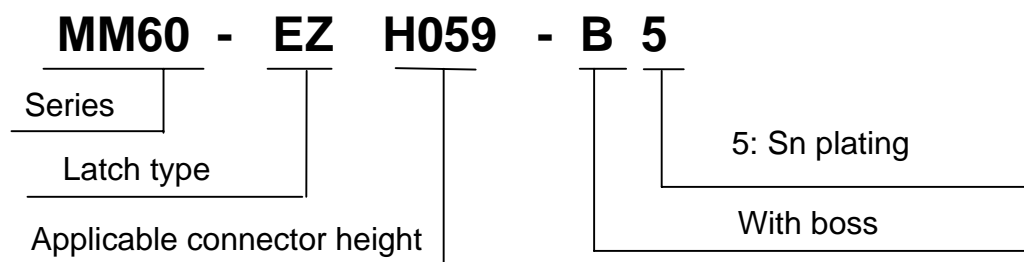
Components	Materials/ Finishes
Connector	
Contact	Copper alloy/ contact area: Au plating over Ni terminal area: Au flash over Ni
Insulator	Heat resistant material (UL94V-0)
Hold down	Copper alloy/ Sn plating
Latch	
Contact	Stainless steel/ Sn plating
Insulator	Heat resistant material (UL94V-0)

Ordering Information

Connector



Latch

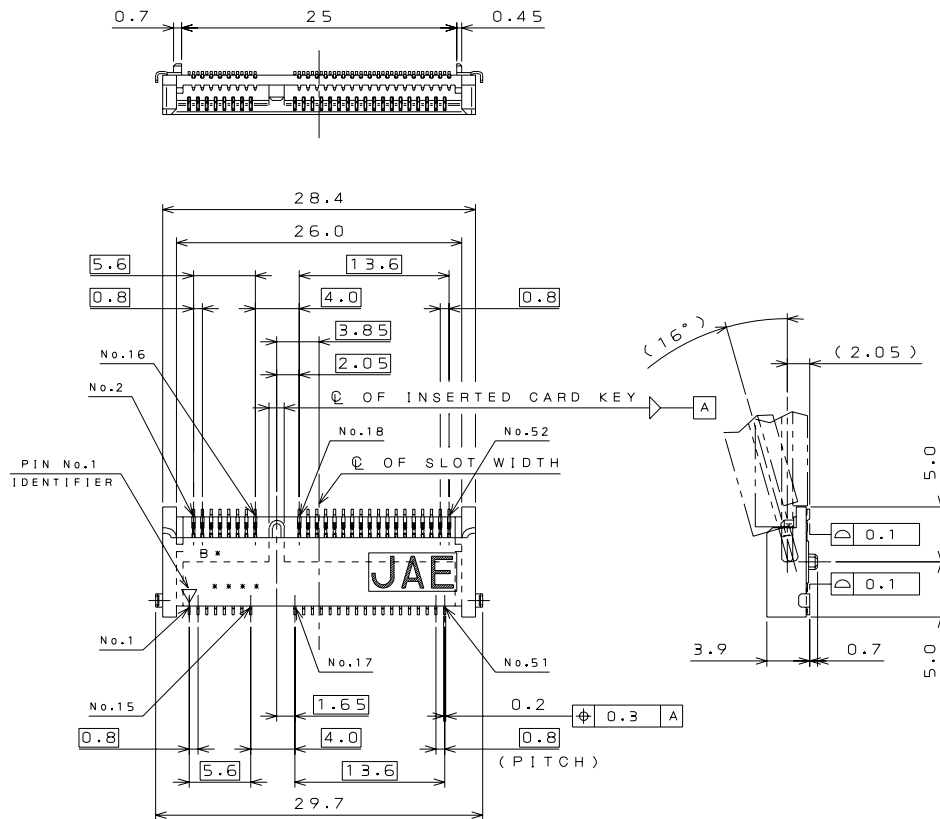


Combination

	Connector	Latch
Height 1	MM60-52B1-B1	MM60-EZH039-B5
Height 2	MM60-52B1-E1	MM60-EZH059-B5

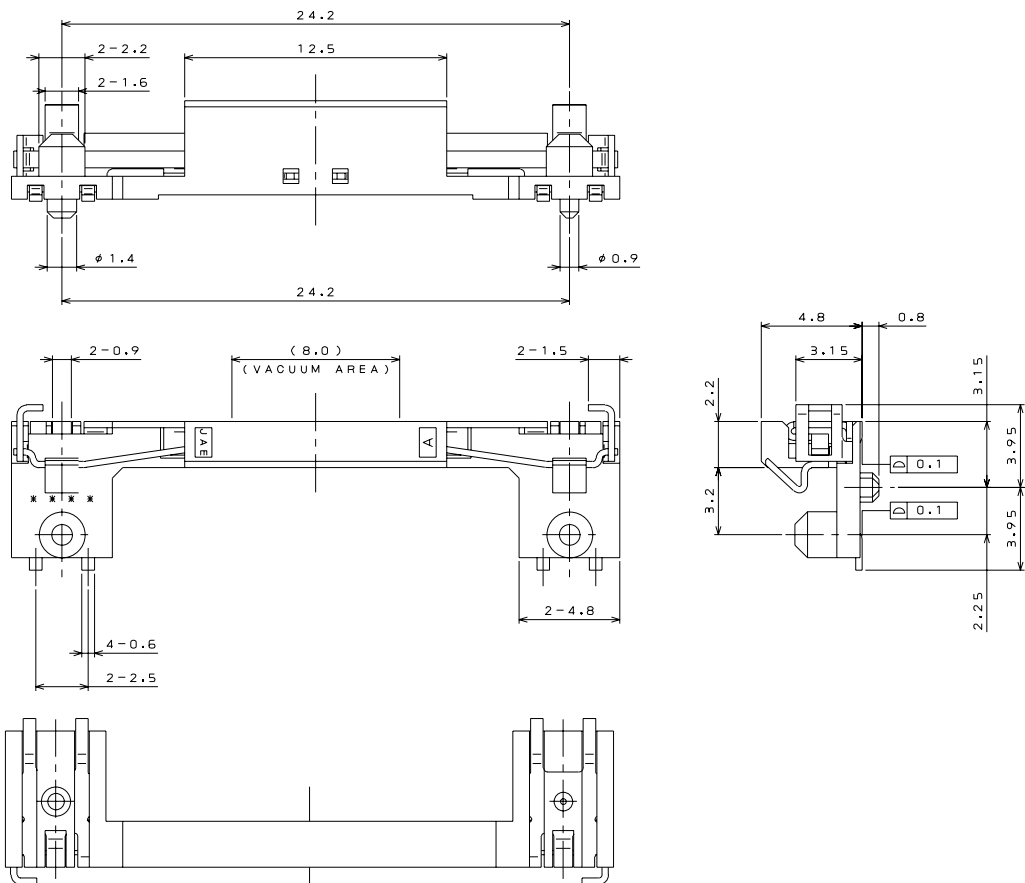
# Connector side: MM60-52B1-B1 (SJ105215)

Embossed Tape Product: MM60-52B1-B1-R850 (SJ105216)



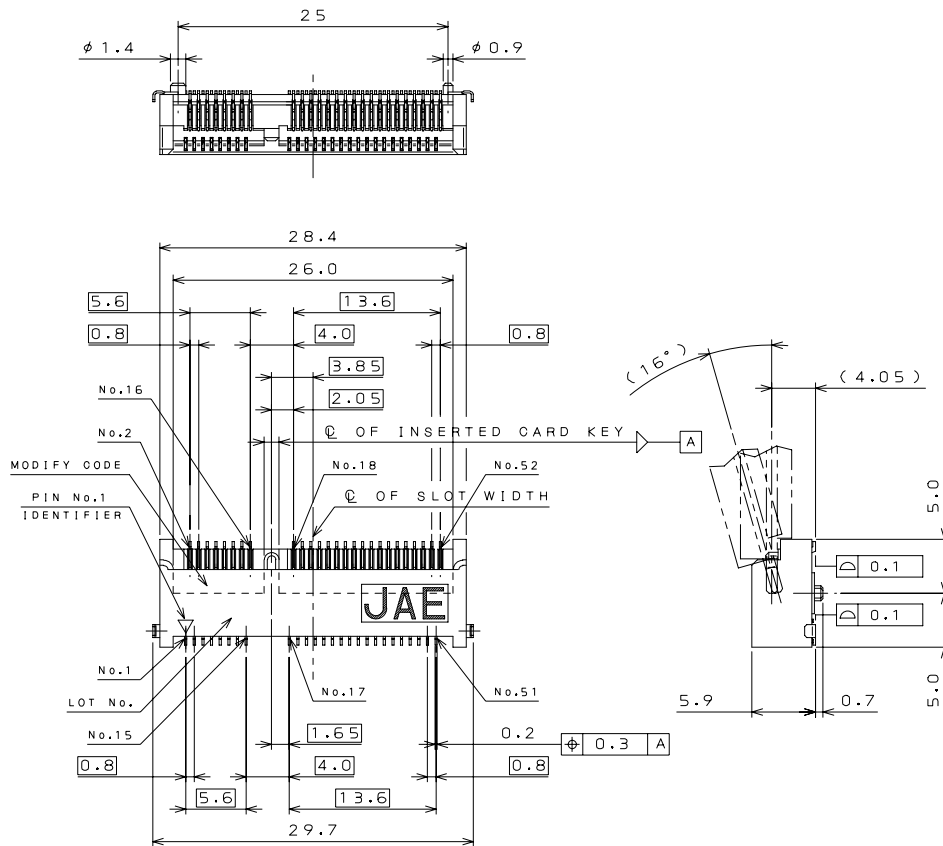
# Latch side: MM60-EZH039-B5 (SJ105217)

Embossed Tape Product: MM60-EZH039-B5-R850 (SJ105218)



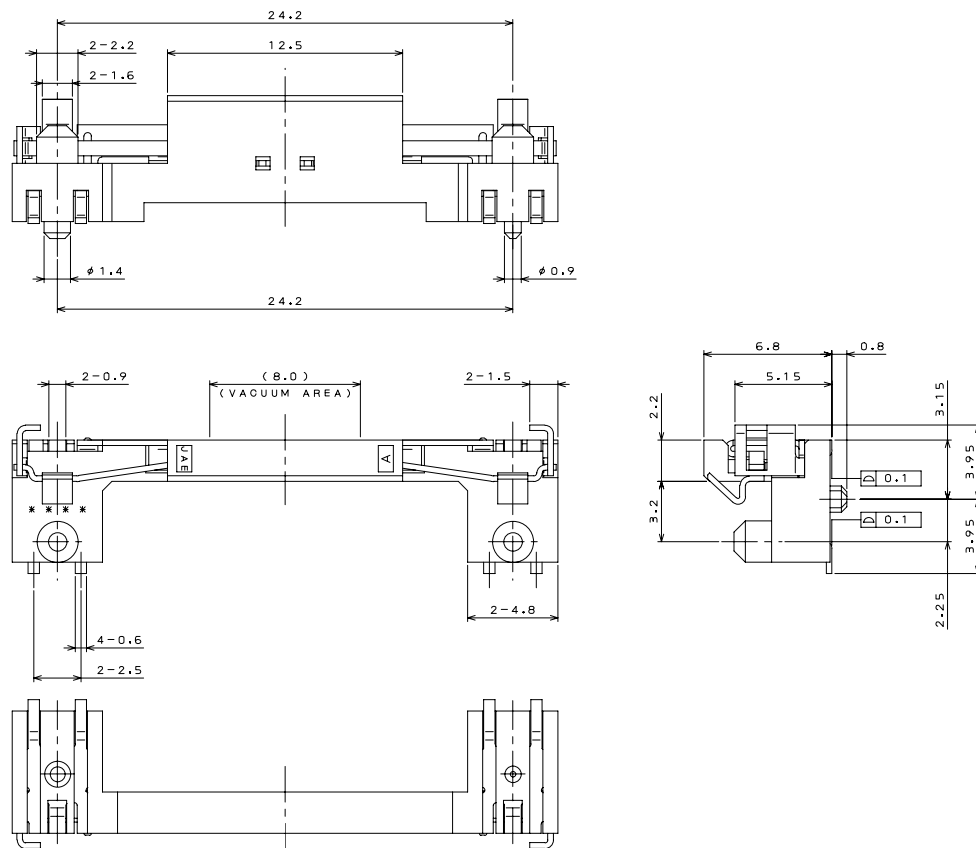
# Connector side: MM60-52B1-E1 (SJ105219)

Embossed Tape Product: MM60-52B1-E\*-R650 (SJ105220)



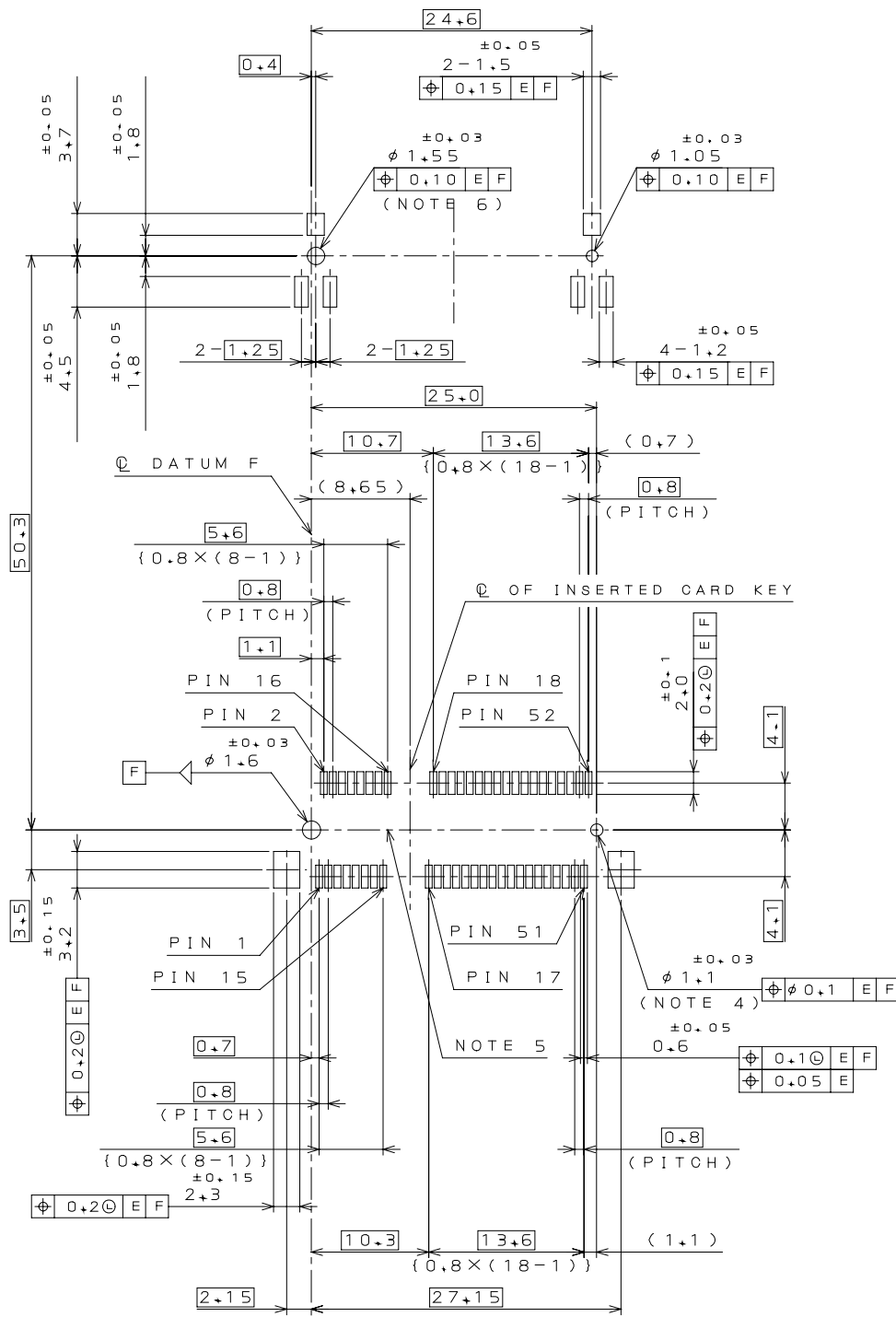
# Latch side: MM60-EZH059-B5 (SJ105221)

Embossed Tape Product: MM60-EZH059-B5-R650 (SJ105222)





# Applicable dimensions of board (for reference)



**\*\*Please refer to SJ drawing when considering this product**

## Japan Aviation Electronics Industry, Limited

Product Marketing Division  
 Aobadai Building, 3-1-19, Aobadai, Meguro-ku, Tokyo 153-8539  
 Phone: +81-3-3780-2787 FAX: +81-3-3780-2946

**Notice:** Products shown in this leaflet are made for the applications listed below. However, if the above-mentioned products are to be used in aerospace devices, marine cable-connection devices, atomic power control systems, medical equipment for life-support systems, or any other specific application requiring extremely high reliability, please contact JAE for further information.

Recommended applications: Computers, Office machines, Measuring devices, Telecommunication devices (Terminals, Mobile devices), AV devices, Household applications, FA devices, etc.

## X-ON Electronics

Largest Supplier of Electrical and Electronic Components

*Click to view similar products for [PCI Express/PCI Connectors](#) category:*

*Click to view products by [JAE](#) manufacturer:*

Other Similar products are found below :

[UEX220-6U](#) [10039755-10110TLF](#) [1-1871239-2](#) [2170560-2](#) [10125756-980000LF](#) [EB220-3U](#) [WD2M144WB2R300](#) [10061913-120PLF](#)  
[GPCP146400111HR](#) [GPCP442628110HR](#) [GPCP446200120HR](#) [GPCP245400111HR](#) [10082378-10000TLF](#) [87715-9256](#) [MDT580M03001](#)  
[0877159107](#) [MDT580M01001](#) [10018783-11000MLF](#) [10018783-11101TLF](#) [10108777-10000ALF](#) [10141523-111T0LF](#) [10145445-10003MLF](#)  
[PSASF2130311TR](#) [PSASF3130411TR](#) [PSASF3130131TR](#) [7-1734774-7](#) [3-1761465-1](#) [10039755-10111TLF](#) [10039755-10112TLF](#) [10018783-](#)  
[10211TLF](#) [10018784-10211TLF](#) [10018784-10212TLF](#) [1761465-2](#) [1871058-1](#) [5-1761465-4](#) [10018783-10200MLF](#) [10018783-10213TLF](#)  
[10018784-10210TLF](#) [10018784-11113TLF](#) [10025026-10001TLF](#) [5145154-8](#) [1871058-4](#) [2041119-2](#) [10018783-10212TLF](#) [10018784-](#)  
[10102TLF](#) [10018783-11200TLF](#) [10123371-001TRLF](#) [10018784-10110TLF](#) [6-1734774-7](#) [6-1734774-9](#)