

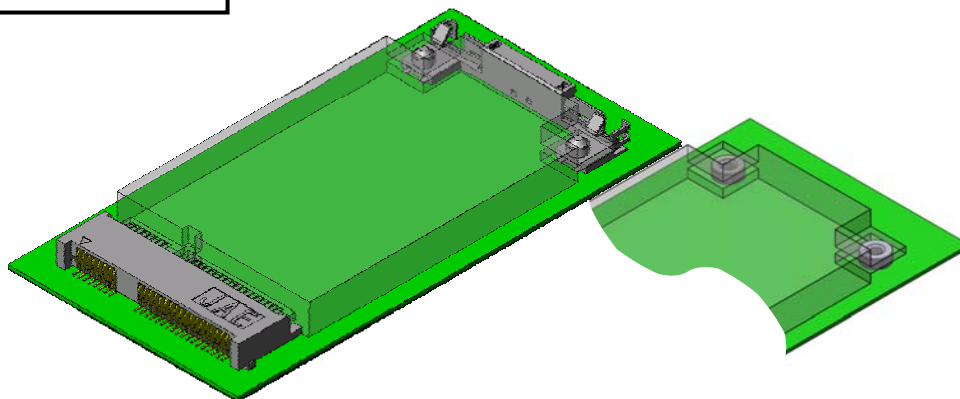
NEW


Compatible With PCI Express Mini Card

CONNECTOR

MB-0147-5

May 2011

MM60 Series**RoHS Compliant**

The MM60 Series is a module socket compatible with specifications standardized by the PCI-SIG.

Features

- Compatible with the PCI Express Mini Card Electromechanical spec and can be used for connecting with modules with PCI Express and USB transmission.
- 76-contact socket is compatible with DMC (Display Mini Card).
- Retention latch part available to fix module to connector.
Latch has mechanisms on both sides for module ejection.
- Two types of module mounting heights are available.
Stand-off type allows components of under 1.8mm height to be placed below the module.
- Connector and latch are compatible with automatic mounting.
Packing form is embossed tape.

General Specifications

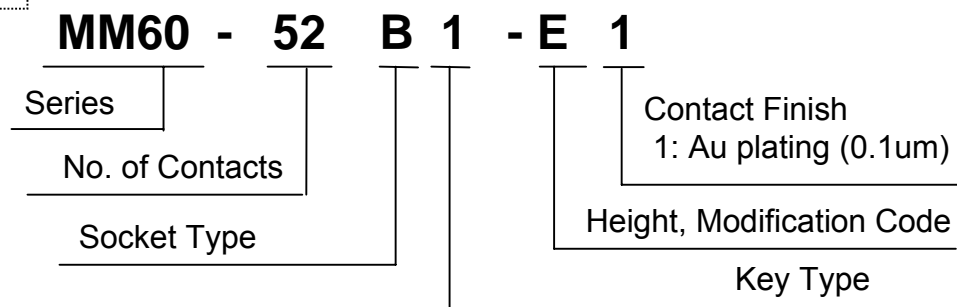
- No. of Contacts: 52 pos., 76 pos.
- Contact Resistance: 60mΩ max. (initial)
- Dielectric Withstanding Voltage: AC 300Vr.m.s (per minute)
- Operating Temperature: -40 to +85 Deg. C
- Rated Current: 0.5A per pin
- Durability: 50 mating cycles
- Insertion Loss: -1dB min.(1.25GHz max.) / -5dB min.(3.75GHz max.)
- Return Loss: -12dB max.(1.3GHz max.) / -7dB max.(2GHz max.) / -4dB(3.75GHz max.)
- Crosstalk (Near End): -32dB max.(1.25GHz max.) / -26dB max.(3.75GHz max.)

Materials and Finishes

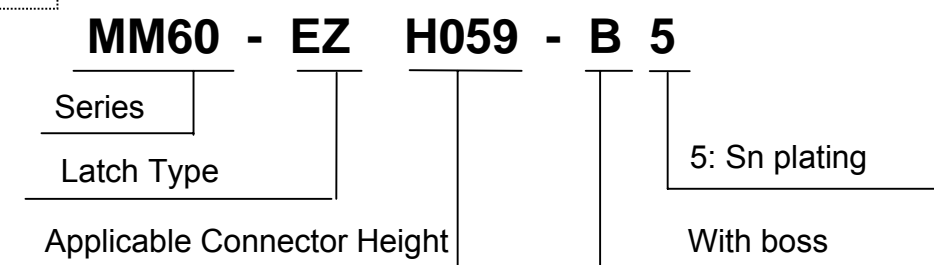
Component	Material / Finish
Connector	
Contact	Copper alloy / Contact area: Au plating over Ni Terminal area: Au flash over Ni
Insulator	Heat resistant material (UL94V-0)
Hold down	Copper alloy / Sn plating
Latch	
Contact	Stainless steel / Sn plating
Insulator	Heat resistant material (UL94V-0)
Nut	
Nut	Brass / Sn plating

Ordering Information

Connector



Latch

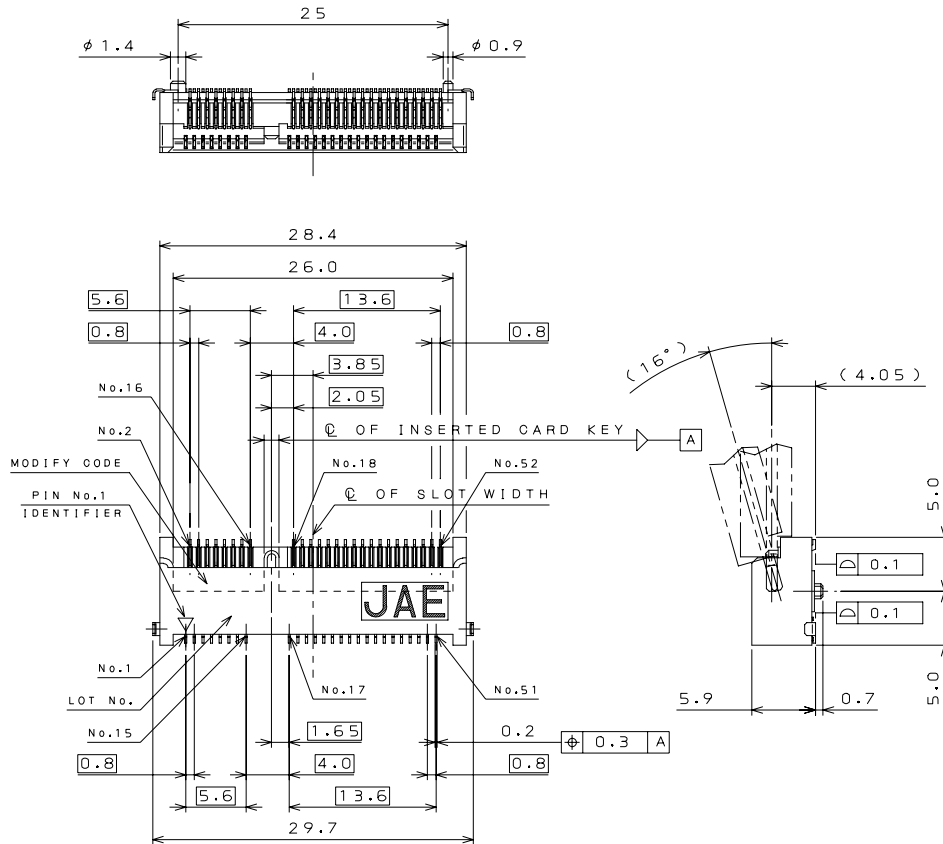


Combination

	Connector	Latch	Nut
Height 1	MM60-52B1-G1	MM60-EZH039-B5	NT1
	MM60-76B2-G1		
Height 2	MM60-52B1-E1	MM60-EZH059-B5	NT4
Height 3	MM60-52C2-R1	----	----

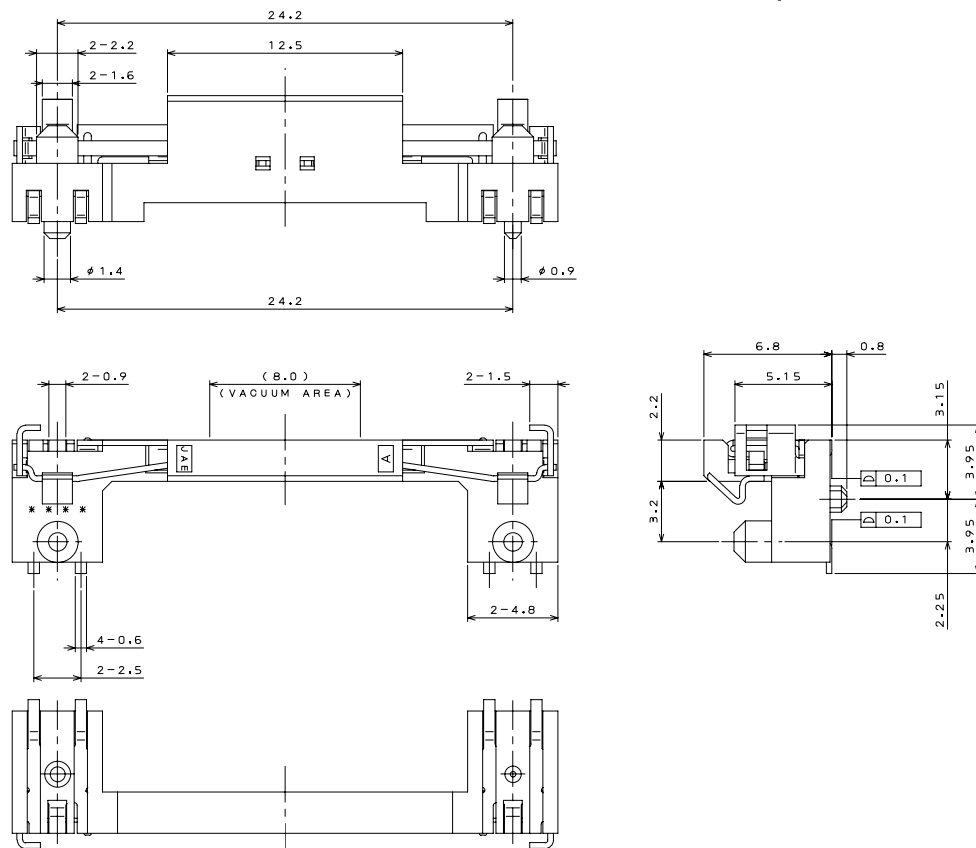
Connector: MM60-52B1-E1 (SJ105219)

Embossed Tape Product: MM60-52B1-E*-R650 (SJ105220)



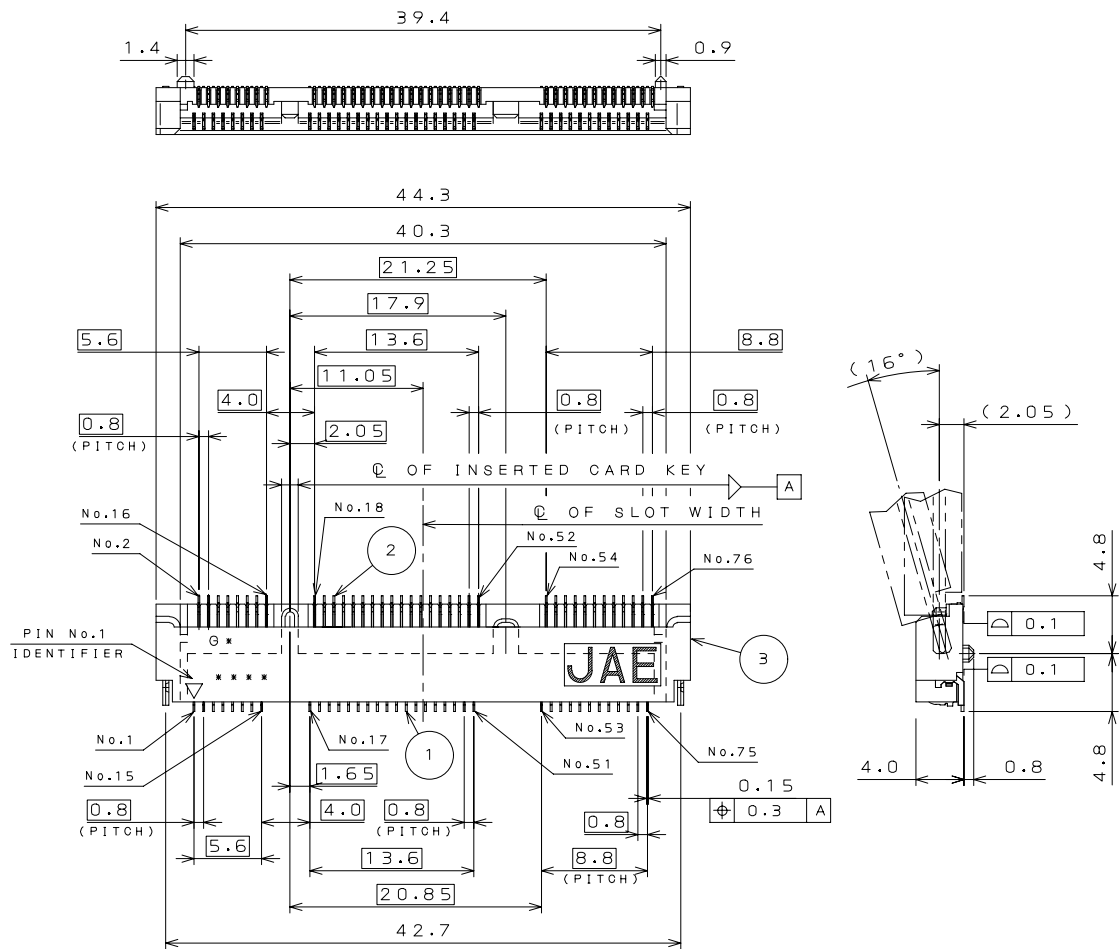
Latch: MM60-EZH059-B5 (SJ105221)

Embossed Tape Product: MM60-EZH059-B5-R650 (SJ105222)



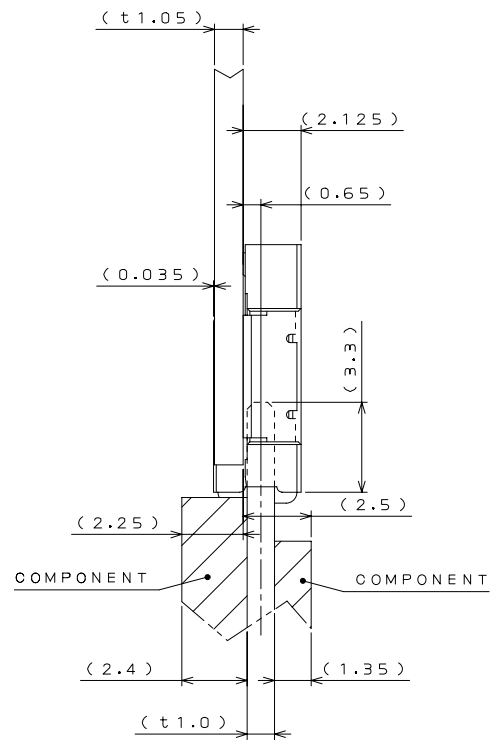
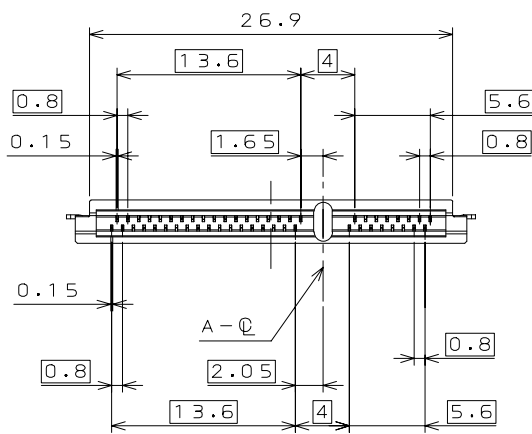
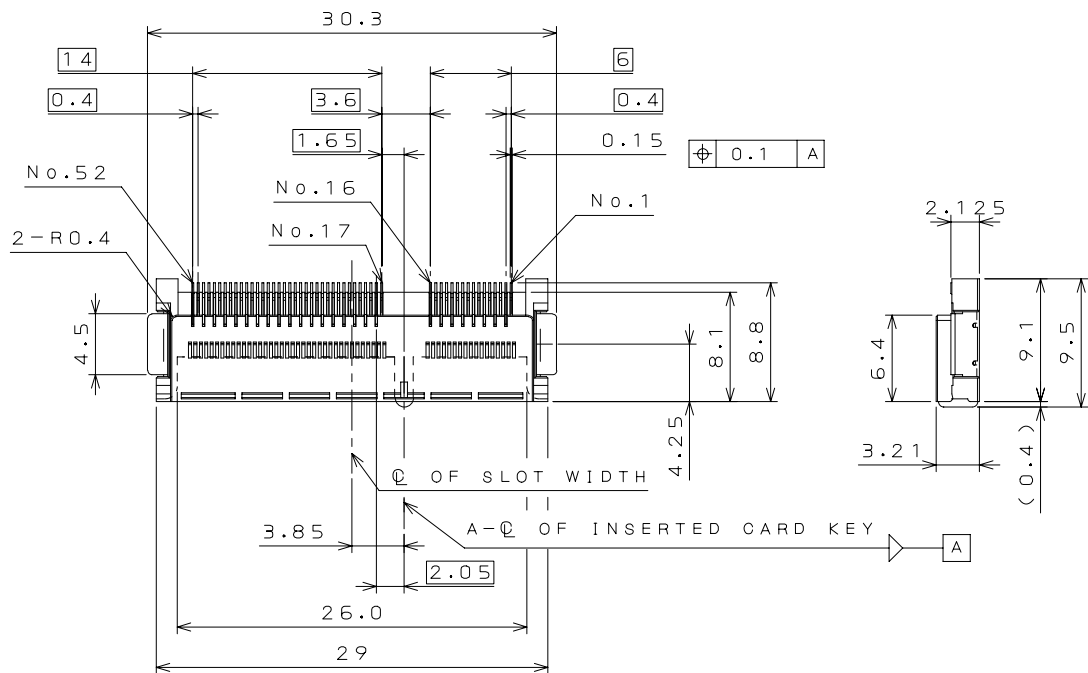
Connector: MM60-76B2-G1 (SJ110638)

Embossed Tape Product: MM60-76B2-G1-R1000 (SJ110836)



Connector: MM60-52C2-R1 (SJ111356)

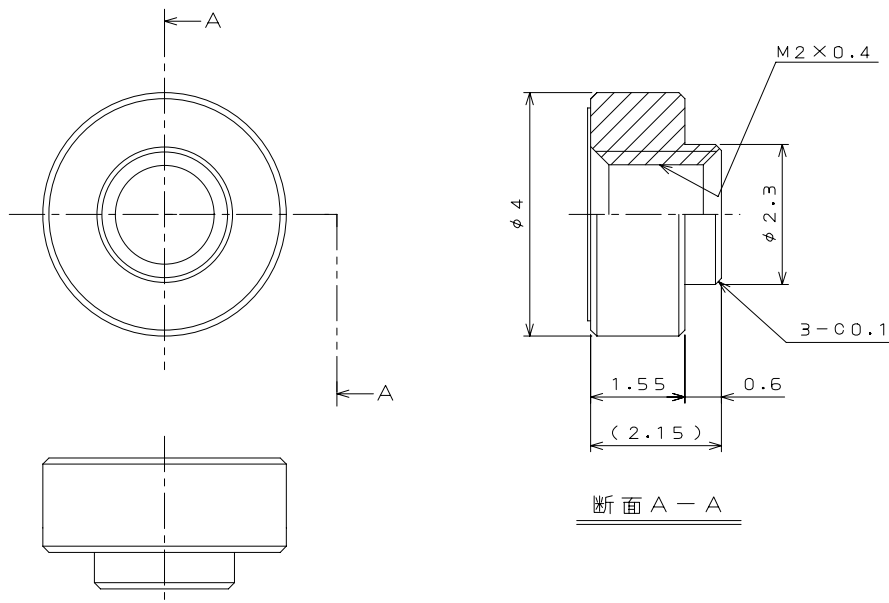
Embossed Tape Product: MM60-52C2-R1-R1200(SJ111357)



MOUNTING CONDITION (REF.)
実装状態図 (参考)

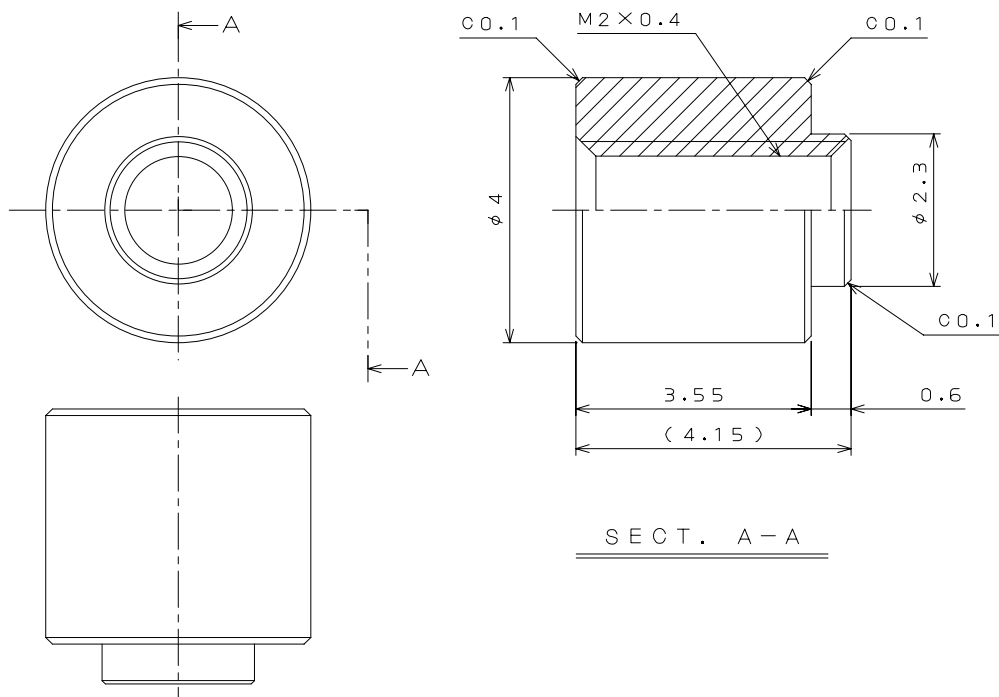
Latch: NT1 (SJ109548)

Embossed Tape Product: NT1R3000 (SJ109575)

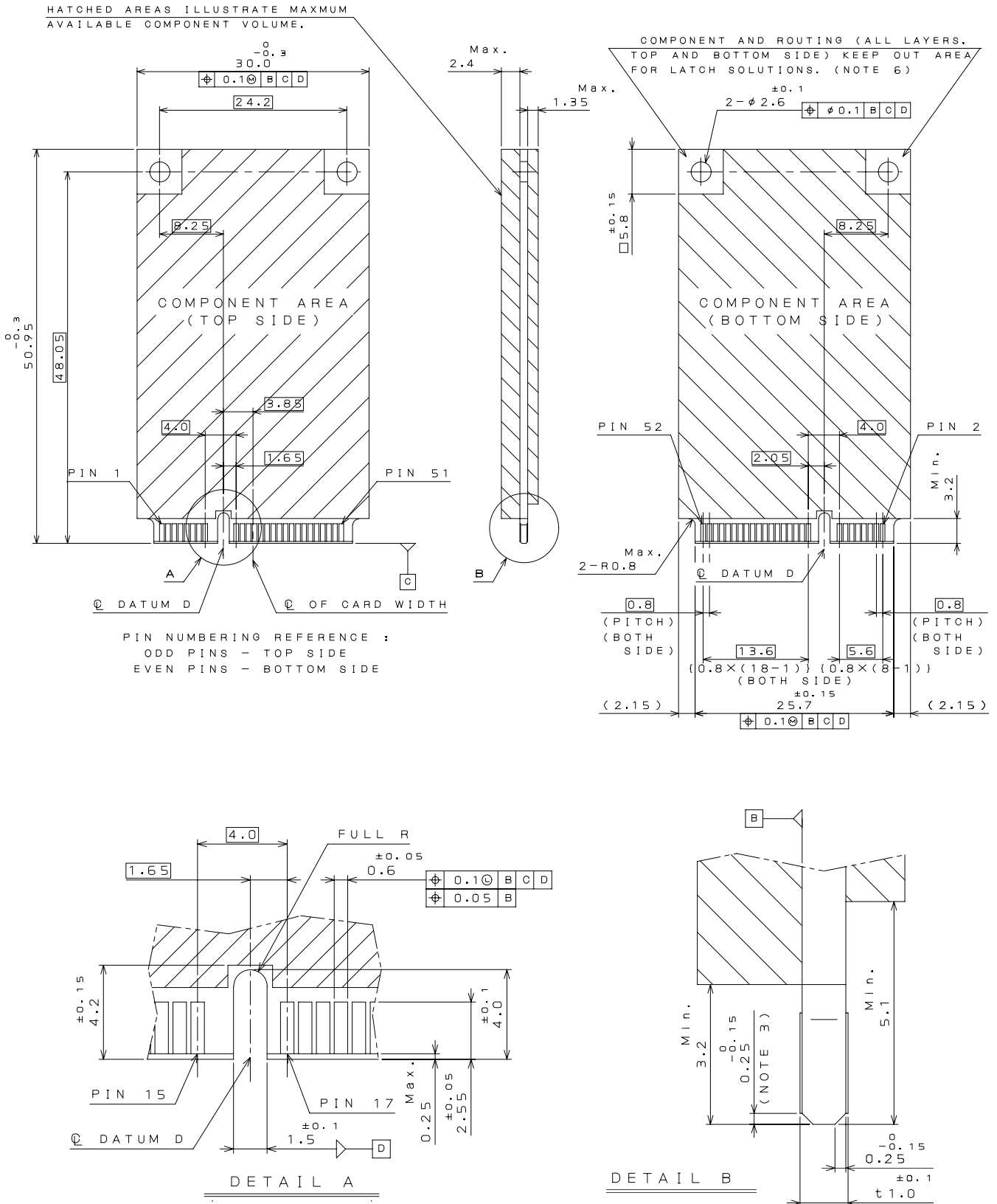


Latch: NT4 (SJ110869)

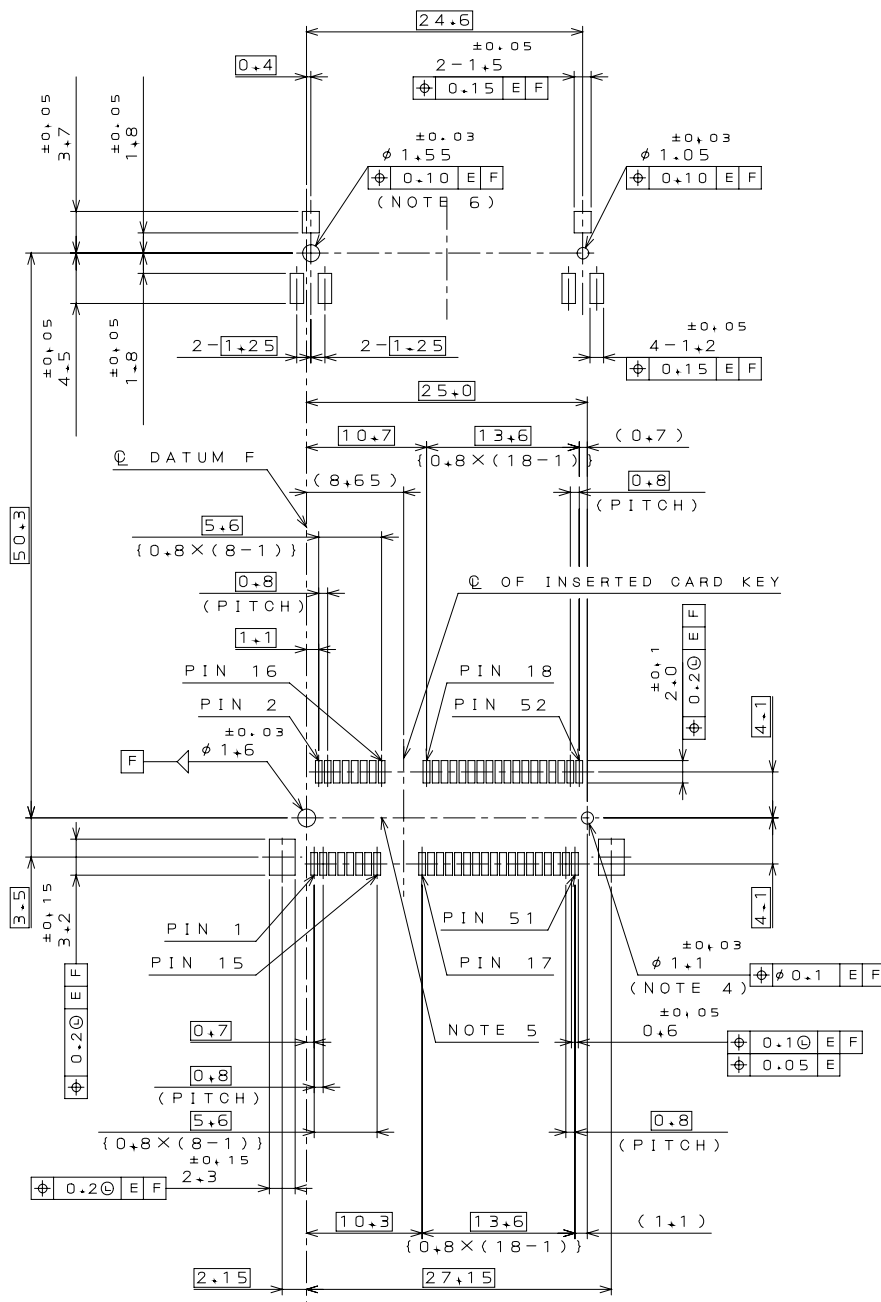
Embossed Tape Product: NT4R1600 (SJ110870)



Applicable Module Dimensions (52 pos., for reference)



Board Mounting Dimensions (52 pos., for reference)



****Please refer to SJ drawing when considering this product**

Japan Aviation Electronics Industry, Limited

Product Marketing Division
 Aobadai Building, 3-1-19, Aobadai, Meguro-ku, Tokyo 153-8539
 Phone: +81-3-3780-2787 FAX: +81-3-3780-2946

Notice: Products shown in this brochure are made for the applications listed below. However, if the above-mentioned products are to be used in aerospace devices, marine cable-connection devices, atomic power control systems, medical equipment for life-support systems, or any other specific application requiring extremely high reliability, please contact JAE for further information.

Recommended applications: Computers, Office machines, Measuring devices, Telecommunication devices (Terminals, Mobile devices), AV devices, Household applications, FA devices, etc.

X-ON Electronics

Largest Supplier of Electrical and Electronic Components

Click to view similar products for [PCI Express/PCI Connectors](#) category:

Click to view products by [JAE](#) manufacturer:

Other Similar products are found below :

[UEX220-6U](#) [10039755-10110TLF](#) [1-1871239-2](#) [2170560-2](#) [10125756-980000LF](#) [EB220-3U](#) [WD2M144WB2R300](#) [10061913-120PLF](#)
[GPCP146400111HR](#) [GPCP442628110HR](#) [GPCP446200120HR](#) [GPCP245400111HR](#) [10082378-10000TLF](#) [87715-9256](#) [MDT580M03001](#)
[0877159107](#) [10018783-11000MLF](#) [10108777-10000ALF](#) [10141523-111T0LF](#) [10145445-10003MLF](#) [PSASF2130311TR](#) [PSASF3130411TR](#)
[PSASF3130131TR](#) [7-1734774-7](#) [3-1761465-1](#) [10039755-10111TLF](#) [10039755-10112TLF](#) [10018783-10211TLF](#) [10018784-10211TLF](#)
[10018784-10212TLF](#) [1761465-2](#) [1871058-1](#) [5-1761465-4](#) [10018783-10200MLF](#) [10018783-10213TLF](#) [10018784-10210TLF](#) [10018784-](#)
[11113TLF](#) [10025026-10001TLF](#) [5145154-8](#) [1871058-4](#) [2041119-2](#) [10018783-10212TLF](#) [10018784-10102TLF](#) [10018783-11200TLF](#)
[10123371-001TRLF](#) [10018784-10110TLF](#) [6-1734774-7](#) [6-1734774-9](#) [1775838-2](#) [10018783-10000TLF](#)