

**NEW**  

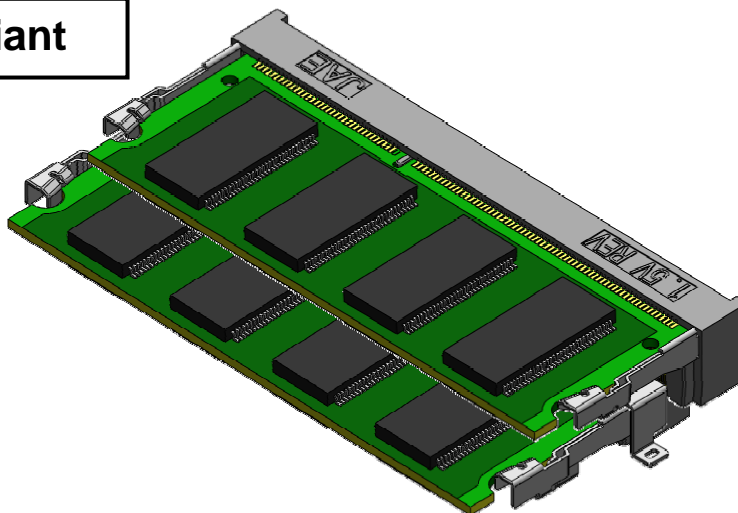

DDR SDRAM SODIMM Connector

CONNECTOR

MB-0213-1

**MM80 Series**

September 2010

**RoHS Compliant**

The MM80 Series is a 204 position DDR3 SDRAM SODIMM\* socket which is compatible with the JEDEC MO-268C standard.

It is a highly reliable right-angle SMT type connector with a unique contact structure for improved contact force, a design that prevents incomplete mating by not locking unless the DIMM board is completely inserted, and stable contact achieved by assured positioning of the DIMM board.

DDR3: Double Data Rate 3

SDRAM: Synchronous Dynamic Random Access Memory

SODIMM: Small Outline Dual In-line Memory Module

**Features**

- DDR3 SDRAM SODIMM 204 pos. socket compatible with JEDEC standard MO-268C.
- Mis-mating prevention key is compatible with operation voltage 1.5V (DDR3).
- Right-angle SMT type available in two connector heights: 5.2mm and 9.2mm.
- To meet system requirements, products compatible with reverse mounting are also available (5.2mm and 9.2mm height).

**General Specifications**

- No. of Contacts: 204 pos.
- Contact Resistance: 40mΩ max.
- Dielectric Withstanding Voltage: AC 500Vr.m.s (per minute)
- Contact Pitch: 0.6mm
- Operating Temperature: -55 to+105 Deg. C
- Rated Current: 0.3A
- Insulation Resistance: 100MΩ min.
- Durability: 25 mating cycles
- Applicable DIMM Board Thickness: 1.0 ± 0.1mm

Materials and Finishes

Component	Material / Finish
Metal Latch	Stainless / Sn plating
Insulator	Glass filled LCP
Contact	Contact area: Phosphor bronze / 0.1µm min. Au plating over Ni Terminal area: Phosphor bronze / Au flash plating over Ni

Ordering Information

**MM80 - 204 B 1 - \* 1 R**

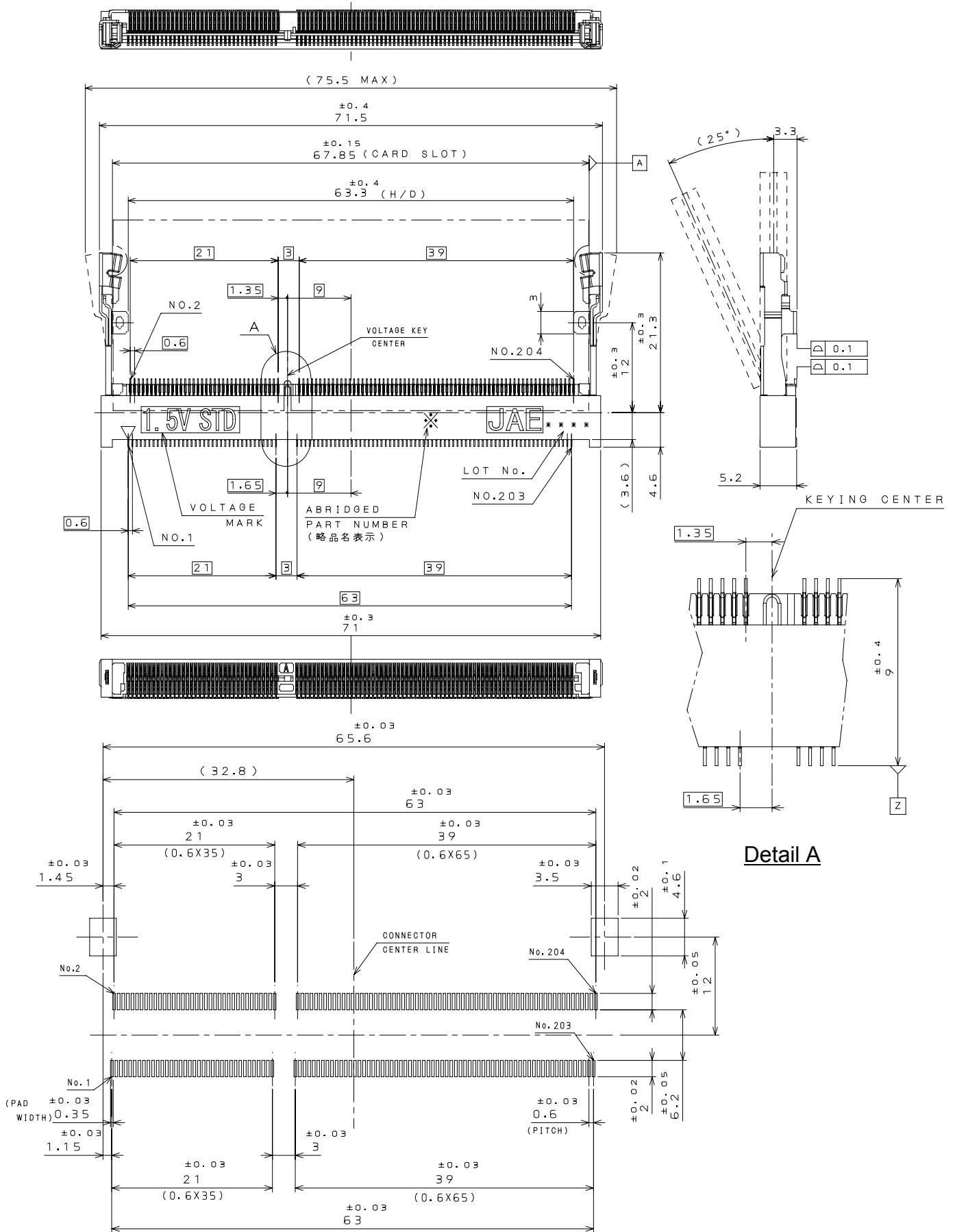
Series	
No. of Contacts	
Socket Type	B: Latch Type SMT Mounting
Key Type	1: TYPE A (1.5V)

R: Reverse Mounting None: Standard Mounting
Contact Finish 1: 0.1µm min. Au plating over Ni
Modification Code None: Product Height 5.2mm, without boss E: Product Height 9.2mm, without boss

Part Number and SJ Drawing Number

Part Number	Product Height	Boss	Mounting Direction	SJ Drawing	Specification
MM80-204B1- 1	5.2	No	Standard	SJ110291	JACS-10662
MM80-204B1- 1R	5.2	No	Reverse	SJ110255	
MM80-204B1-E1	9.2	No	Standard	SJ110292	
MM80-204B1-E1R	9.2	No	Reverse	SJ110282	

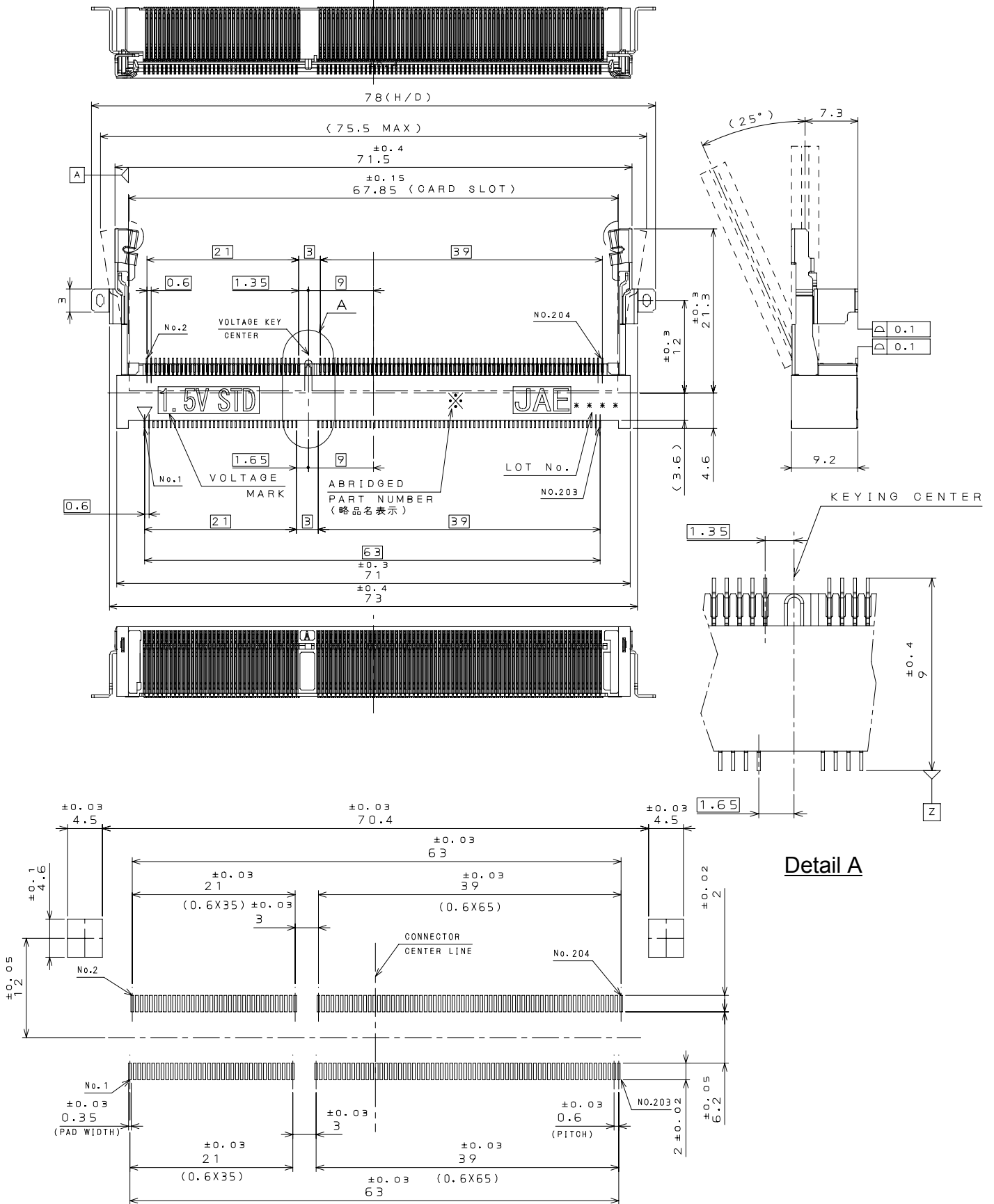
# MM80-204B1- 1



Applicable P.C.B. Dimensions (for Reference)

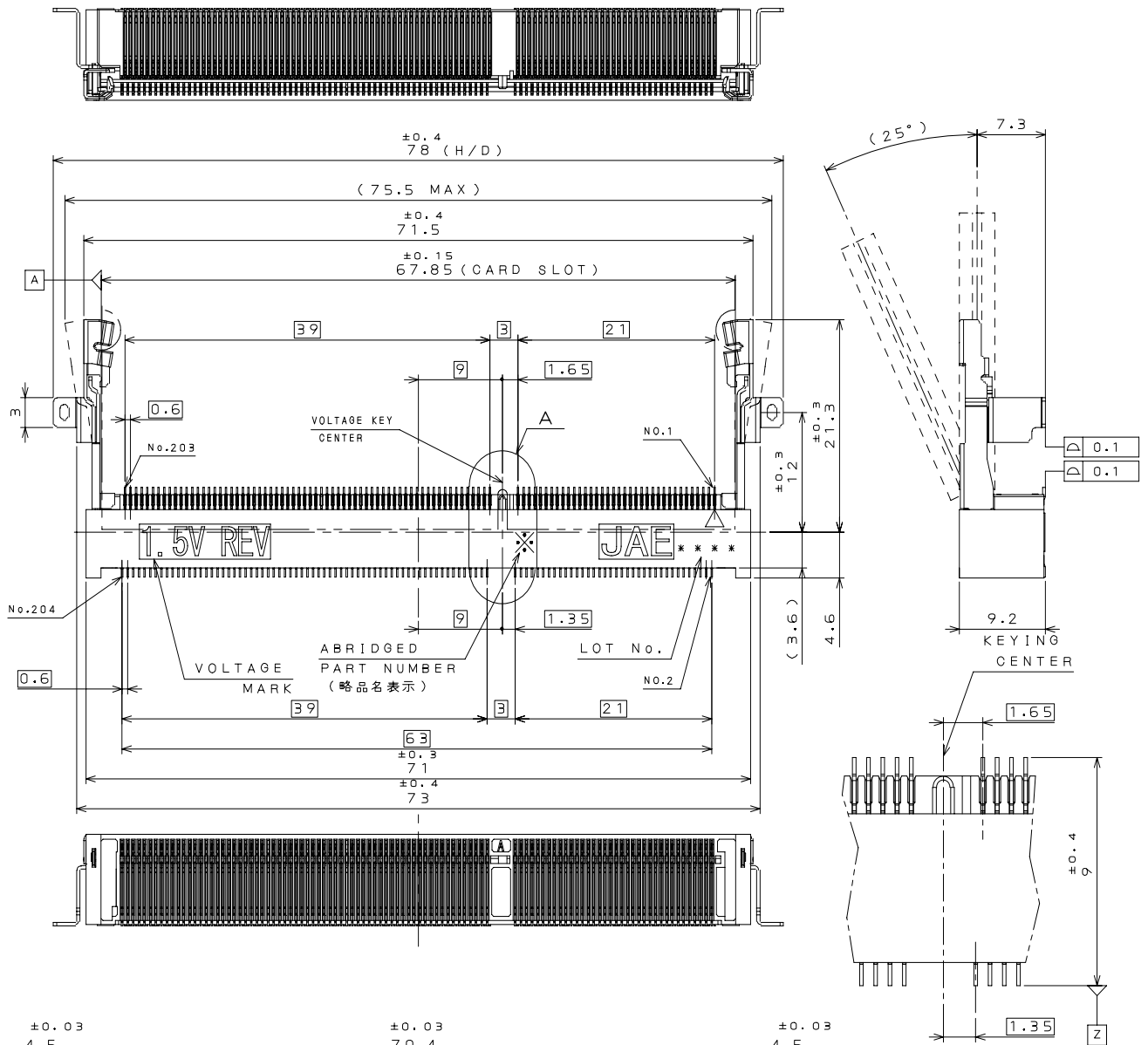


# MM80-204B1-E1



Applicable P.C.B. Dimensions (for Reference)

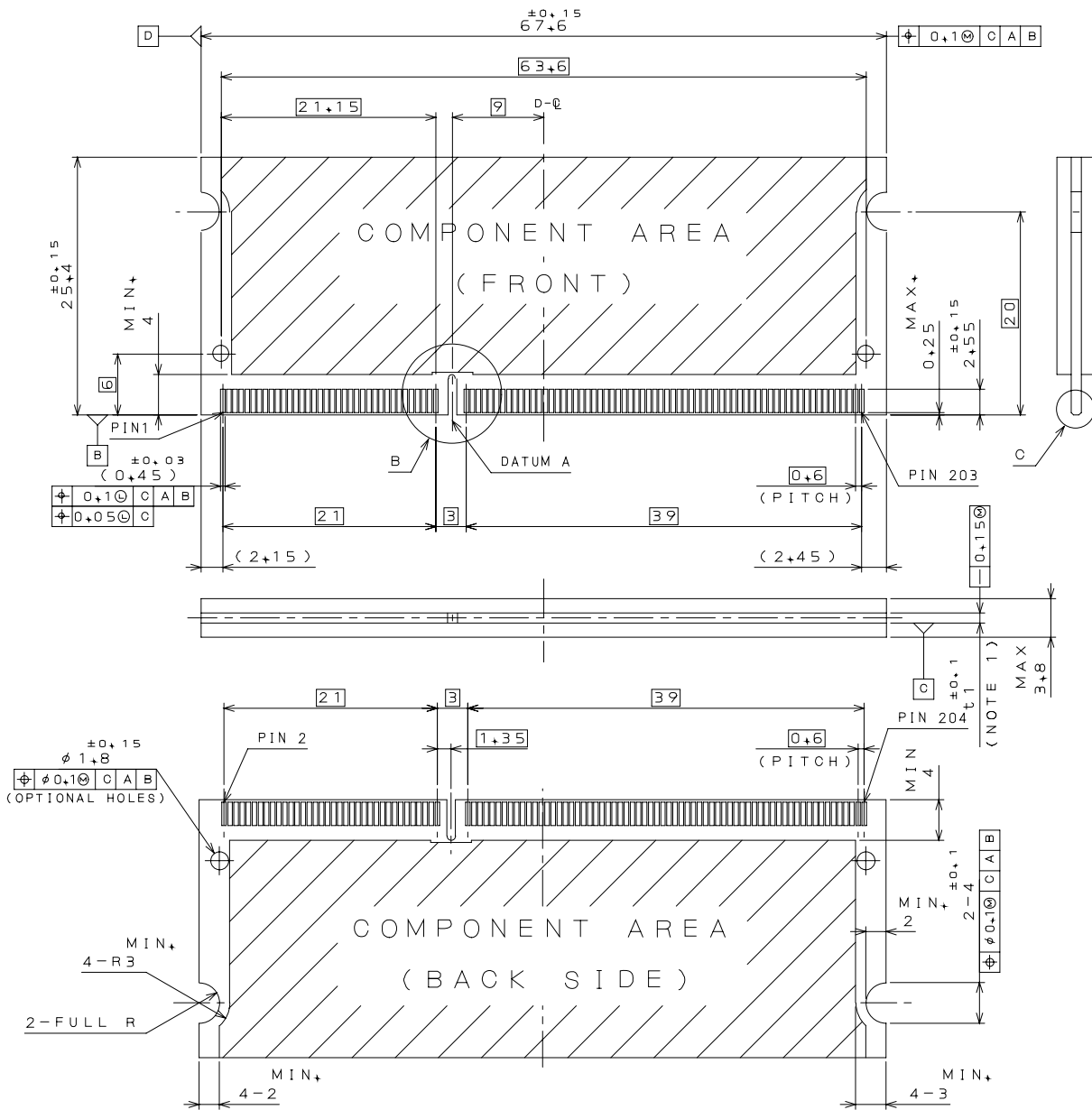
# MM80-204B1-E1R

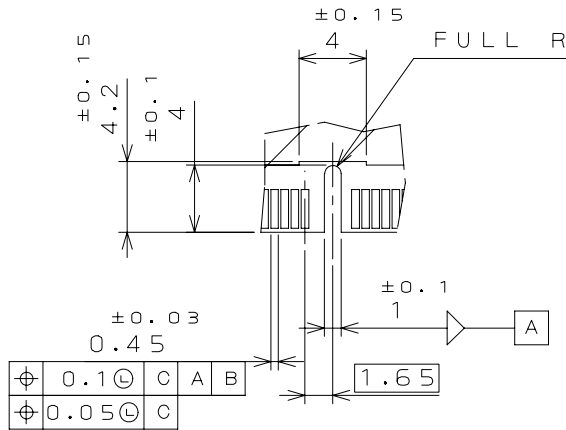


**Detail A**

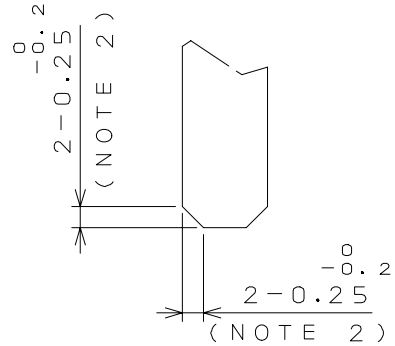
**Applicable P.C.B. Dimensions (for Reference)**

Applicable Dimensions of Module (For Reference)





DETAIL B



DETAIL C

**Japan Aviation Electronics Industry, Ltd.**

Product Marketing Division  
 Aobadai Building, 3-1-19, Aobadai, Meguro-ku, Tokyo 153-8539  
 Phone: +81-3-3780-2787 FAX: +81-3-3780-2946

**Notice:** Products shown in this brochure are made for the applications listed below. However, if the above-mentioned products are to be used in aerospace devices, marine cable-connection devices, atomic power control systems, medical equipment for life-support systems, or any other specific application requiring extremely high reliability, please contact JAE for further information.  
 Recommended applications: Computers, Office machines, Measuring devices, Telecommunication devices (Terminals, Mobile devices), AV devices, Household applications, FA devices, etc.



## X-ON Electronics

Largest Supplier of Electrical and Electronic Components

*Click to view similar products for [DIMM Connectors](#) category:*

*Click to view products by [JAE](#) manufacturer:*

Other Similar products are found below :

[1-1932649-2](#) [1-1761024-0](#) [2309411-5](#) [5390471-1](#) [2309413-3](#) [78507-0061](#) [KIT-SODIMM-1X16GB/01](#) [10129206-0010013LF](#) [10086891-052TSLF](#) [10079192-11102LF](#) [10116658-152FSLF](#) [10129206-0011113LF](#) [1-2308107-0](#) [2013310-1](#) [2013289-1](#) [390111-1](#) [390112-1](#) [2309413-1](#) [2309407-1](#) [2309414-1](#) [10081530-12208LF](#) [151080-0001](#) [78726-1004](#) [10005639-11107LF](#) [10005639-11109LF](#) [10005639-12207LF](#) [10023061-10207LF](#) [10033853-252FSLF](#) [10033853-052ASLF](#) [10033853-052FSLF](#) [10033853-152FSLF](#) [10033854-052FSLF](#) [10034542-10002LF](#) [10037402-12207LF](#) [10081530-11107LF](#) [10081530-12207LF](#) [10081530-12218LF](#) [10124632-0030001LF](#) [10124806-01006LF](#) [10145891-0320J13LF](#) [10145226-0241N13LF](#) [59354-052FSLF](#) [59355-052FSLF](#) [DDR4288S0211TF](#) [DDR4288S0511H](#) [DDR4288S0511TF](#) [DDR4288V0123TF](#) [DDR4288V0213TF](#) [DDR502112001K](#) [DDR504111002KQ](#)