

NEW



Compact Type Low-profiled Waterproof Connector

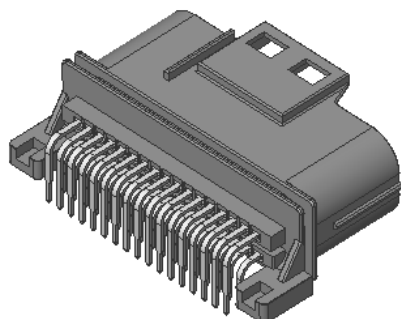
CONNECTOR

MB-0094-2

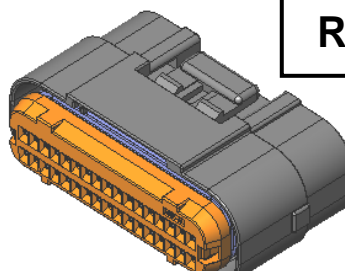
June 2006

MX23A Series

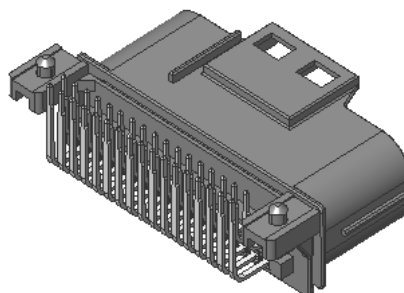
RoHS Compliant



Pin Connector
(Standard Type)



Socket Connector



Pin Connector
(Reverse Type)

MX23A connector can be used for wide range water proof equipment including automobiles, motorcycles and so on. This connector has high environmental capability with waterproof structure by sealing in its mating area and by grommet in its wire crimping area for full protection against water. Reverse type pin connector (with pins facing up) is also available in consideration of mounting space.

Features

- Low profiled type with board mounting height of 18.3mm and socket connector height of 22.2mm max.
- Double fin structure with high reliability is adopted for socket contact and large chamfer is prepared in the front-edge side to prevent grommet from damaging.
- Incomplete insertion of socket contact into its housing can be detected with the front cap mounting process.
- Full water proof grommet is used for socket contact crimping area in order to reduce size.
- Water protection seal ring is used in connector's mating area. It realizes full protection from hands touching on insulator wall.
- Reverse type pin connector (with pins facing up) is also available.

General Specifications

- No. of contacts: 12, 18, 26, 34 pos.
(Pin side 2types: Reverse and Standard
**excluding 12 pos.)
Contact resistance: 10m ohm max.
- Dielectric withstanding voltage:
AC 1000 Vr.m.s (1 minute)
- Operating temperature: -40 to +125 Deg. C
(Including temperature rise caused by power distribution)
- Current rating: 3A

- Insulation resistance: 100M ohm min.
- Life time: 50 times
- Applicable wire : Position of using wire is specified.

Cable type	AVSS, AVS(partially)
Conductive area	0.3 to 1.25mm ²
A.W.G No.	#22 to #16
Sheath diameter	1.6dia. to 2.2dia. mm

Materials and Finishes

■ Socket Connector

Components	Materials/Finishes
Socket housing	Glass filled PBT
Front cap	Glass filled PBT
Rear cover	Glass filled PBT
Grommet	Silicon rubber
Seal ring	Silicon rubber
Dummy pin	Glass filled PBT

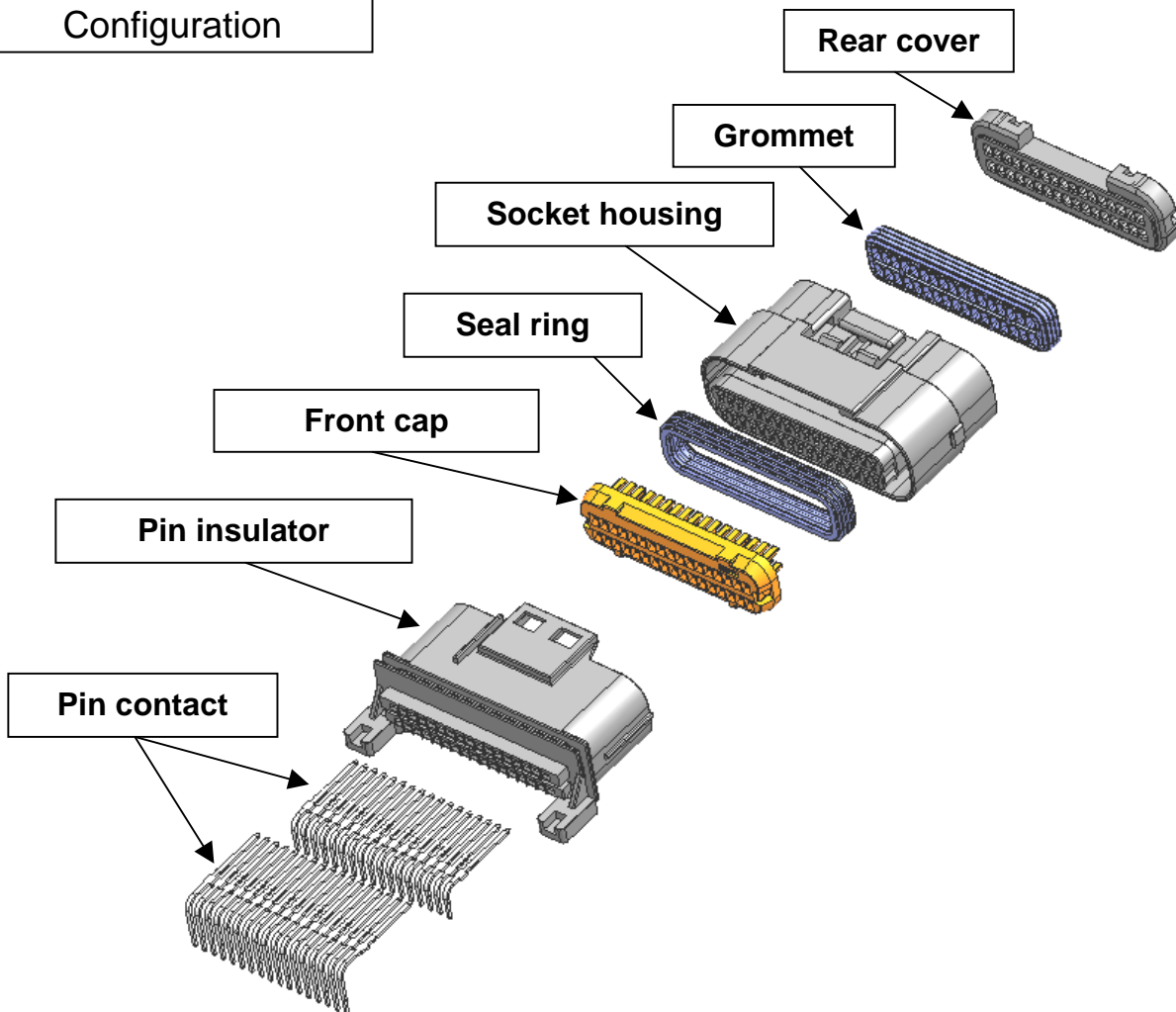
■ Pin Connector

Components	Materials/Finishes
Pin insulator	Glass filled PBT
Pin contact	Copper alloy/ Sn plating

■ Socket Contact

Components	Materials/Finishes
Socket Contact	Copper alloy/Sn plating

Configuration

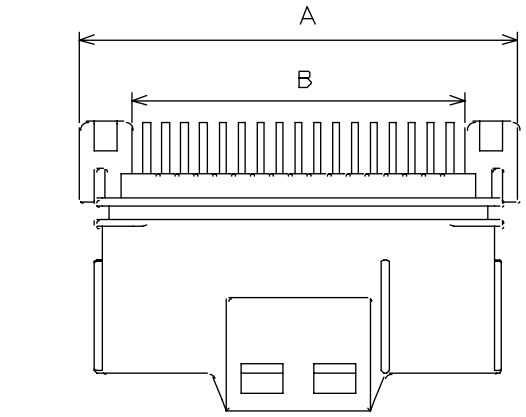


Crimp tool

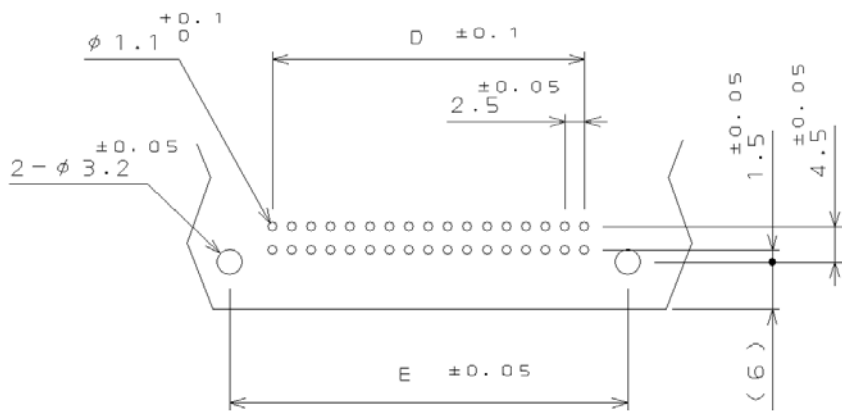
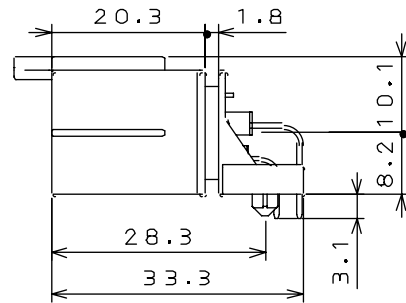
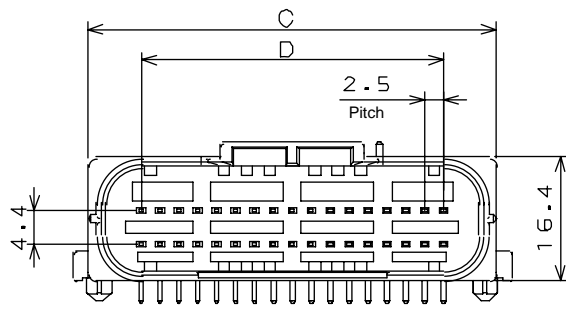
Hand crimping tool	Semi automatic applicator	Contact release jig
CT160-3B-MX23	350-MX23-2	ET-MX23

Outside Dimension

1. Pin connector (Standard)

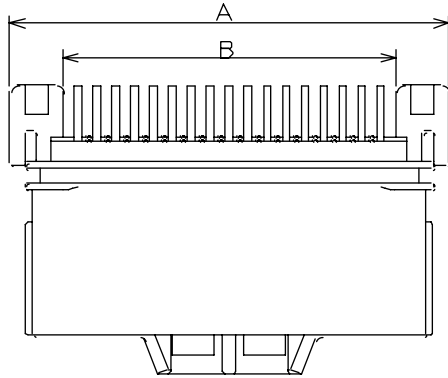


	A	B	C	D	E
12 pos.	30.5	16.5	26.5	12.5	23.5
18 pos.	38	24	34	20	31
26 pos.	48	34	44	30	41
34 pos.	58	44	54	40	51

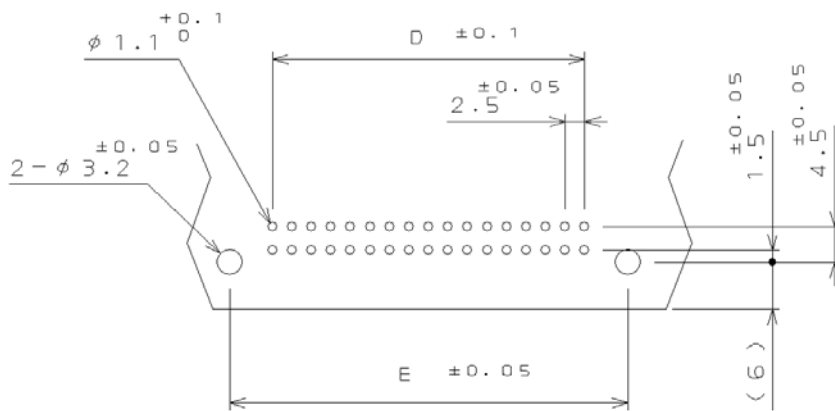
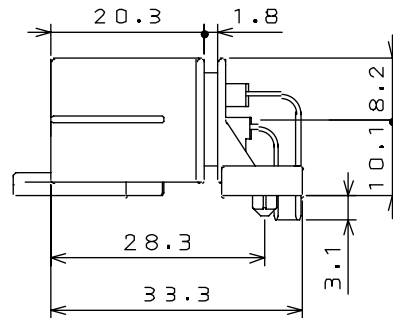
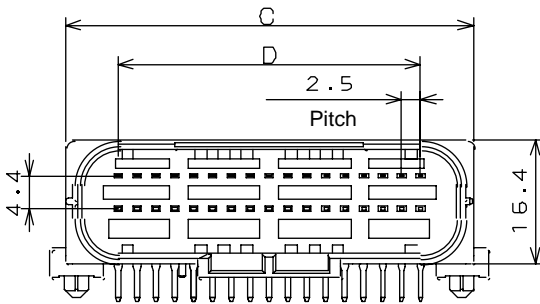


Recommended foot-pattern for PWB
(reference)

2. Pin connector (Reverse)

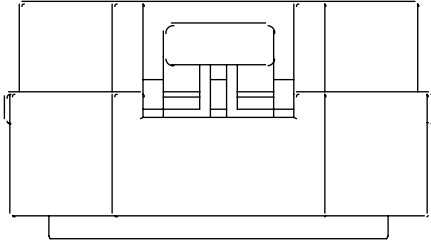


	A	B	C	D	E
18 pos.	38	24	34	20	31
26 pos.	48	34	44	30	41
34 pos.	58	44	54	40	51

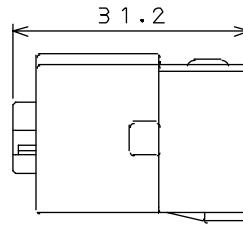
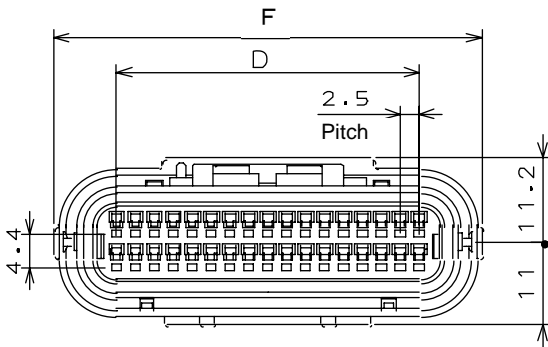


**Recommended foot-pattern for PWB
(reference)**

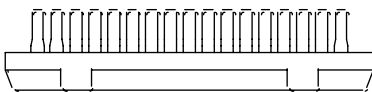
3. Socket housing



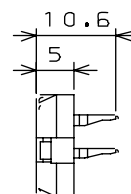
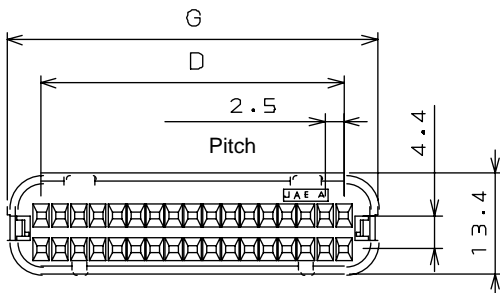
	D	F
12 pos.	12.5	29.1
18 pos.	20	36.6
26 pos.	30	46.6
34 pos.	40	56.6



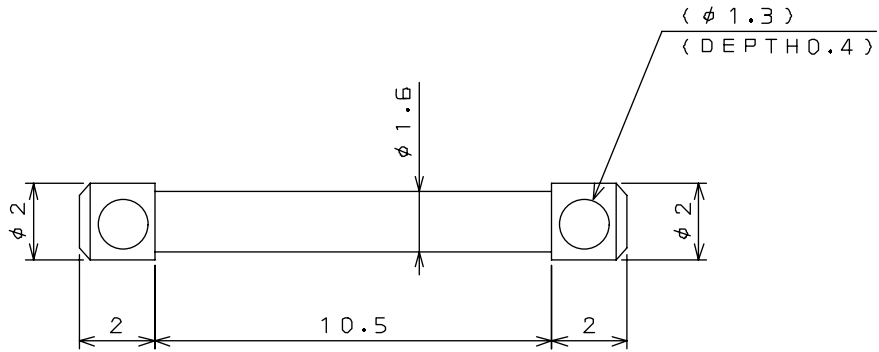
4. Front cap



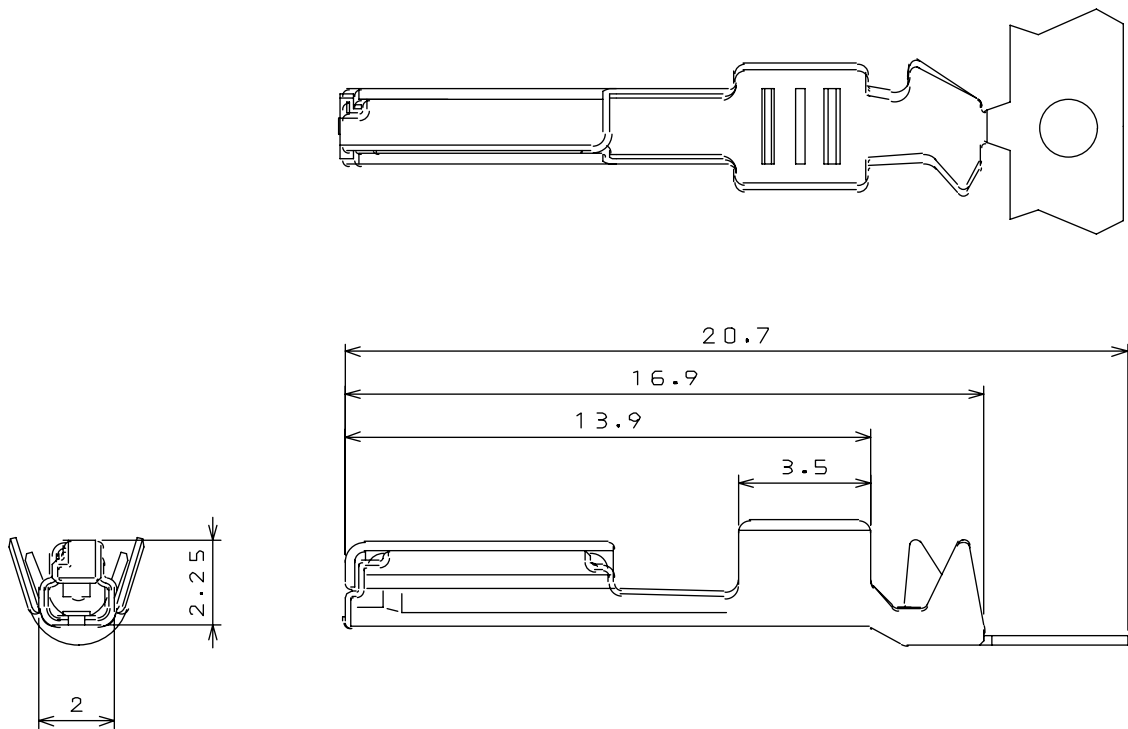
	D	G
12 pos.	12.5	21.7
18 pos.	20	28.9
26 pos.	30	38.9
34 pos.	40	48.9



5. Dummy pin (M120-55780)



6. Socket contact (M23S05K351)



Drawing Number

Part Number	Drawing No.	Note
MX23A12SF1	SJ100915	12pos. Socket Housing
MX23A12XF1	SJ100916	12pos. Front Cap
MX23A12NF1	SJ100917	12pos. Standard Pinheader
MX23A18SF1	SJ037397	18pos. Socket Housing
MX23A18XF1	SJ037398	18pos. Front Cap
MX23A18NF1	SJ037399	18pos. Standard Pinheader
MX23A18NF2	SJ037400	18pos. Reverse Pinheader
MX23A26SF1	SJ037393	26pos. Socket Housing
MX23A26XF1	SJ037394	26pos. Front Cap
MX23A26NF1	SJ037395	26pos. Standard Pinheader
MX23A26NF2	SJ037396	26pos. Reverse Pinheader
MX23A34SF1	SJ037389	34pos. Socket Housing
MX23A34XF1	SJ037390	34pos. Front Cap
MX23A34NF1	SJ037391	34pos. Standard Pinheader
MX23A34NF2	SJ037392	34pos. Reverse Pinheader
M23S05K351	SJ036377	Socket Contact
M120-55780	SJ036379	Dummy Pin

Product Specification ——— JACS-1728 Instruction Manual ——— — — J AHL- 1728

Japan Aviation Electronics Industry, Limited

Product Marketing Division
Aobadai Building, 3-1-19, Aobadai, Meguro-ku, Tokyo 153-8539
Phone: +81-3-3780-2787 FAX: +81-3-3780-2946

Notice: Products shown in this leaflet are made for the applications listed below. However, if the above-mentioned products are to be used in aerospace devices, marine cable-connection devices, atomic power control systems, medical equipment for life-support systems, or any other specific application requiring extremely high reliability, please contact JAE for further information.

Recommended applications: Computers, Office machines, Measuring devices, Telecommunication devices (Terminals, Mobile devices), AV devices, Household applications, FA devices, etc.

X-ON Electronics

Largest Supplier of Electrical and Electronic Components

Click to view similar products for [Automotive Connectors](#) category:

Click to view products by [JAE](#) manufacturer:

Other Similar products are found below :

[003-018-000](#) [60403001](#) [60993906-B](#) [M902-2131](#) [M902-2161](#) [72.330.1035.1](#) [73.353.4028.0](#) [F119300-B](#) [F166900](#) [F258300-B](#) [F358300-B](#)
[F407400](#) [F444110](#) [F487000](#) [F509500B-B](#) [827153-1](#) [8N1515-32-24P](#) [9-1326729-8](#) [925474-1](#) [928905-1](#) [964562-4](#) [968782-1](#) [GT17SA-8DS-](#)
[HU](#) [98891-1012](#) [98947-1016](#) [12004475-L](#) [12010290](#) [12010309-B](#) [12015454](#) [12020219-B](#) [12020308](#) [12041318-B](#) [12052225-L](#) [12052466](#)
[12059125](#) [12064869](#) [12004327-B](#) [12010503-B](#) [12015308](#) [12015384](#) [12015909](#) [1-21030-1](#) [12041254](#) [12041318](#) [12047946-B](#) [12047957](#)
[12047957-L](#) [12059473](#) [12066261](#) [12110546](#)