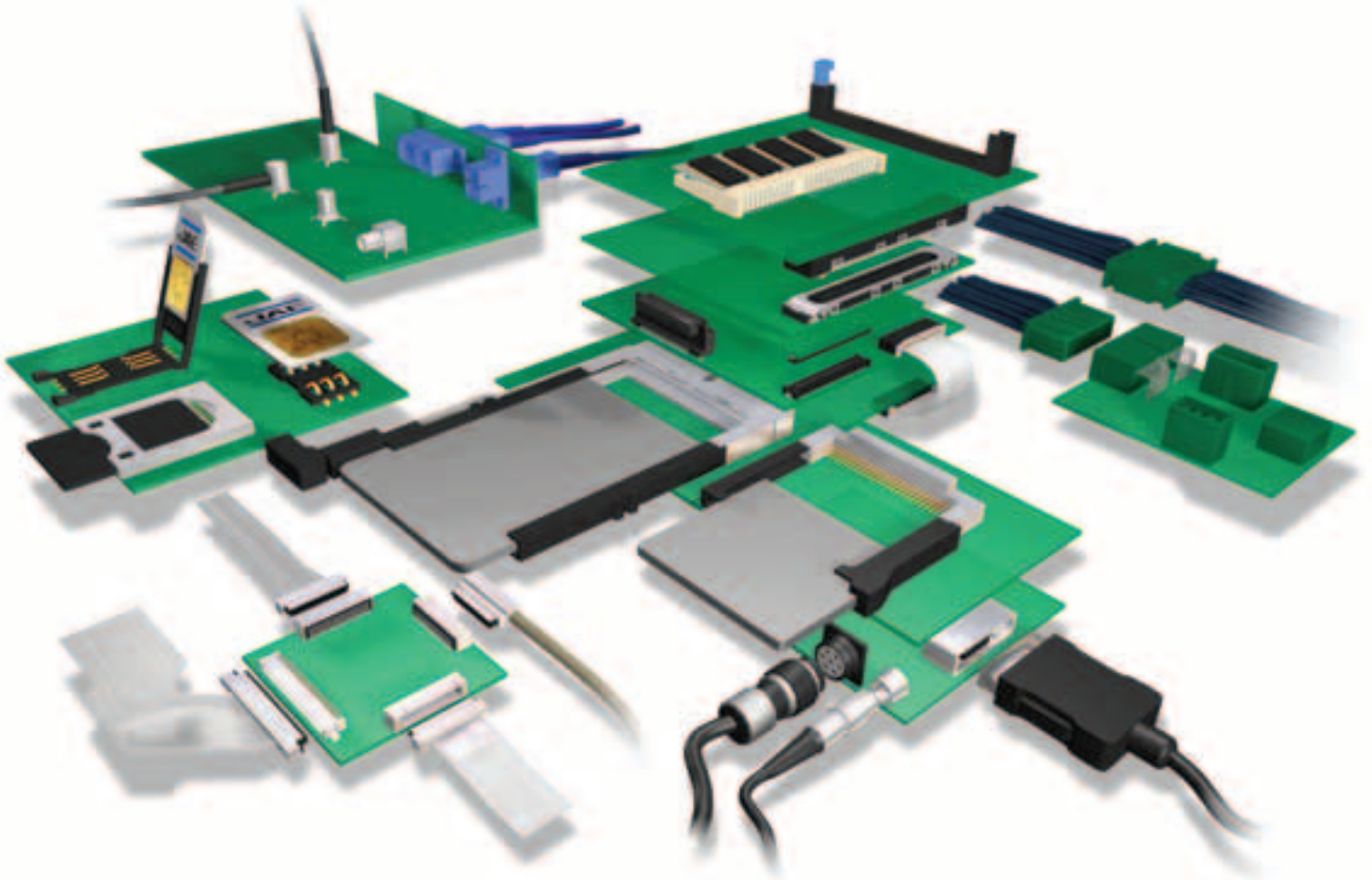


Technology to Inspire Innovation

Preferred Connector Products

JAE



JAE Electronics, Inc.

For Additional Information Visit www.jae-connector.com

Japan Aviation Electronics Industry, Ltd. (JAE) is an international manufacturer and supplier of electronic components and systems. For over four decades, JAE has provided the electronics industry with solutions to complex design requirements. Since its founding, the Company has strived to contribute to society through market-driven, technology-based global business operations under the philosophy: "Technology to Inspire Innovation."

With worldwide and world-class manufacturing certified to ISO 9001 and QS 9000, JAE has made the commitment to meet the global requirements of our customer. In addition to a network of state of the art manufacturing facilities, JAE has technical service offices located around the world, staffed with experts in connector design and application.

This catalog contains a select overview of JAE Connector Products. For in-depth information on our complete product line, and information on new developments, visit JAE's online catalog at www.jae-connector.com.

Innovative design, quality oriented manufacturing, commitment to our customers and sensitivity to the environment assures JAE's leadership position in the 21st century.

Table of Contents

| Product Series | Contact Spacing | Pages |
|--------------------------------|--------------------------------------|---------|
| SOCKETS/MEMORY PRODUCTS | | |
| PCMCIA | | |
| JC22..... | 1.27mm (.050")..... | 5 |
| COMPACT FLASH | | |
| JC26C2..... | 1.27mm (.050")..... | 6 - 7 |
| JC26E..... | 1.27mm (.050")..... | 8 |
| JC26F..... | 1.27mm (.050")..... | 9 |
| PCI EXPRESS MINI CARD | | |
| MM60..... | 0.8mm (.031")..... | 10 |
| EXPRESSCARD | | |
| PX10/11..... | 1.0mm (.039")..... | 11 - 12 |
| PX20/22..... | 1.0mm (.039") / 0.635mm (.025")..... | 13 - 14 |
| SMART/SIM CARD | | |
| SF2..... | 2.54mm (.100")..... | 15 |
| SF3..... | 2.54mm (.100")..... | 16 |
| SF6..... | 2.54mm (.100")..... | 17 |
| SF7..... | 2.54mm (.100")..... | 18 |
| SF7 (Slim)..... | 2.54mm (.100")..... | 19 |
| SF9..... | 2.54mm (.100")..... | 20 |
| SECURE DIGITAL CARD | | |
| SG5..... | 2.50mm (.098")..... | 21 |
| MINI SECURE DIGITAL CARD (SD) | | |
| ST4..... | 1.1mm (.043")..... | 22 |
| SC1..... | 2.50mm (.098")..... | 23 |
| MICRO SD/TRANSFLASH™ | | |
| ST1..... | 1.1mm (.043")..... | 24 |
| ST2..... | 1.1mm (.043")..... | 25 |

BOARD-TO-BOARD CONNECTOR PRODUCTS

| | | |
|----------------|---------------------|---------|
| BOARD-TO-BOARD | | |
| AA03..... | 0.40mm (.020")..... | 26 |
| WA6..... | 0.40mm (.020")..... | 27 |
| WH1..... | 0.40mm (.020")..... | 28 |
| AA01A..... | 0.50mm (.020")..... | 29 |
| IL-312..... | 0.50mm (.020")..... | 30 |
| WR..... | 0.50mm (.020")..... | 31 - 32 |
| WB3..... | 0.50mm (.020")..... | 33 |
| IL-WX..... | 0.80mm (.031")..... | 34 |
| KX14/15..... | 0.80mm (.031")..... | 35 - 36 |
| PM1..... | 0.80mm (.031")..... | 37 |
| WM1..... | 1.00mm (.039")..... | 38 |
| WM2..... | 1.00mm (.039")..... | 39 |
| TX24/TX25..... | 1.27mm (.050")..... | 40 |

Table of Contents

| Product Series | Contact Spacing | Pages |
|--|----------------------|---------|
| BOARD-TO-BOARD CONNECTOR PRODUCTS | | |
| WIRE-TO-BOARD | | |
| PCB-TO-FPC/FFC | | |
| FB3..... | 0.30mm (.012")..... | 41 |
| FB5..... | 0.30mm (.012")..... | 42 |
| FB6..... | 0.30mm (.012")..... | 43 |
| FF02..... | 0.30mm (.012")..... | 44 |
| FF02S..... | 0.30mm (.012")..... | 45 |
| FB8..... | 0.30mm (.012")..... | 46 |
| FA5..... | 0.50mm (.020")..... | 47 |
| FF03..... | 0.50mm (.020")..... | 48 |
| IL-FPR..... | 0.50mm (.020")..... | 49 |
| | | |
| PCB-TO-CABLE/FPC | | |
| FI-J..... | 0.40mm (.016")..... | 50 - 51 |
| FI-R..... | 0.50mm (.020")..... | 52 - 53 |
| FI-X..... | 1.00mm (.039")..... | 54 - 55 |
| FI..... | 1.25mm (.049")..... | 56 - 58 |
| | | |
| PCB-TO-CABLE | | |
| DX2/3..... | 0.80mm (.031")..... | 59 |
| FI-E..... | 1.00mm (.039")..... | 60 - 61 |
| CN10..... | | 62 - 63 |
| CV10..... | | 64 |
| IL-Z..... | 1.25mm (.049")..... | 65 - 66 |
| IL-S..... | 2.00mm (.079")..... | 67 - 68 |
| LY..... | 2.00mm (.079")..... | 69 |
| KD10/20..... | 2.00mm (.079")..... | 70 |
| IL-G..... | 2.50mm (.098")..... | 71 |
| | | |
| INPUT/OUTPUT CONNECTOR PRODUCTS | | |
| PCB-TO-CABLE | | |
| DD1..... | 0.50mm (.020")..... | 72 - 73 |
| DD2..... | 0.50mm (.020")..... | 74 - 75 |
| DG1..... | 0.50mm (.020")..... | 76 |
| RA1..... | 0.50mm (.020")..... | 77 |
| RC1..... | 0.50mm (.020")..... | 78 |
| DA1..... | 0.60mm (.024")..... | 79 |
| DE1..... | 1.27mm (.050")..... | 80 |
| TX20A..... | 1.27mm (.050")..... | 81 |
| DV2..... | 1.905mm (.075")..... | 82 - 84 |
| | | |
| CIRCULAR | | |
| JN1..... | | 85 - 86 |
| JN2..... | | 87 - 88 |
| JB5..... | | 89 |

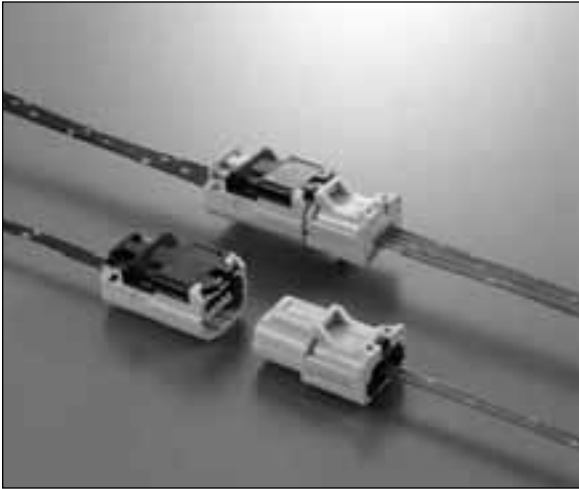
Table of Contents

| <i>Product Series</i> | <i>Contact Spacing</i> | <i>Pages</i> |
|--|------------------------|--------------|
| INPUT/OUTPUT CONNECTOR PRODUCTS | | |
| CIRCULAR | | |
| JL04V | | 90 - 91 |
| JL05 | | 92 - 93 |
| JB1 | | 94 - 95 |
| SRCN | | 96 - 97 |
| N/MS | | 98 - 99 |
| FIBER OPTIC PRODUCTS | | |
| FO-FC | | 100 |
| FO-EX | | 101 |
| AUTOMOTIVE CONNECTOR PRODUCTS | | |
| PCB-TO-CABLE | | |
| MX34 | 1.1mm (.043") | 102 |
| MX7 | 2.30mm (.091") | 103 |
| IL-AG7 | 2.50mm (.098") | 104 |
| MX17 | 2.50mm (.098") | 105 - 106 |
| MX23A | 2.50mm (.098") | 107 - 108 |
| MX10 | 2.50mm (.098") | 109 |
| MX5 | 3.00mm (.118") | 110 |
| PCB-TO-CABLE/CABLE-TO-CABLE | | |
| IL-AG5 | 2.50mm (.098") | 111 |
| IL-AG6 | 2.50mm (.098") | 112 |
| MX9 | 3.50mm (.138") | 113 |
| MX25 | 6.7mm (2.64") | 114 |
| MX36 | 2.50mm (.098") | 115 |
| CABLE-TO-CABLE | | |
| IL-AG9 | 2.50mm (.098") | 116 - 118 |
| MX19 | 2.50mm (.098") | 119 |

- All JAE connector products shown in this catalog are lead free.
- We reserve the right to modify designs in order to improve quality, keep pace with technological advancements or meet particular requirements in production.
- Products shown in this catalog are made for the applications specified. However, if the above-mentioned products are to be used in aerospace devices, marine cable-connection devices, atomic power control systems, medical equipment for life-support systems, or any other specific application requiring extremely high reliability, please contact JAE for further information. Recommended Applications: Computers, Office Machines, Measuring Devices, Telecommunications Devices (Terminals, Mobile Devices) AV Devices, Household Applications, FA Devices, etc.
- Refer to end of catalog for alphabetical index of products.

MX36 SERIES CONNECTORS

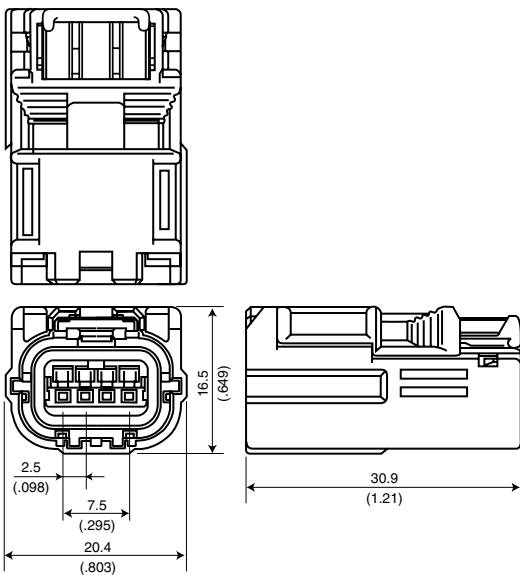
2.50mm (.098") Contact Spacing, Complete Waterproof Mating Relay Connector for Air Bags



FEATURES

- A highly reliable waterproof compact connector designed specifically for automotive airbags
- If connector is not locked by a complete mating, contacts are separated by the repulsion of the coil spring
- Waterproofing accomplished by the rubber sealing ring of the connector mating portion and the grommet rubber on wire
- Mating is verified by a clear "click feeling" of the mechanical lock
- Short contacts built into the pin connector prevent malfunction due to static electricity
- The preset retainer detects incomplete mating

Connector Profile (Ref.)



Dimensions in mm (inches).



The MX36 Series waterproof compact inline relay connector was developed for use with automotive airbags. It features a structure that separates the connection of the contacts with the repulsion of the air spring when the connectors are not completely mated (mechanical perfect mating design). Waterproofing performance is accomplished with the rubber sealing ring of the mating portion and the grommet rubber on the wire.

GENERAL SPECIFICATIONS

| | |
|---------------------------------|--|
| Number of Contacts | 2, 4 pos. |
| Contact Spacing | 2.50mm (.098") |
| Contact Resistance | 5 milliohm max. |
| Dielectric Withstanding Voltage | 1000VAC r.m.s. for one minute |
| Operating Temperature | -40°C to +105°C |
| Insulation Resistance | 100 megohm min. |
| Applicable Wire | AVSS0.5 AVSSC0.5f AVSSX0.5f TVSSX0.5f |

MATERIALS AND FINISHES

| Products | Components | Materials/Finishes |
|------------------|----------------|--|
| Socket Connector | Socket Housing | 30% GF PBT (Yellow) |
| | Slider | 30% GF PBT (Black) |
| | Rear Cover | 30% GF PBT (2 pos.: Black, 4 pos.: Yellow) |
| | Coil Spring | Stainless Steel |
| | Seal Ring | Silicon Rubber (Green) |
| | Grommet | Silicon Rubber (Green) |
| Front Cap | Front Cap | 30% GF PBT (Black) |
| Pin Connector | Pin Housing | 30% GF PBT (Yellow) |
| | Front Retainer | 30% GF PBT (Black) |
| | Rear Cover | 30% GF PBT (2 pos.: Black, 4 pos.: Yellow) |
| | Short Contact | Copper Alloy/ Partially Gold Plating |
| Contact | Grommet | Silicon Rubber (Green) |
| | Socket Contact | High Conductive Material/ Partially Gold Plating |
| | Pin Contact | High Conductive Material/ Partially Gold Plating |

Consult JAE for "Ordering Information".

Technology to Inspire Innovation

JAE

***“Building Technologies
to Connect Your World”***



Japan Aviation Electronics Industry, Limited

1-19, Aobadai 3-chome, Meguro-ku
Tokyo 153-8539, Japan
Telephone: 03-3780-2736
Fax: 03-3780-2883

JAE Electronics, Inc.

142 Technology Drive, Suite 100
Irvine, California 92618-2430, U.S.A.
Telephone: 949-753-2600
Fax: 949-753-2699
800-523-7278 Toll free in the U.S.A.

JAE Europe

Coliseum Business Centre
Riverside Way, Camberley
Surrey, GU15 3YL, England
Telephone: 44-1276-404000
Fax: 44-1276-404010

JAE Taiwan, Ltd.

4F-1, No. 88, Chung Hsiao E. Rd.
Sec. 2, Taipei, Taiwan, R.O.C.
Telephone: 886-2-2396-7676
Fax: 886-2-2392-5929

JAE Hong Kong, Ltd.

Suites 1407-11, 14/F, Tower 2, The Gateway,
25 Canton Road, Tsimshatsui, Kowloon, Hong Kong
Telephone: 852-2723-7782
Fax: 852-2723-9028

JAE Korea, Inc.

1602, Korea City Air Tower
159-9 Samsung-Dong, Kangnam-ku
Seoul, 135-973, Korea
Telephone: 82-2-551-8959
Fax: 82-2-551-8958

JAE Philippines, Inc.

PEZA Zone, Gateway Business Park, Javalera
General Trias, 4107 Cavite, Philippines
Telephone: 63-46-433-0285
Fax: 63-46-433-0287

JAE Singapore Pte., Ltd.

33 Tannery Lane, #02-01 Hoesteel
Industrial Building
Singapore 347789
Telephone: 65-6748-1332
Fax: 65-6748-2920

JAE Shanghai Co., Ltd.

RM 1407, Shanghai Mart 2299 Yanan Rd.
West Shanghai 200336 P.R.C.
Telephone: 86-21-6236-0322
Fax: 86-21-6236-1292

X-ON Electronics

Largest Supplier of Electrical and Electronic Components

Click to view similar products for [Automotive Connectors](#) category:

Click to view products by [JAE](#) manufacturer:

Other Similar products are found below :

[003-018-000](#) [60403001](#) [60993906-B](#) [M902-2131](#) [M902-2161](#) [72.330.1035.1](#) [73.353.4028.0](#) [F119300-B](#) [F166900](#) [F258300-B](#) [F358300-B](#)
[F407400](#) [F444110](#) [F487000](#) [F509500B-B](#) [827153-1](#) [8N1515-32-24P](#) [9-1326729-8](#) [925474-1](#) [928905-1](#) [964562-4](#) [968782-1](#) [GT17SA-8DS-](#)
[HU](#) [98891-1012](#) [98947-1016](#) [12004475-L](#) [12010290](#) [12010309-B](#) [12015454](#) [12020219-B](#) [12020308](#) [12041318-B](#) [12052225-L](#) [12052466](#)
[12059125](#) [12064869](#) [12004327-B](#) [12010503-B](#) [12015308](#) [12015384](#) [12015909](#) [1-21030-1](#) [12041254](#) [12041318](#) [12047946-B](#) [12047957](#)
[12047957-L](#) [12059473](#) [12066261](#) [12110546](#)