

NEW



Compact Angle SMT Type Connector for Automotive

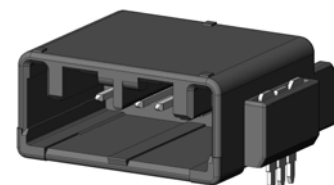
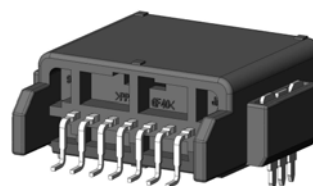
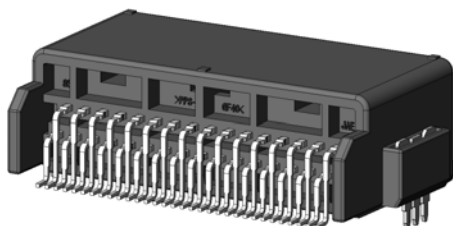
CONNECTOR

MX34R Series

MB-0240-1

November 2011

RoHS Compliant



Recently, the demand for SMT (Surface Mount Technology) type automotive connectors has been increasing. To meet this demand, an angle SMT connector version has been developed to add to the existing straight SMT connector version of the MX34 Series.

The MX34R Series is available in a variety of pin counts for both single and double row configurations to best meet the market needs. In addition, heat resistant PPS is used to accommodate reflow mounting temperatures, and “leg” hold-downs are featured for board retention, which saves mounting space.

Features

- Board mounting layout: single type has 1 row of 2.2mm pitch on board; double type has 1 row of 1.1mm pitch on board.
- Board retention strength is enhanced by space-saving metal “leg” hold-downs. Maintains high resistance strength against twisting after soldering.
- Mates with existing MX34 Series socket connector.
- Compatible with solder reflow mounting due to the heat resistant resin PPS.
- Vacuum surface on the connector enables automated mounting.

General Specifications

- | | |
|---|---|
| <ul style="list-style-type: none"> ■No. of Contacts:
single (3, 4, 5 pos.)
double (8, 12, 16, 20, 24, 32, 36 pos.) ■Contact Resistance:
5mΩ max. (initial)
10mΩ max. (after test) ■Rated Current: 3A | <ul style="list-style-type: none"> ■Insulation Resistance: 100MΩ min. ■Mating Durability: 50 times ■Dielectric Withstanding Voltage:
AC 1,000Vr.m.s per minute ■Operating Temperature:
-40 Deg. C to +85 Deg. C |
|---|---|

Pin Header Materials and Finishes

Component	Material / Finish
Housing	PPS GF 40%
Pin Terminal	Copper Alloy/ Sn plating over Ni
Leg	Brass / Sn plating over Ni

Part Number / SJ Drawing

No. of Contacts	Pin Header	Drawing	Mating Socket	Drawing
3	MX34R03HF4T	SJ110327	MX34003SF1	SJ100823
5	MX34R05HF4T	SJ110328	MX34005SF1	SJ100825
7	MX34R07HF4T	SJ110662	MX34007SF1	SJ104416
8	MX34R08HF4T	SJ110338	MX34008SF4	SJ109127
12	MX34R12HF4T	SJ110663	MX34012SF1	SJ100717
16	MX34R16HF4T	SJ110664	MX34016SF1	SJ038754
20	MX34R20HF4T	SJ110665	MX34020SF1	SJ038752
24	MX34R24HF4T	SJ110666	MX34024SF1	SJ100271
32	MX34R32HF4T	SJ110668	MX34032SF1	SJ038756
36	MX34R36HF4T	SJ110669	MX34036SF1	SJ100270

*** Mating Socket Contacts (for reference)**

Contact P / N	Applicable Wire	SJ Drawing
M34S75C4F1	AVSS0.3mm ² , CHFUS0.22mm ² ~0.35mm ²	SJ038527
M34S75C4F2	AVSS0.5mm ² , CHFUS0.5mm ² ~0.75mm ²	SJ038528
M34S75C4F3	CAN SD 0.35mm ² (Note 1)	SJ038747
M34S75C4F4	AVSS 0.85mm ² (Note 1)	SJ038893
M34S75C4F5	CHFUS 0.13mm ²	SJ109336

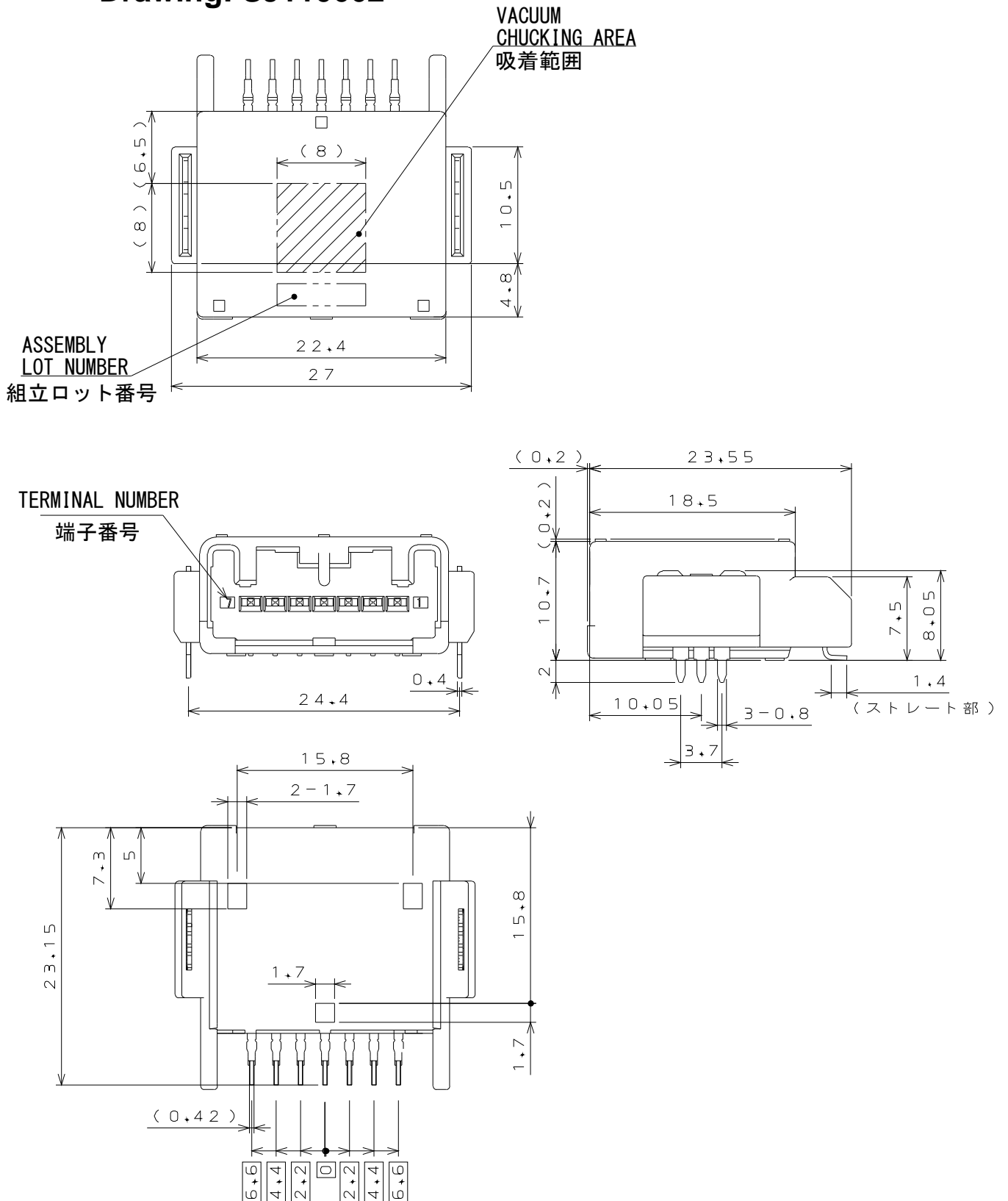
Note 1) M34S75C4F3 and F4 can only be inserted in double-row connector housings, at 4 places total.

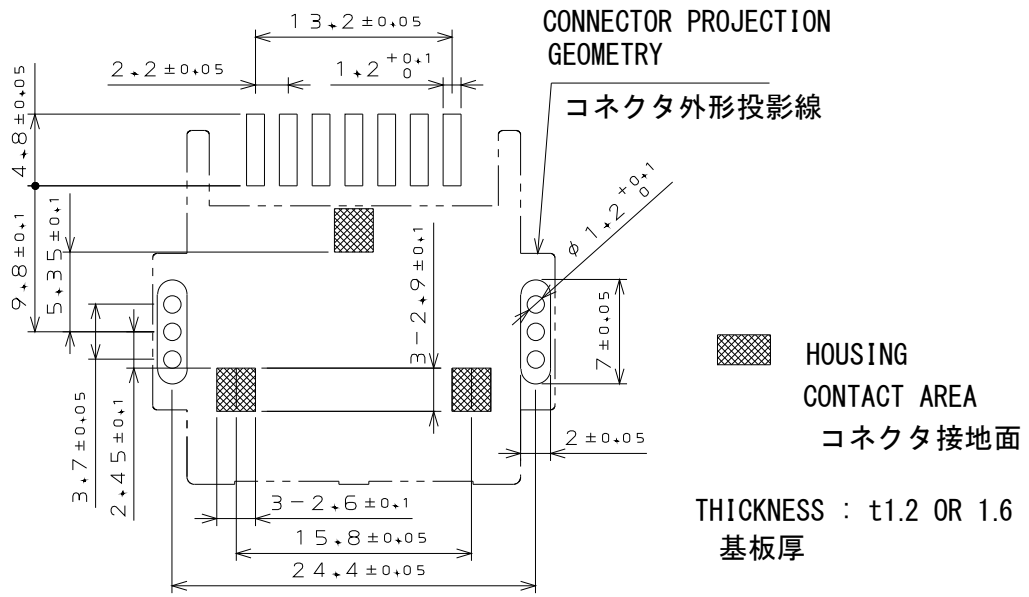
Product Drawing

■ Angle Pin Header (Single)

Part Number: MX34R07HF4T

Drawing: SJ110662



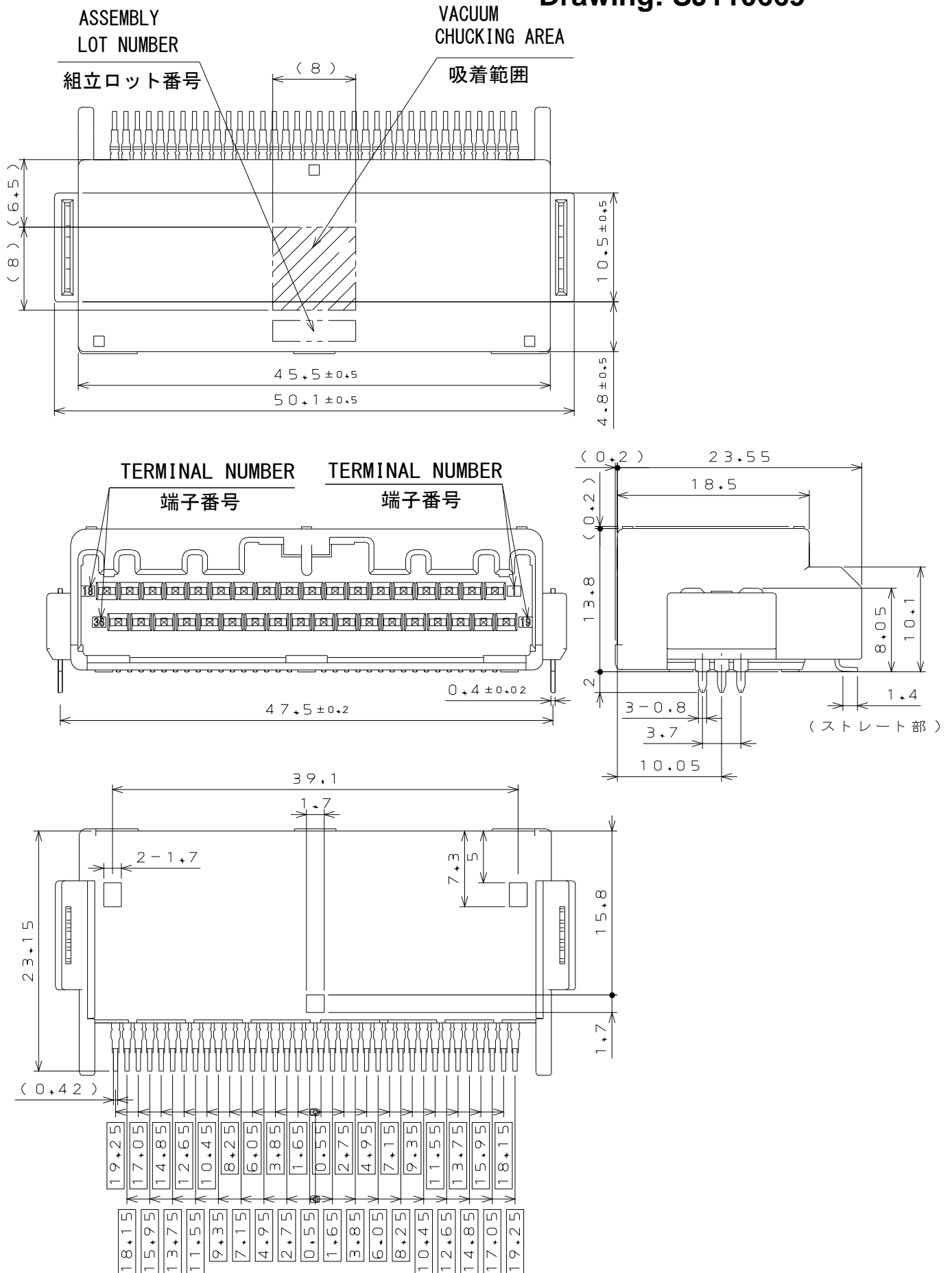


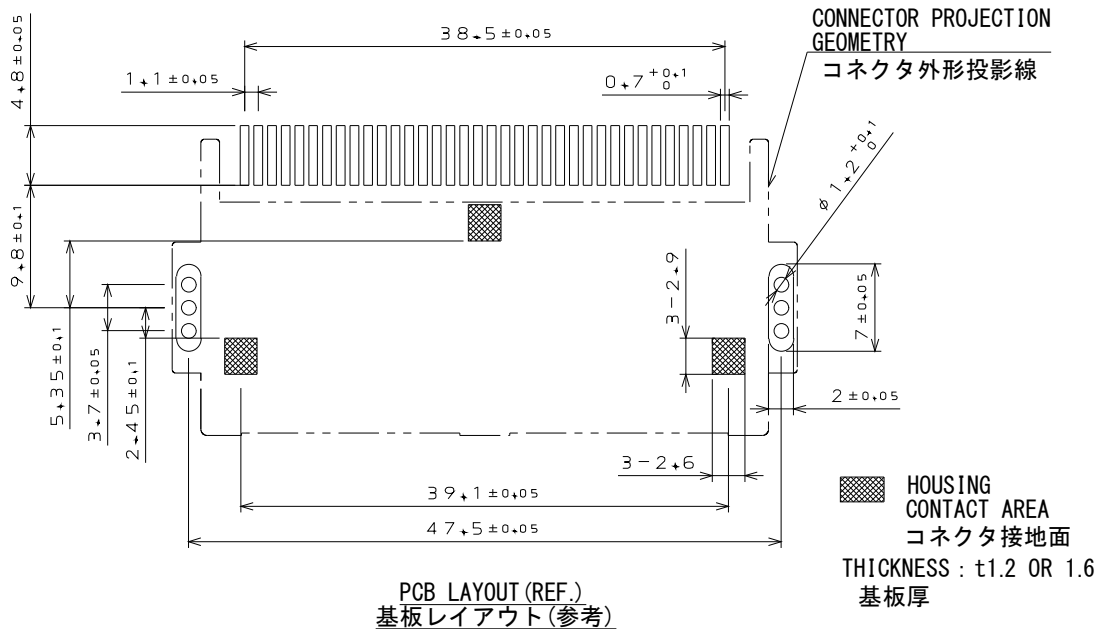
PCB LAYOUT (REF.)
基板レイアウト(参考)

■ Angle Pin Header (Double)

Part Number: MX34R36HF4T

Drawing: SJ110669





Specifications

JACS-1754-10

Handling Instructions

J AHL-1754

Notice: Products shown in this brochure are made for the applications listed below. However, if the above-mentioned products are to be used in aerospace devices, marine cable-connection devices, atomic power control systems, medical equipment for life-support systems, or any other specific application requiring extremely high reliability, please contact JAE for further information.
Recommended applications: Computers, Office machines, Measuring devices, Telecommunication devices (Terminals, Mobile devices), AV devices, Household applications, FA devices, etc.

Japan Aviation Electronics Industry, Limited
Product Marketing Division
Aobadai Building, 3-1-19, Aobadai, Meguro-ku, Tokyo 153-8539
Phone: +81-3-3780-2787 FAX: +81-3-3780-2946

* The specifications in this brochure are subject to change without notice. Please contact JAE for information.

X-ON Electronics

Largest Supplier of Electrical and Electronic Components

Click to view similar products for [Automotive Connectors](#) category:

Click to view products by [JAE](#) manufacturer:

Other Similar products are found below :

[003-018-000](#) [60403001](#) [60993906-B](#) [M902-2131](#) [M902-2161](#) [72.330.1035.1](#) [73.353.4028.0](#) [F119300-B](#) [F166900](#) [F258300-B](#) [F358300-B](#)
[F407400](#) [F444110](#) [F487000](#) [F509500B-B](#) [827153-1](#) [8N1515-32-24P](#) [9-1326729-8](#) [925474-1](#) [928905-1](#) [964562-4](#) [968782-1](#) [GT17SA-8DS-](#)
[HU](#) [98891-1012](#) [98947-1016](#) [12004475-L](#) [12010290](#) [12010309-B](#) [12015454](#) [12020219-B](#) [12020308](#) [12041318-B](#) [12052225-L](#) [12052466](#)
[12059125](#) [12064869](#) [12004327-B](#) [12010503-B](#) [12015308](#) [12015384](#) [12015909](#) [1-21030-1](#) [12041254](#) [12041318](#) [12047946-B](#) [12047957](#)
[12047957-L](#) [12059473](#) [12066261](#) [12110546](#)