

NEW



Waterproof Complete Mating Relay Connector for Airbags

CONNECTOR

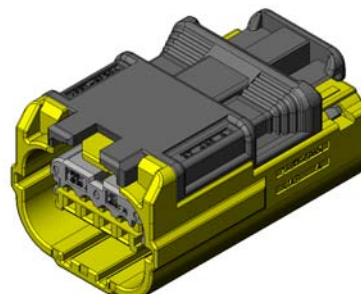
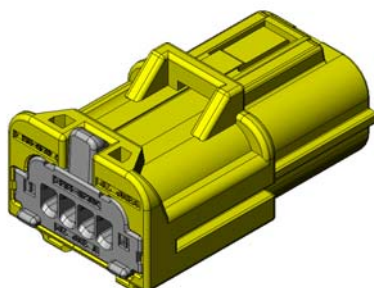
MB-0158-1

September 2006

MX36 Series

RoHS Compliant

Pin connector



Socket connector

This waterproof compact relay (inline) connector was developed for automotive air bags. It has a structure which separates the connection of the contacts with the repulsion of the coil spring when the connectors are not mated completely (mechanical perfect mating design). This connector has accomplished waterproof performance by the seal ring rubber of the mating portion and grommet rubber on wire.

Features

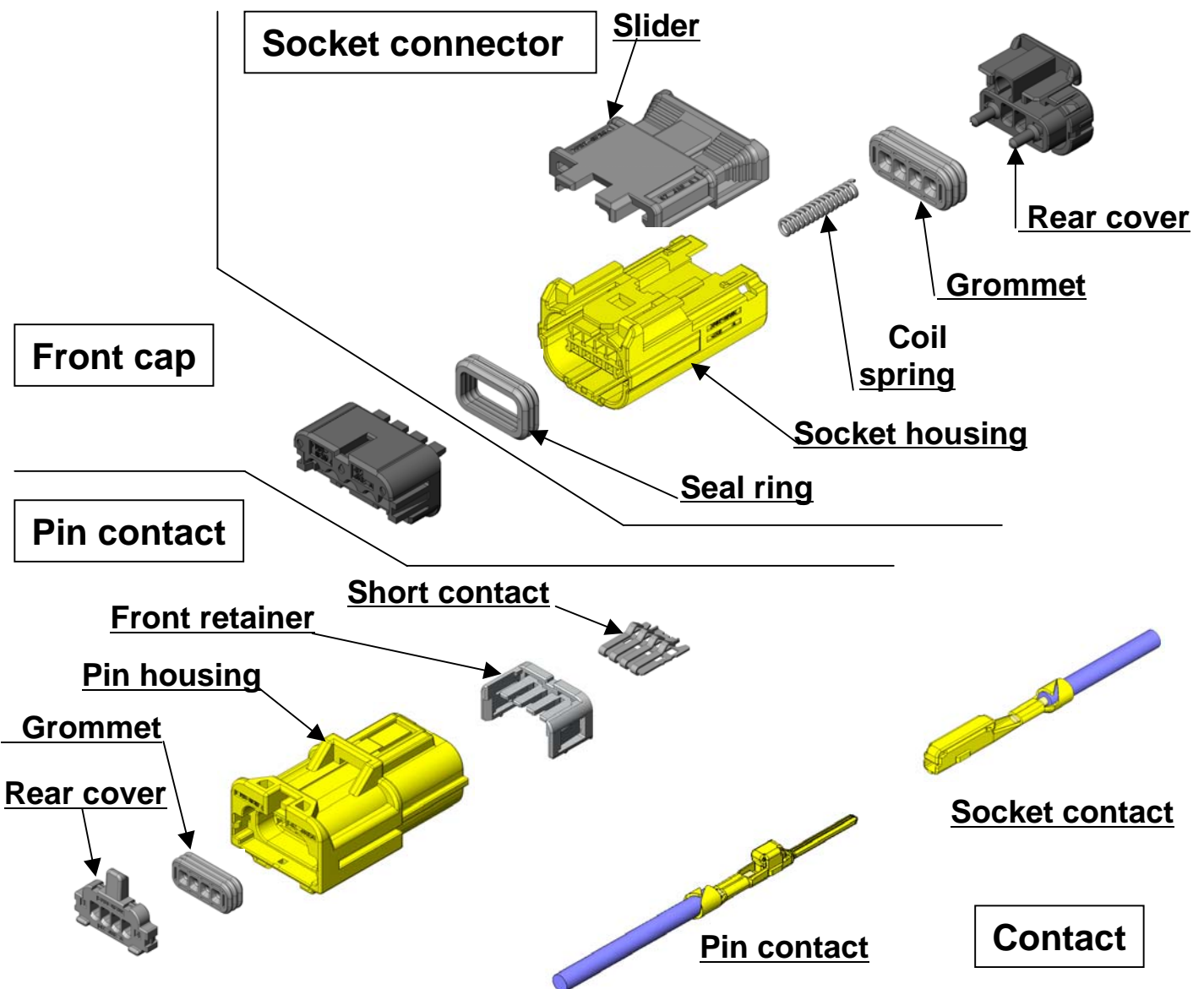
- A highly reliable waterproof compact connector developed for automotive airbags.
- The connection of the contacts will be separated by the repulsion of the coil spring, if the connectors are not locked by a complete mating.
- Made waterproof by the seal ring rubber of the mating portion and grommet rubber on wire.
- Mating can be recognized by a clear click feeling by the mechanical lock.
- Malfunction due to static electricity will be prevented by the short contacts built-in the pin connector.
- The preset retainer detects incomplete mating.

General Specifications

- | | |
|--|---------------------------|
| •No. of contacts: 2, 4 pos. | •Applicable wire: AVSS0.5 |
| •Contact resistance: 5m ohm max. (initial) | AVSSC0.5f |
| •Dielectric withstanding voltage: | AVSSX0.5f |
| AC 1000 V (per minute) | TVSSX0.5f |
| •Operating temperature: -40 to+105 Deg. C | |
| •Insulation resistance: 100M ohm min. | |
| •Waterproof: 98kPa min. (initial) | |

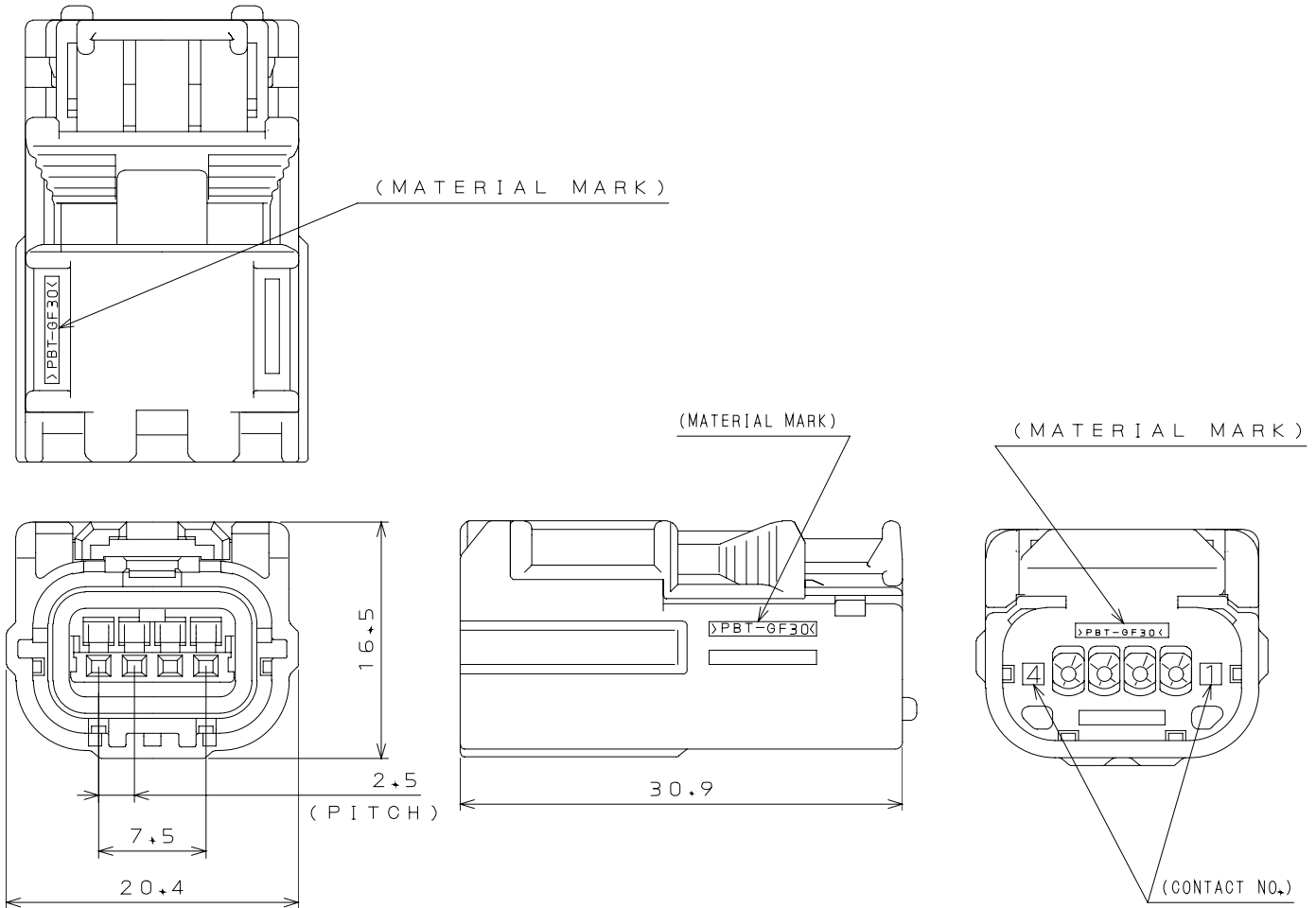
Materials and Finishes

Products	Componets	Materials	Finishes/ Colors
Socket connector	Socket housing	30% GF PBT	Yellow
	Slider	30% GF PBT	Black
	Rear cover	30% GF PBT	2pos.: Black, 4pos.: Yellow
	Coil spring	Stainless steel	-
	Seal ring	Silicon rubber	Green
	Grommet	Silicon rubber	Green
Front cap	Front cap	30% GF PBT	Black
Pin connector	Pin housing	30% GF PBT	Yellow
	Front retainer	30% GF PBT	Black
	Rear cover	30% GF PBT	2pos.: Black, 4pos.: Yellow
	Short contact	Copper alloy	Partially Au plating
	Grommet	Silicon rubber	Green
Contact	Socket contact	High conductive material	Partially Au plating
	Pin contact	High conductive material	Partially Au plating



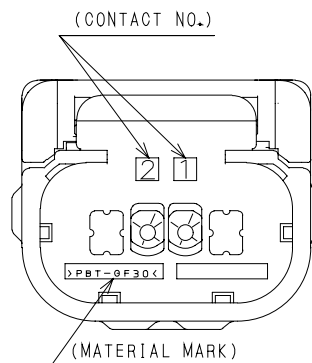
Outer Dimensions

(1) Socket Connector (MX36004SQ3) (4pos.)
(SJ Drawing SJ101633)



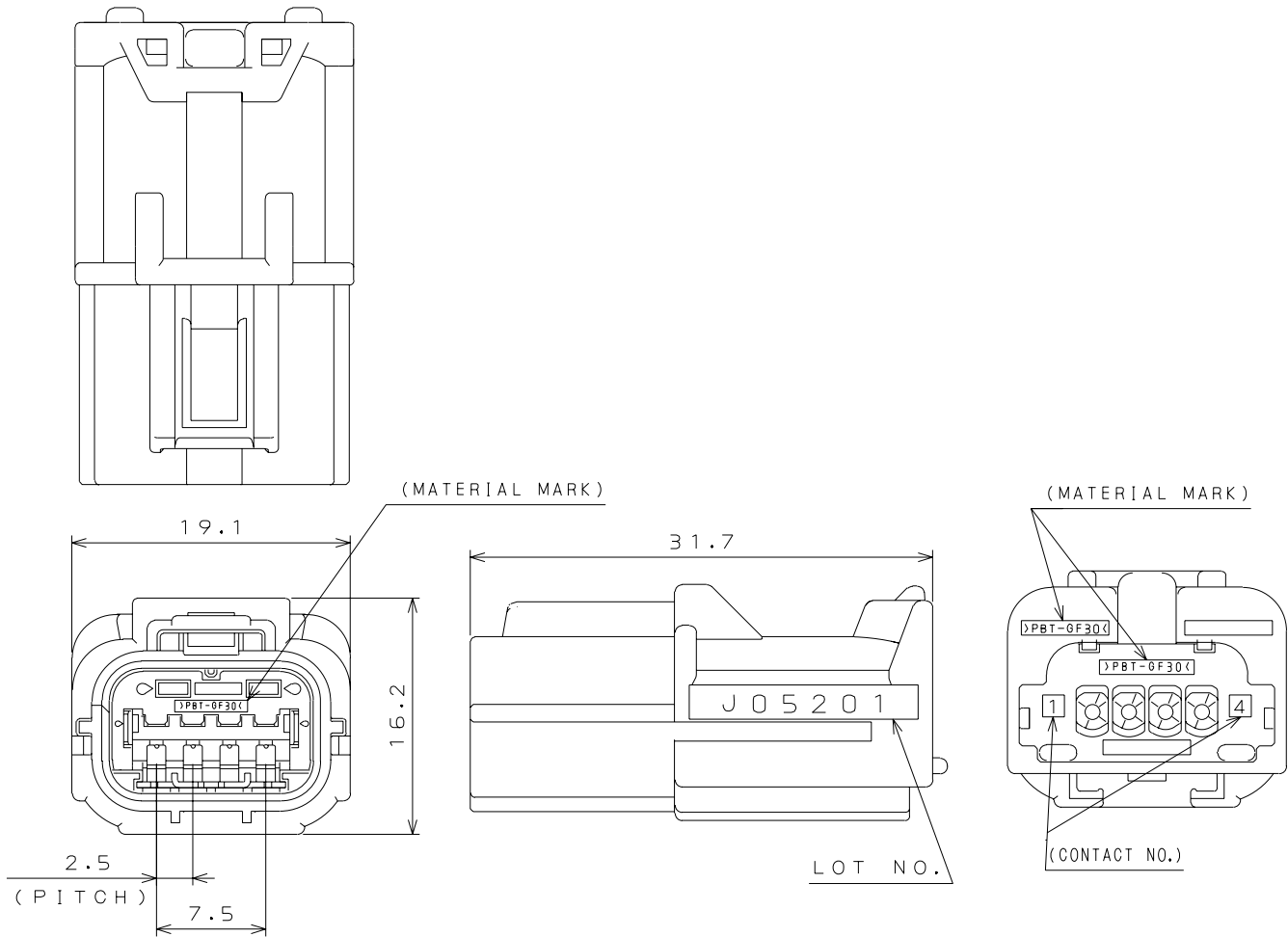
For 2pos. (MX36002SQ3) only the rear cover(shape, color) will be different
(SJ Drawing SJ101632)

Rear cover shape

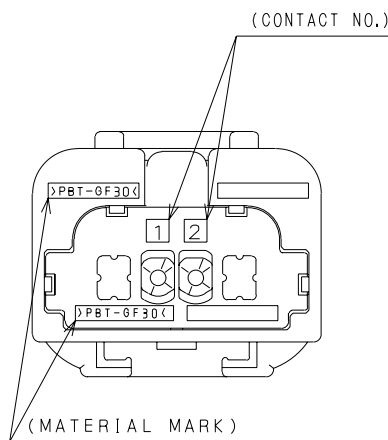


Others: 2pos. Available in different key (MX36002SQ4)
(SJ Drawing SJ102864)

(2) Pin connector (MX36004PQ3) (4pos.)
(SJ Drawing SJ101631)



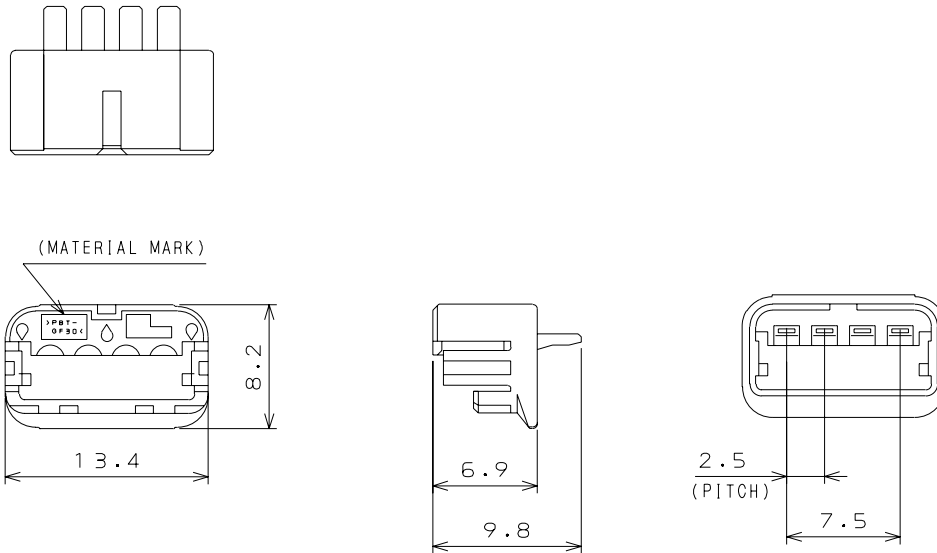
For 2pos. (MX36002PQ3) only the rear cover(shape, color) will be different
(SJ Drawing SJ101630)



Others: 2pos. Available in different key (MX36002PQ4)
(SJ Drawing SJ102863)

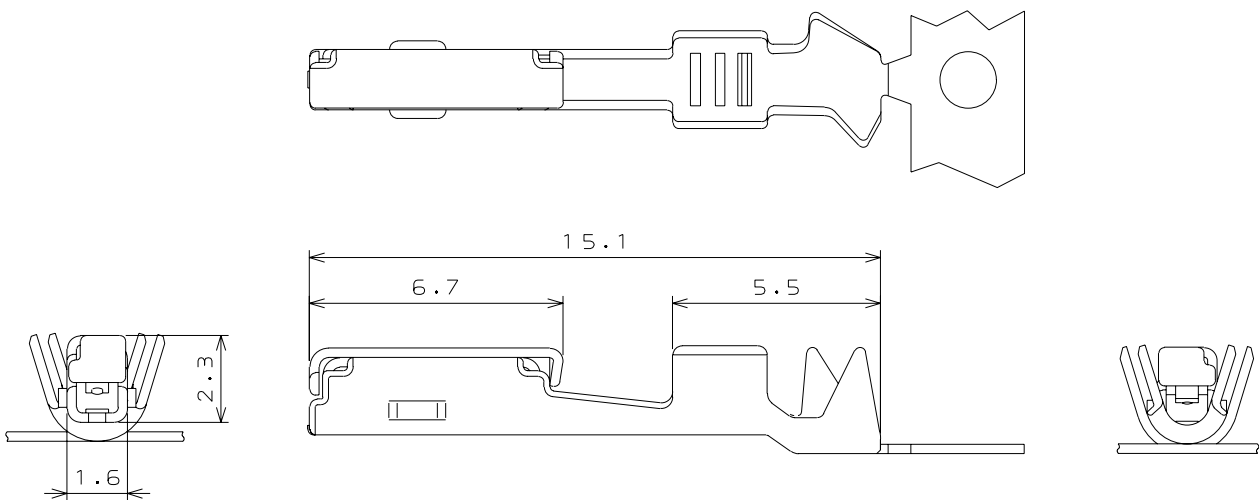
(3) Front cap (MX36004XF3)

(SJ Drawing SJ102923) 2pos. and 4pos. in common

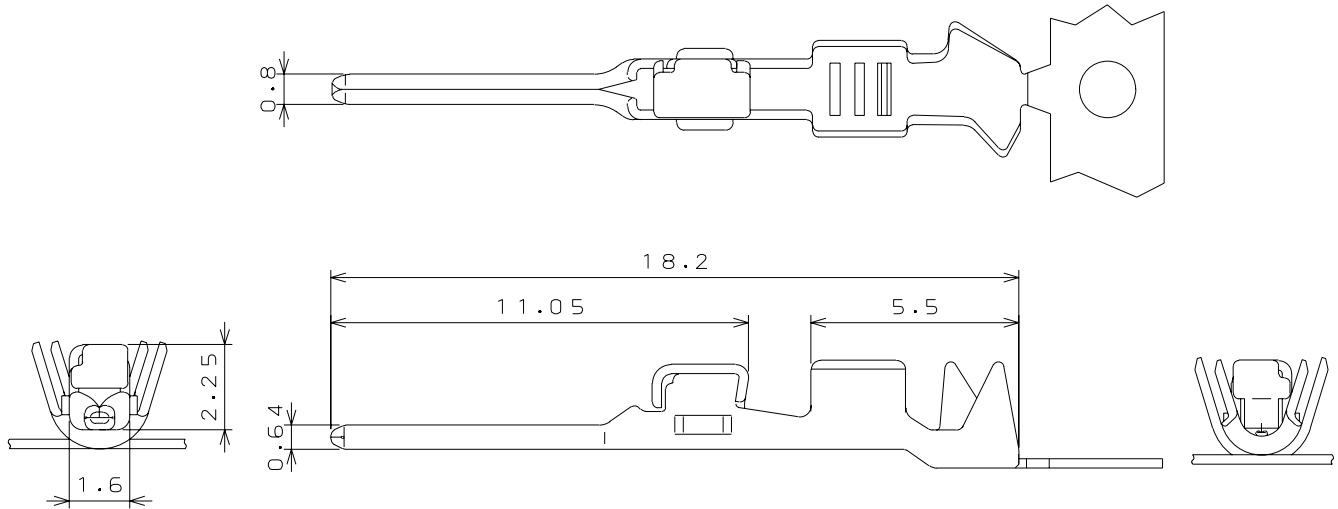


(4) Socket contact (M36S08K4Q3)

(SJ Drawing SJ102689)



(5) Pin contact (M36P08K4Q3)
(SJ drawing SJ102691)



Crimping and Release tools

Contact part number	Retainer release jig	Contact release jig	Semi automatic applicator	Automatic applicator
M36P08K4Q3	JT-MX36P-1	ET-MX36-1	350-MX36-2	350-MX36-3B
M36S08K4Q3	JT-MX36S-1			

Others

Specifications

JACS-10220

Instruction manual

JAHL-10220

Notice: Products shown in this leaflet are made for the applications listed below. However, if the above-mentioned products are to be used in aerospace devices, marine cable-connection devices, atomic power control systems, medical equipment for life-support systems, or any other specific application requiring extremely high reliability, please contact JAE for further information.
 Recommended applications: Computers, Office machines, Measuring devices, Telecommunication devices (Terminals, Mobile devices), AV devices, Household applications, FA devices, etc.

Japan Aviation Electronics Industry, Limited

Product Marketing Division
 Aobadai Building, 3-1-19, Aobadai, Meguro-ku, Tokyo 153-8539
 Phone: +81-3-3780-2787 FAX: +81-3-3780-2946

X-ON Electronics

Largest Supplier of Electrical and Electronic Components

Click to view similar products for [Automotive Connectors](#) category:

Click to view products by [JAE](#) manufacturer:

Other Similar products are found below :

[003-018-000](#) [60403001](#) [60993906-B](#) [M902-2131](#) [M902-2161](#) [72.330.1035.1](#) [73.353.4028.0](#) [F119300-B](#) [F166900](#) [F258300-B](#) [F358300-B](#)
[F407400](#) [F444110](#) [F487000](#) [F509500B-B](#) [827153-1](#) [8N1515-32-24P](#) [9-1326729-8](#) [925474-1](#) [928905-1](#) [964562-4](#) [968782-1](#) [GT17SA-8DS-](#)
[HU](#) [98891-1012](#) [98947-1016](#) [12004475-L](#) [12010290](#) [12010309-B](#) [12015454](#) [12020219-B](#) [12020308](#) [12041318-B](#) [12052225-L](#) [12052466](#)
[12059125](#) [12064869](#) [12004327-B](#) [12010503-B](#) [12015308](#) [12015384](#) [12015909](#) [1-21030-1](#) [12041254](#) [12041318](#) [12047946-B](#) [12047957](#)
[12047957-L](#) [12059473](#) [12066261](#) [12110546](#)