

**NEW**

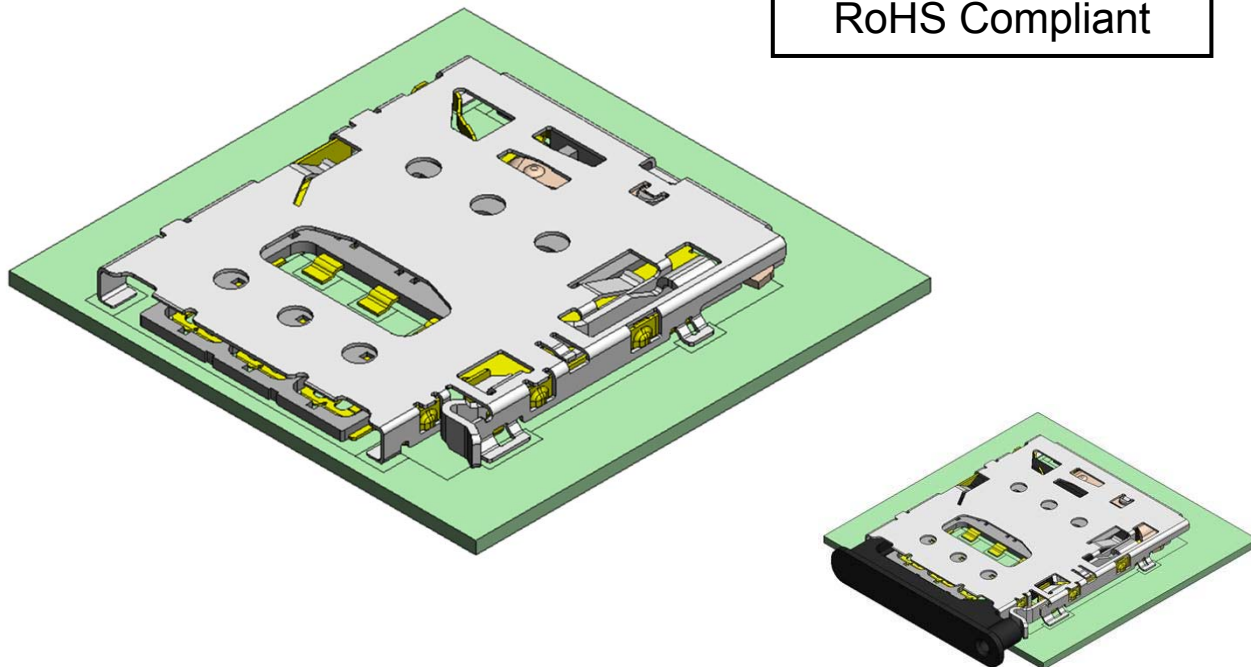


# nanoSIM Card Connector

## SF70 Series

CONNECTOR  
MB-0275-1  
January 2014

RoHS Compliant



<Drawing when a tray is inserted>

Note: Tray is not included. Tray is to be prepared by customers.

### <<Outline>>

Recently, smartphones and tablet PC have been equipped with nanoSIM cards. The SF70 Series is a push-eject tray type (ejected by pushing pin) connector compatible with the nanoSIM card.

(SIM: Subscriber Identify Module)

### Features

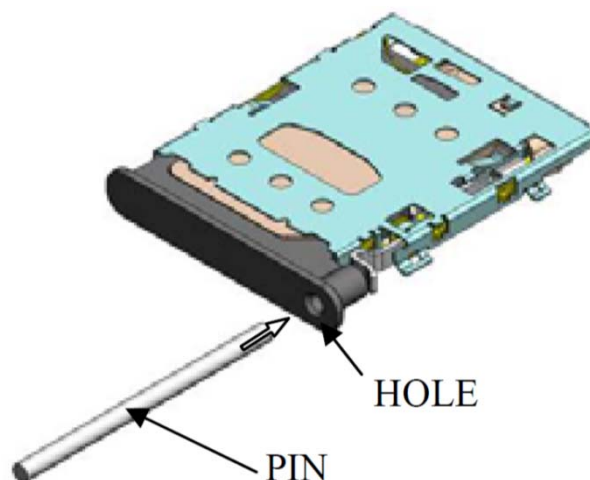
- 1.25mm height, 13.3mm width, and 14.8mm depth, low-profile, space-saving.
- Superior resistance against drop with original lock structure.
- Card mis-insertion measures, card detection with SW (normal open).
- Structure that enables visual check / repair of terminal area after SMT mounting.
- Balanced 7 hold-down points for good EMI performance.
- Pb-free, halogen-free compliant product.
- Supports automated mounting with embossed tape.

### General Specifications

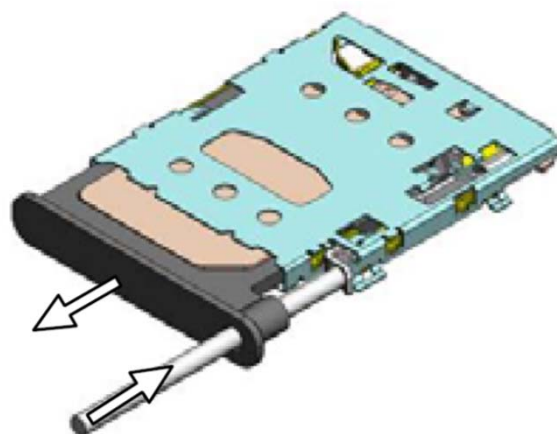
- |  |                                    |
|--|------------------------------------|
| ■ No. of Contacts: 6 pos.                                      | ■ Rated Current: 0.5A per terminal |
| ■ Contact Resistance: 100mΩ max. (initial)                     | ■ Rated Voltage: 10V per terminal  |
| ■ Dielectric Withstanding Voltage:<br>AC500Vr.m.s for 1 minute | ■ Durability: 5,000 times          |
| ■ Operating Temperature :<br>-25 Deg. C to +85 Deg. C          |                                    |

## How to Eject Tray

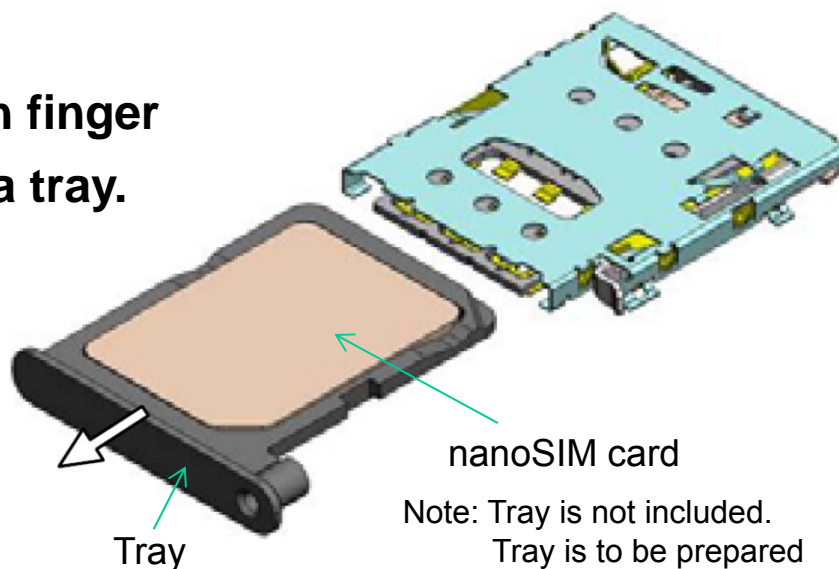
1. Insert a pin into the hole on the tray straightly.



2. Push a pin in until a tray ejects.



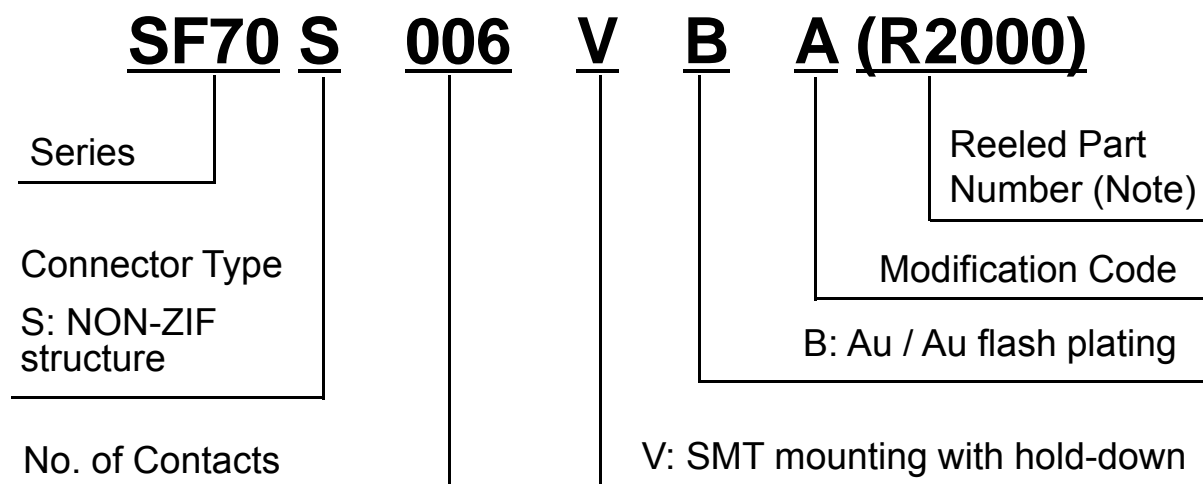
3. Pull the end with finger tips and draw out a tray.



Materials and Finishes

Component	Material and Finish
Signal Contact D-SW Contact	Copper alloy / Contact area Au plating over Ni Termination area Au flash plating over Ni
Housing	Synthetic resin / None
Cover Frame	Stainless steel / Terminal area: Au flash plating over Ni
Eject Bar	Stainless steel / None
Eject Lever	Stainless steel / None

Ordering Information

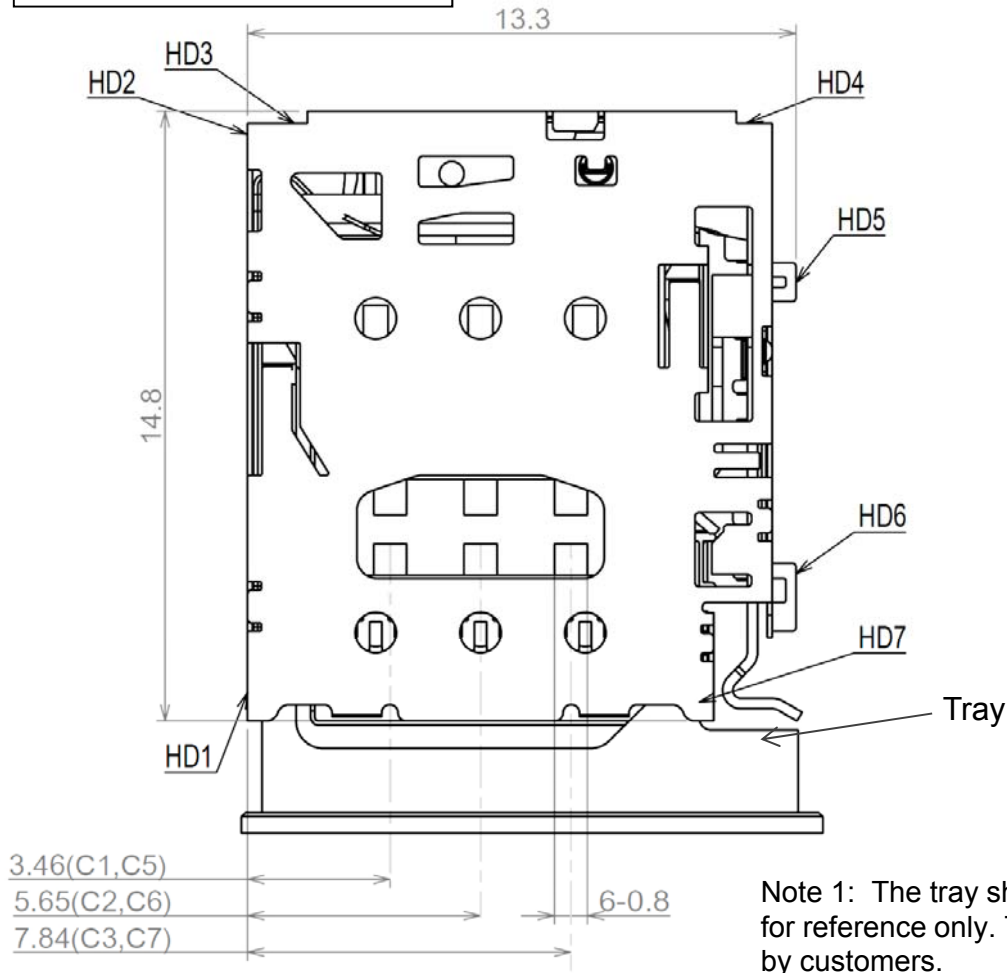


Note: An embossed tape reel contains 2,000 pieces.

Please contact us concerning packaging specifications.

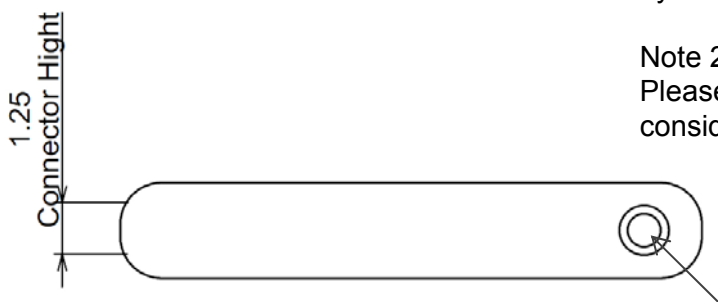
Part Number	SJ Drawing
SF70S006VBA	SJ113425

General Specifications



Note 1: The tray shown in this drawing is for reference only. Tray is to be prepared by customers.

Note 2: This drawing is for reference only. Please refer to the latest drawing when considering use of this product.



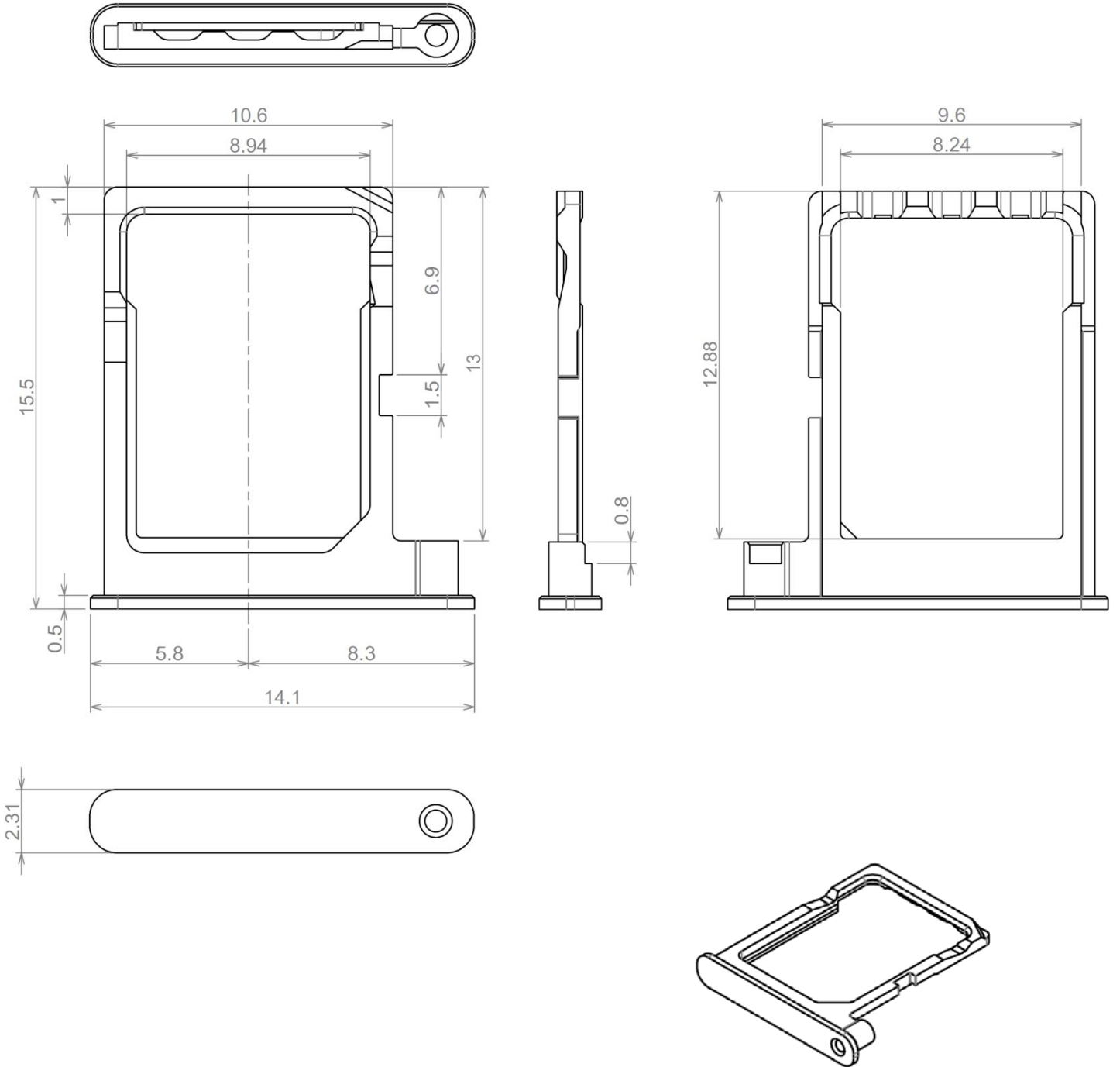
Hole for eject pin

Table 1 CIRCUIT

Unit: mm

	WITHOUT TRAY	TRAY MATED
DSW		

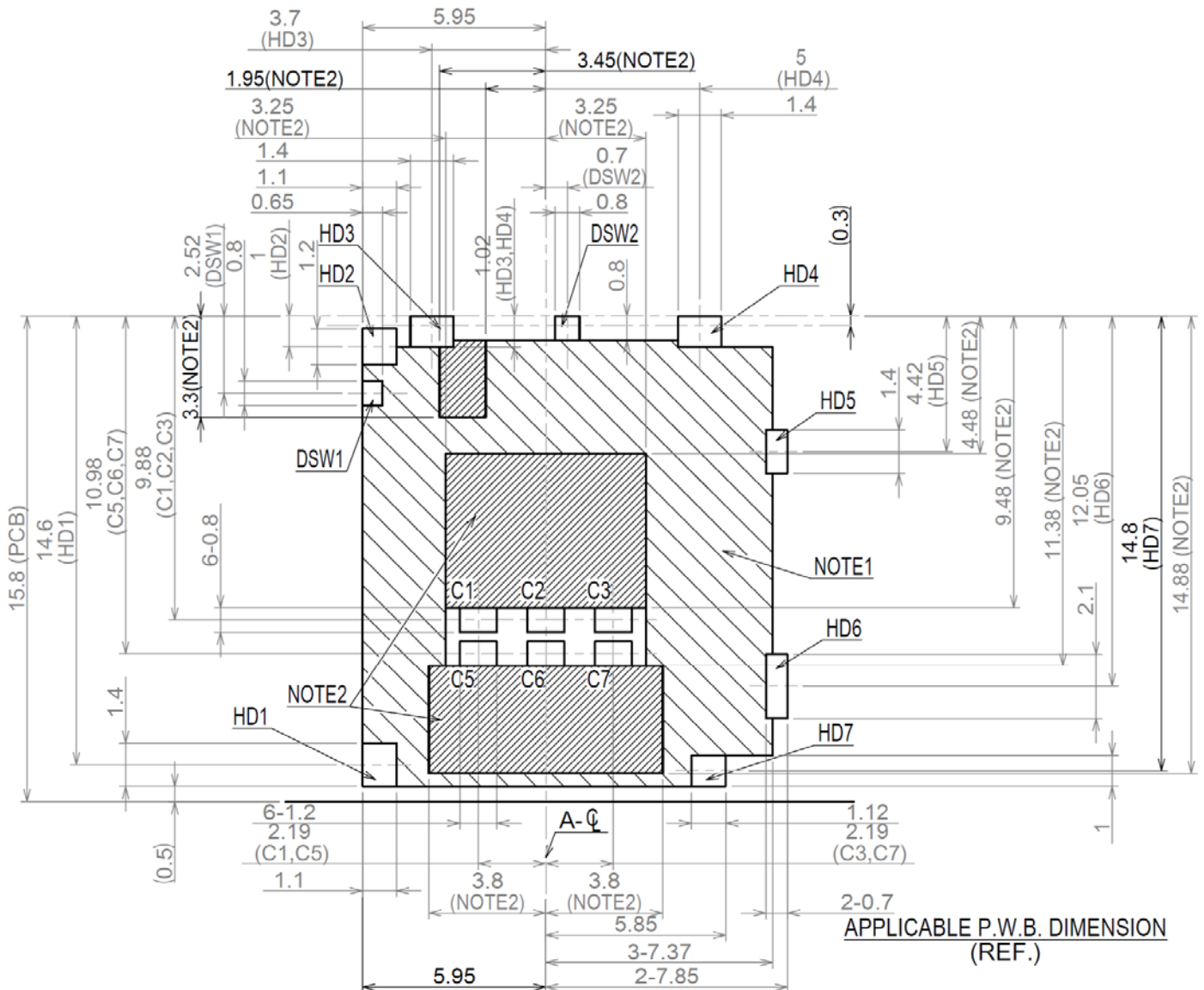
# Recommended Tray



Unit: mm

Note 1: Above are recommended dimensions for tray designed by customers.  
 Note 2: Above drawing is for reference only. Please refer to the most updated product drawing when considering use of this product.

**Recommended Board Patterns**



NOTE 1: ONLY GND PATTERN AND VIA HOLE IN ALLOWED IN THIS AREA.  
 NOTE 2: NO PATTERN , NO VIA HOLE IN THIS AREA.

Note 3: Above drawing is for reference only. Please refer to the most updated product drawing when considering use of this product.

**Japan Aviation Electronics Industry, Limited**

Product Marketing Division  
 Aobadai Building, 3-1-19, Aobadai, Meguro-ku, Tokyo 153-8539  
 Phone: +81-3-3780-2882 FAX: +81-3-3780-2946

**Notice:** Products shown in this brochure are made for the applications listed below. However, if the above-mentioned products are to be used in aerospace devices, marine cable-connection devices, atomic power control systems, medical equipment for life-support systems, or any other specific application requiring extremely high reliability, please contact JAE for further information.  
 Recommended applications: Computers, Office machines, Measuring devices, Telecommunication devices (Terminals, Mobile devices), AV devices, Household applications, FA devices, etc.

\* The specifications in this brochure are subject to change without notice. Please contact JAE for information.

## X-ON Electronics

Largest Supplier of Electrical and Electronic Components

*Click to view similar products for [Memory Card Connectors](#) category:*

*Click to view products by [JAE](#) manufacturer:*

Other Similar products are found below :

[M21-033321-005](#) [6407-249V-25273P](#) [6407-249V-25343P](#) [6426-201-21343](#) [69.920.0553.0](#) [FCN-568P068-G/07-4V](#) [809180410000000](#)  
[N7E50-7516PG-20-WF](#) [2041353-2](#) [33CFAE-DN](#) [502431-1011](#) [EN2997S61212BN](#) [EN2997SE61212BN](#) [95622-003LF](#) [95079-00CALF](#)  
[84648-056HLF](#) [68-580163-21S](#) [33DVIR-29S12R](#) [125A-78C00](#) [MI20A-50PD-SF-EJL\(71\)](#) [KP10S-SF-PEJ\(812\)](#) [504536-0691](#) [504580-0691](#)  
[CCM03-3109 B LFT](#) [2309923-1](#) [61126-050CAHLF](#) [IC1GA-68PD-1.27DS-EJ\(72\)](#) [GTFP08432B1HR](#) [G85DT17001P1EU](#)  
[G85B21611142HHR](#) [GSD090144HR](#) [G85D1140022P1HR](#) [GMCB05801124EU](#) [G85C11101152HHR](#) [G85B231021B1HR](#)  
[G85D1160022HHR](#) [112K-TAA0-RA1](#) [115S-ACA2](#) [115S-ACA3](#) [115S-BS00](#) [115S-BT00](#) [115V-AD00](#) [MCSP-Q1-08-A-SG-T/R](#) [503960-0695](#) [101B-TAA0-R](#) [101D-TAAA-R01](#) [101D-TAAB-R01](#) [104D-TCA0-R06](#) [104B-TAA0-R](#) [112C-TBAR-R02](#)