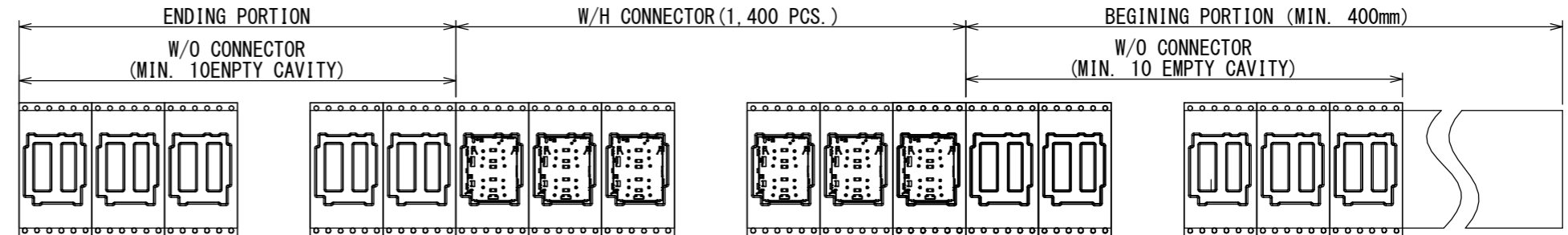
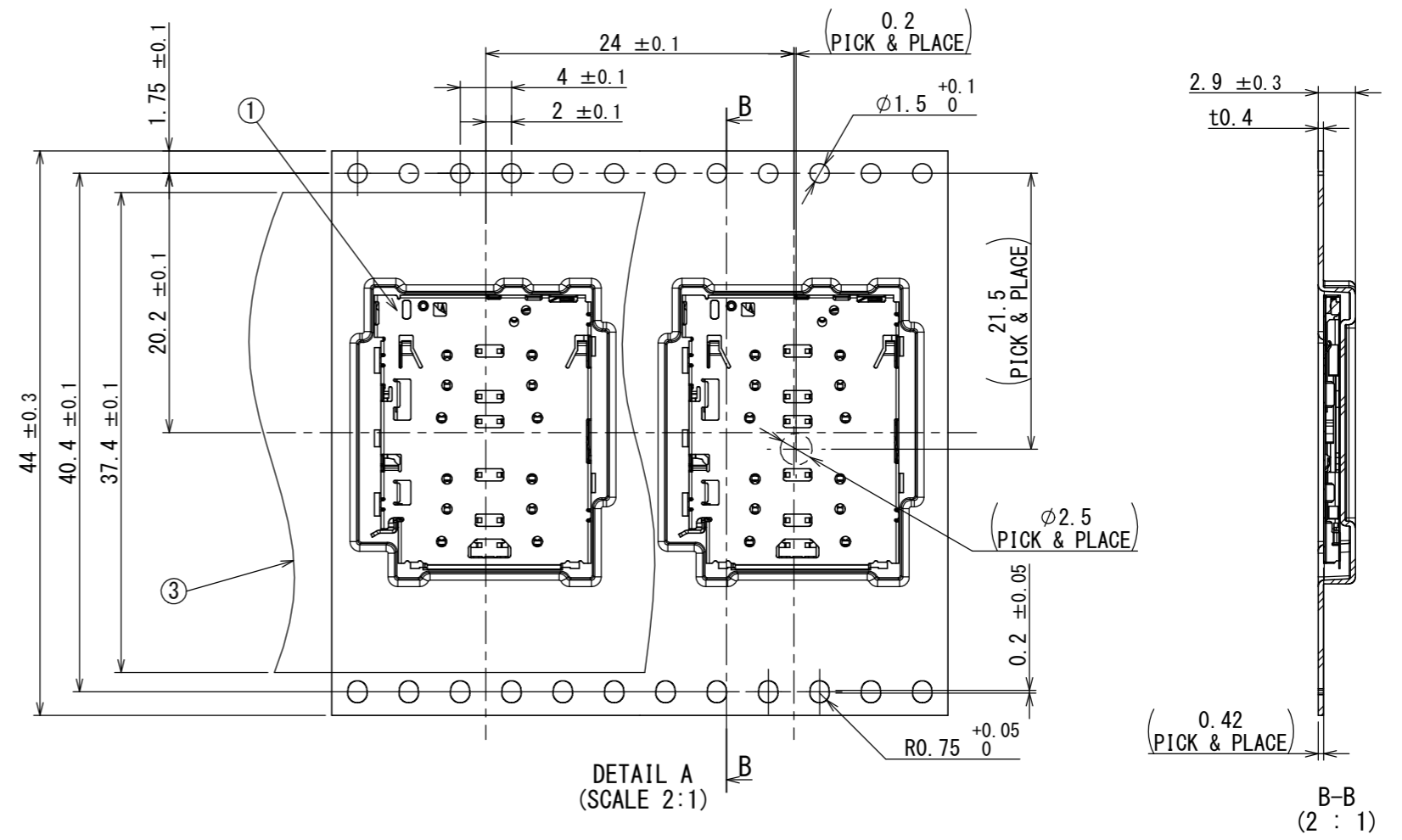
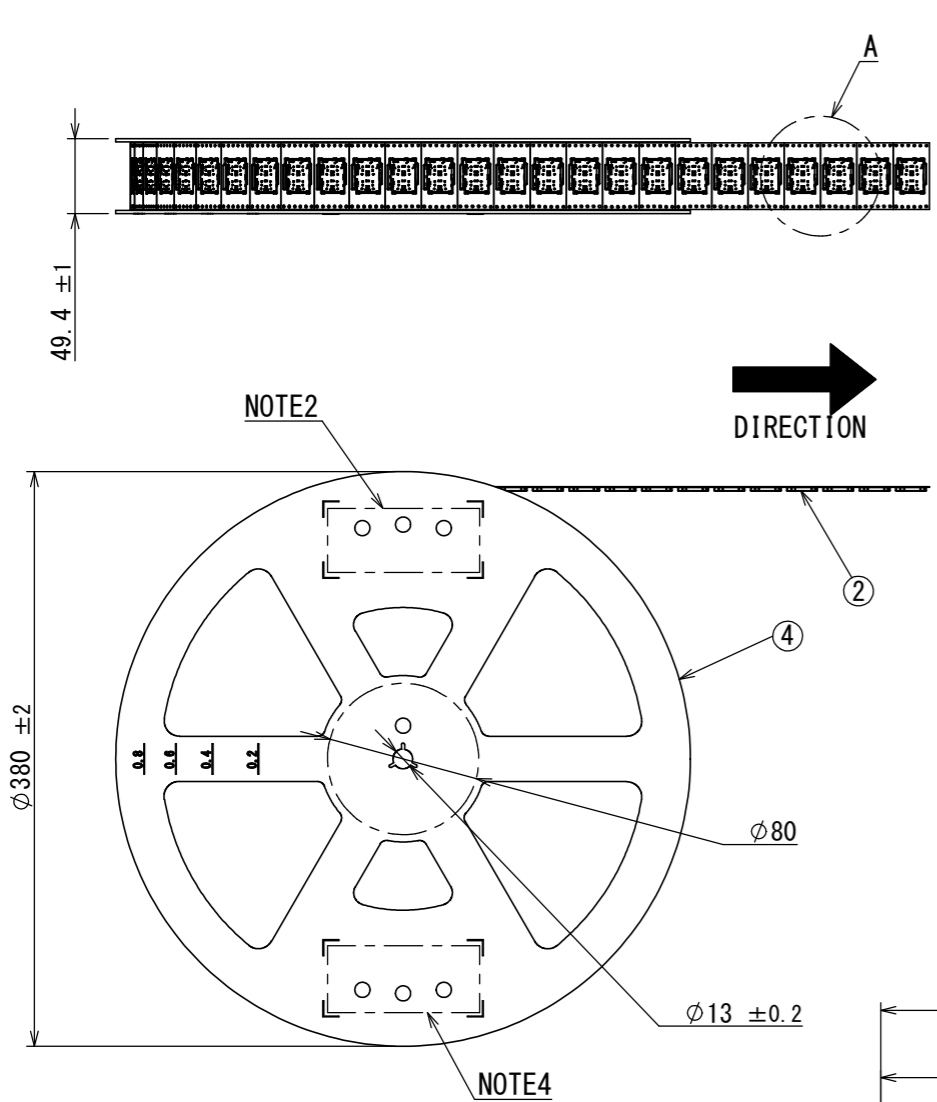


827117283
(ON DRAWING NO.)

版数 VER.	年月日 DATE	CN NO.	変更内容 DESCRIPTION	製図 DR.	担当 CHK.	査閲 APPD.	承認 APPD.
------------	-------------	--------	---------------------	-----------	------------	-------------	-------------



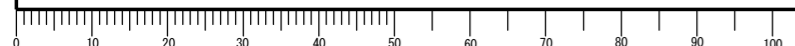
- NOTE1. SUFFIX "R1400" OF THE PART NUMBER INDICATES THAT 1400 PCS. OF SF78S012VBA CONNECTORS ARE ACCOMODATED IN ONE REEL.
2. THE LABEL IS TO BE ATTACHED ON THE MAGAZINE AS SHOWN, AND DESCRIPTION, QTY, LOT NO, EMBOSS CODE ARE SHOWN.
3. REFER TO THE DRAWING, SJ117282 (SF78S012VBA) FOR THE DIMENSION OF THE CONNECTOR.
4. IF THERE IS ANOTHER ASSIGNED LABEL, THE LABEL IS TO BE ATTACHED. (REFER TO JACS)

NOTE2.
DESCRIPTION: SF78S012VBAR1400
QTY : 1400
LOT NO : DDMMYY-* (*: REEL No.)
EMBOSS CODE: TB44 24
24: PITCH
44: TAPE WIDTH

4	REEL	1	PLASTIC		
3	COVER TAPE	1	POLYESTER		
2	CARRIER TAPE	1	PS		
1	CONNECTOR	1400			SJ117282 (SF78S012VBA)
符号 NO.	名称 DESCRIPTION	個数 QTY.	材料 MATERIAL	仕上 FINISH	備考 REMARKS

仕様書 (SPECIFICATION) JACS-11140		第1版 (ORIGINAL DATE) 03/JUN/2016		尺度 (SCALE) 1:5		シリーズ (SERIES) SF78		日本航空電子工業株式会社	
一般公差 (GENERAL TOLERANCE)		製図 DR.		名称 (TITLE) SF78S012VBAR1400		JAE		JAPAN AVIATION ELECTRONICS INDUSTRY, LTD.	
寸法 (DIMENSION)		担当 CHK.		質量 (MASS)		図面番号 (DRAWING NO.)		版数 (VER.)	
角度 (ANGLES)		査閲 APPD.		-		SJ117283		1	
単位 (UNIT) : mm		承認 APPD.							

DCF-C-212H(12.08)



WISDOM承認 2016/06/06

X-ON Electronics

Largest Supplier of Electrical and Electronic Components

Click to view similar products for [Memory Card Connectors](#) category:

Click to view products by [JAE](#) manufacturer:

Other Similar products are found below :

[M21-033321-005](#) [6407-249V-25273P](#) [6407-249V-25343P](#) [6426-201-21343](#) [69.920.0553.0](#) [FCN-568P068-G/07-4V](#) [809180410000000](#)
[N7E50-7516PG-20-WF](#) [21920-5](#) [2041353-2](#) [33CFAE-DN](#) [502431-1011](#) [EN2997S61212BN](#) [EN2997SE61212BN](#) [95622-003LF](#) [N7E50-](#)
[U516RB-50-SIN0005](#) [95079-00CALF](#) [84648-056HLF](#) [68-580163-21S](#) [33DVIR-29S12R](#) [125A-78C00](#) [MI20A-50PD-SF-EJL\(71\)](#) [KP10S-SF-](#)
[PEJ\(812\)](#) [504536-0691](#) [504580-0691](#) [CCM03-3109 B LFT](#) [2309923-1](#) [61126-050CAHLF](#) [IC1GA-68PD-1.27DS-EJ\(72\)](#) [GTFP08432B1HR](#)
[G85DT17001P1EU](#) [G85B21611142HHR](#) [GSD090144HR](#) [G85D1140022P1HR](#) [GMCB05801124EU](#) [112K-TAA0-RA1](#) [115S-ACA2](#) [115S-](#)
[ACA3](#) [115S-BS00](#) [115S-BT00](#) [115V-AD00](#) [MCSP-Q1-08-A-SG-T/R](#) [503960-0695](#) [101B-TAA0-R](#) [101D-TAAA-R01](#) [101D-TAAB-R01](#)
[104D-TCA0-R06](#) [104B-TAA0-R](#) [112C-TBAR-R02](#) [114B-40B00-R02](#)