

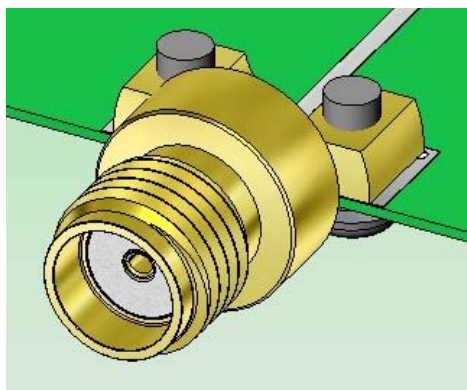
NEW
20GHz Coaxial connectors compatible with
SMA (IEC60169-15) standards

CONNECTOR

MB-0145-2

June 2006

End-launch SMA



End-Launch SMA Connector P/N No.: SMAR006D00

RoHS Compliant

SMA (IEC60169-15) type connectors compatible to high-frequency band up to 20 GHz, when mounted on board.

Suitable for mobile phones, PHS, base stations for wireless LAN, access points for wireless communication equipment and other high-frequency devices, high-frequency modules and wireless communication devices that require high reliance under high-frequency band and also measuring devices and for devices compatible to high-frequency band such as transmission characteristic measuring devices.

Features

- Compatible to high-frequency band up to 20 GHz, when mounted on board. (Additional adjustment will be needed for mounting area dimensions of board.)
- High frequency characteristic, insertion loss without drop and low reflection.
- Easy mounting and repair made possible by screw fixing outer conductor of connector to board without soldering.
- Compatible to all board thickness. (Can be applied by selecting length of screw applicable to board thickness.)
- Connection configuration for easy soldering of signal contacts.
- Compatible to high density mounting with maximum breadth 11mm.

Application

Mobile phones, PHS base stations, wireless LAN access points, wireless communication equipment, high frequency module, wireless power amplifiers, measuring equipment, transmission characteristic measuring devices, RFID (IC tag, automatic identification), broadcasting equipment etc.

General Specifications

- Characteristic impedance: 50 ohm.
- Operating frequency:
DC to 20GHz
- V.S.W.R.: 1.05 max. +0.015xf(Ghz) max.
(DC to 20GHz)
- Rated current: DC 0.5A
- Rated voltage: AC250V.r.m.s
- Operating temperature :
-40 to+85 Deg. C
- Contact resistance:
Signal contact; 4m ohm max.
(Change after test; 10m ohm max.)
- Dielectric withstanding voltage:
AC 500 Vr.m.s (1 min.)
- Insulation resistance:
500M ohm min. (DC500V)

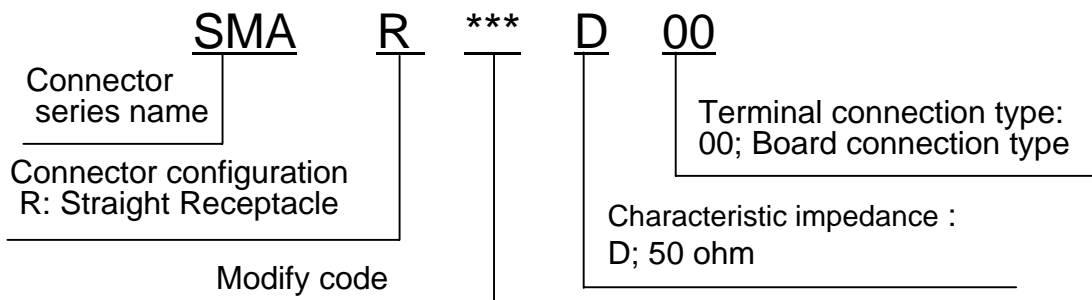
Materials and Finishes

■SMAR006D00

Components	Materials/ Finishes
Insulator	Fluorine ethylene
Signal Contact (Central conductor)	Phosphor bronze/Au plating over Ni
Outer conductor (Ground contact)	Mating area: Brass/ Au plating over Ni Wire connection area for board: Phosphor bronze/ Au plating over Ni

Ordering Information

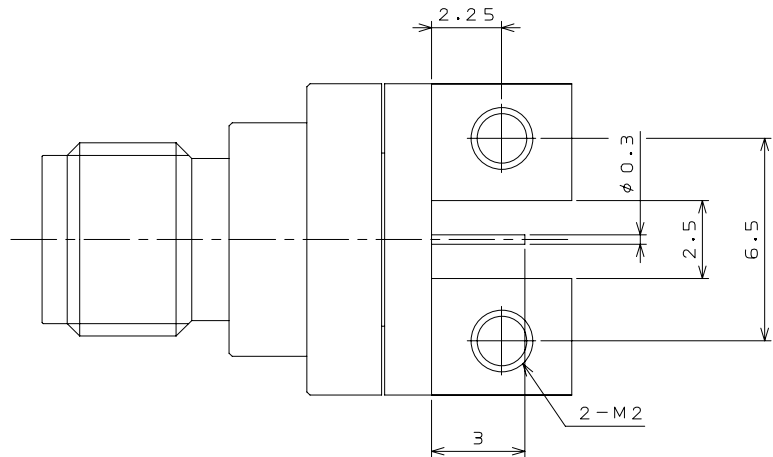
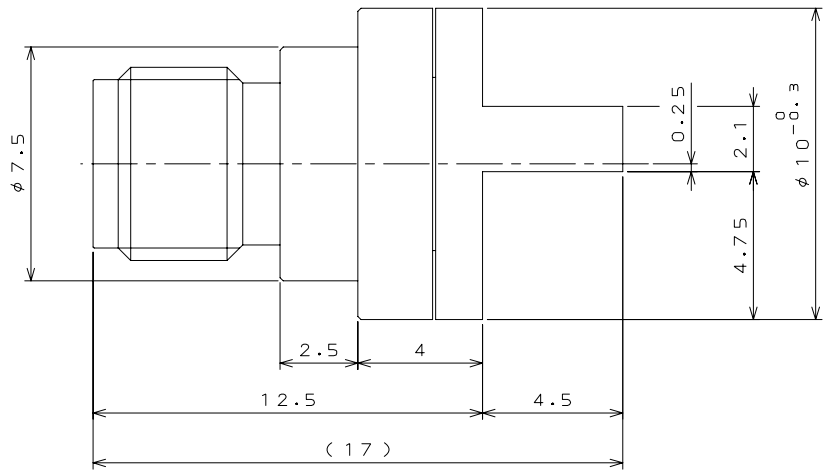
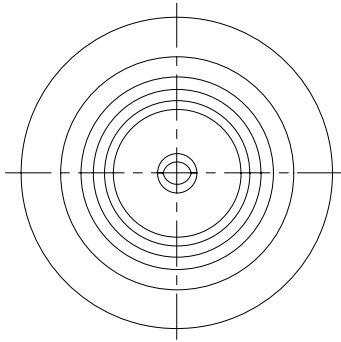
■Receptacle (Board side)



Technical Information

Part Number	SMAR006D00
SJ Drawing	SJ105518
Product Specification	JACS-20061

Dimensions and Shapes



Japan Aviation Electronics Industry, Limited

Product Marketing Division
 Aobadai Building, 3-1-19, Aobadai, Meguro-ku, Tokyo 153-8539
 Phone: +81-3-3780-2787 FAX: +81-3-3780-2946

Notice: Products shown in this leaflet are made for the applications listed below. However, if the above-mentioned products are to be used in aerospace devices, marine cable-connection devices, atomic power control systems, medical equipment for life-support systems, or any other specific application requiring extremely high reliability, please contact JAE for further information.
 Recommended applications: Computers, Office machines, Measuring devices, Telecommunication devices (Terminals, Mobile devices), AV devices, Household applications, FA devices, etc.

X-ON Electronics

Largest Supplier of Electrical and Electronic Components

Click to view similar products for [RF Connectors](#) / [Coaxial Connectors](#) category:

Click to view products by [JAE](#) manufacturer:

Other Similar products are found below :

[8915-1511-000](#) [89674-0827](#) [6001-7071-019](#) [6002-7051-003](#) [6002-7551-202](#) [6059674-1](#) [619550-1](#) [630059-000](#) [M39030/3-01N](#) [6500-7071-046](#) [6769](#) [CX050L2AQ](#) [7002-1542-011](#) [7004-1512-000](#) [7009-1511-004](#) [7010-1511-000](#) [7029-1511-060](#) [7101-1541-010](#) [7101-1571-002](#) [7105-1521-002](#) [7145-1521-002](#) [7203-1571-003](#) [7209-1511-011](#) [7210-1511-015](#) [7210-1511-019](#) [73137-5015](#) [73216-2241](#) [7325-1512-000](#) [73404-2300](#) [7405-1521-005](#) [7405-1521-802](#) [7406-1521-005](#) [8527](#) [8547](#) [FS11V](#) [8808-1511-001](#) [9049-9513-000](#) [9074-9513-000](#) [9101-9573-002](#) [910A205F](#) [9130-9573-002](#) [PL11SC-026](#) [PL375-33](#) [PL40-5](#) [PL71-9](#) [PL74C-221](#) [PL75MC-217](#) [PL803-7](#) [980-8666-005](#) [1200690078](#)