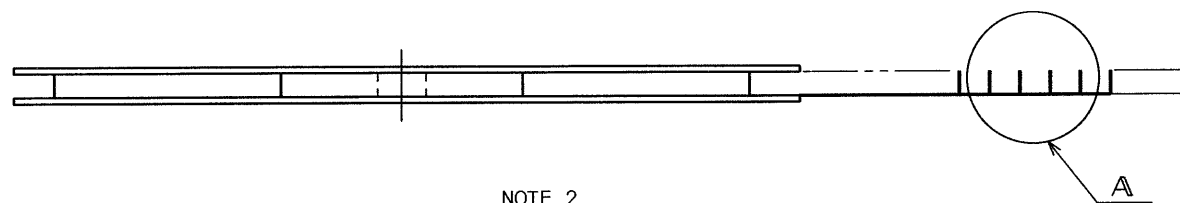


SJ025427-E

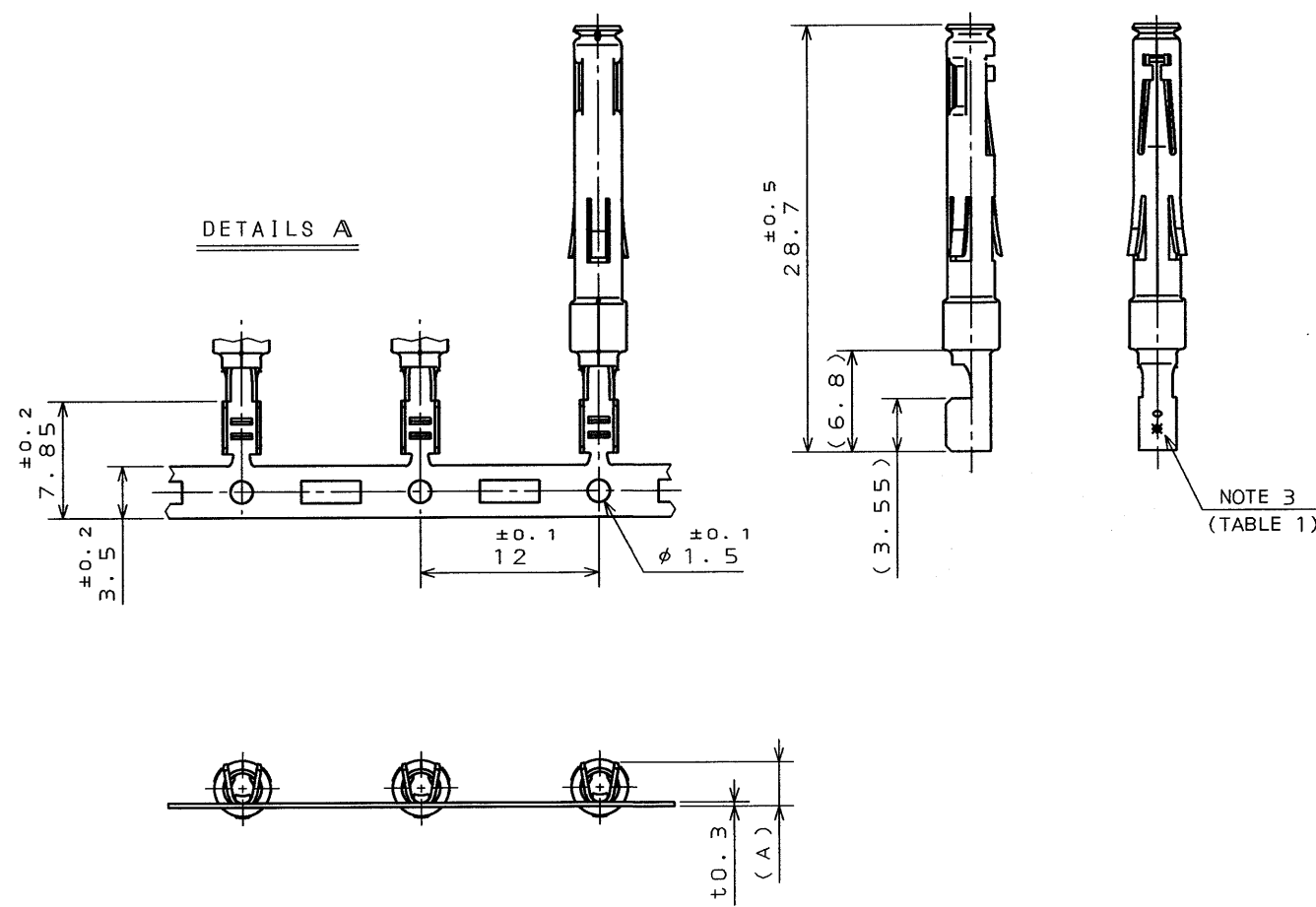
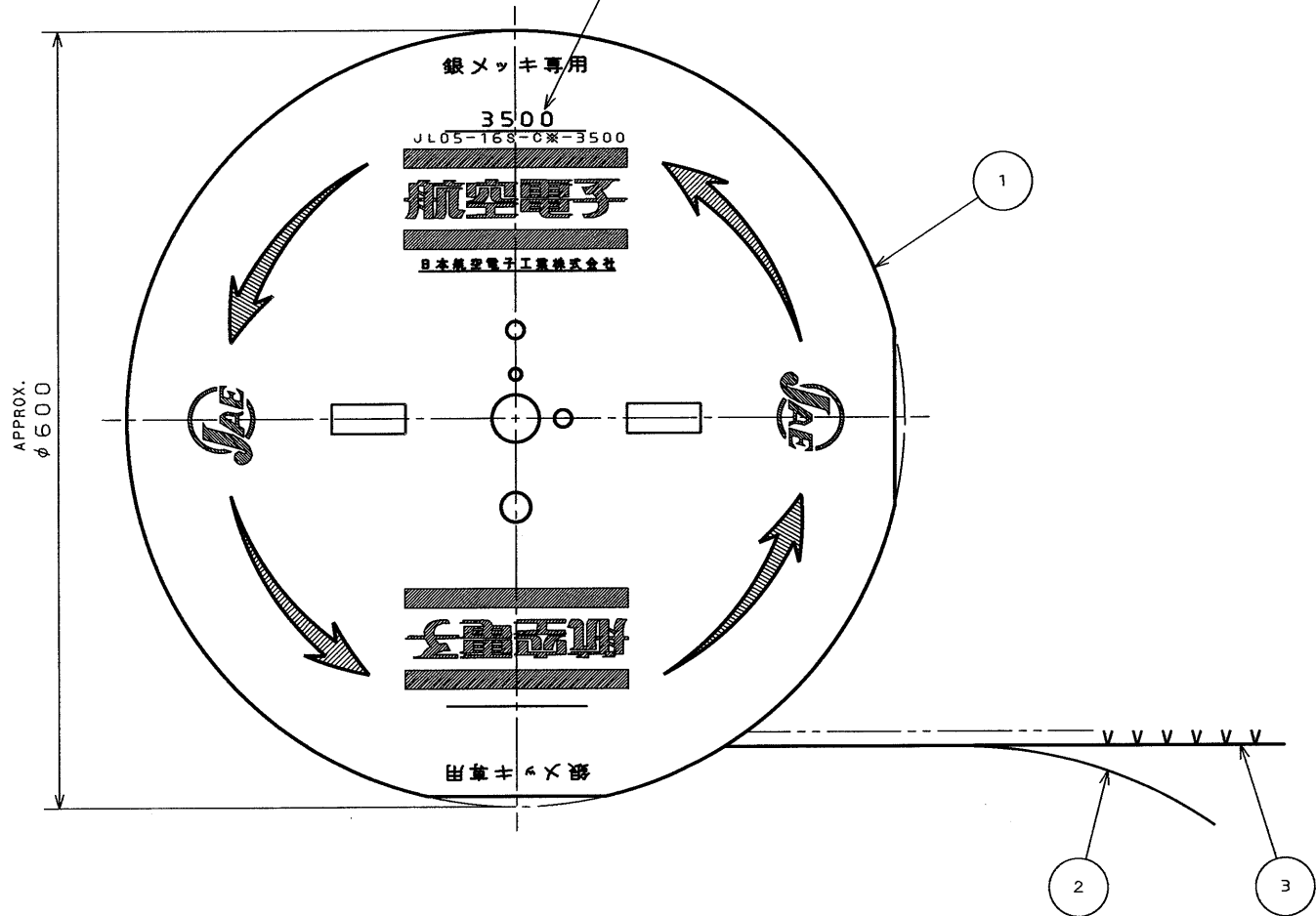
DWG. NO.

SYM.	DCN NO.	DESCRIPTION	DATE	DRAWN	CHECKED	APP 'D	APP 'D



NOTE 2

A



- NOTE 1. CONTACTS ARE SUPPLIED IN REELED FORM WITH 3500 CONTACTS PER REEL.
- NOTE 2. PART DESCRIPTION AND NUMBER OF CONTACTS OF A REEL ARE MARKED ON THE MAGAZINE AS SHOWN.
- NOTE 3. A CRIMP TYPE IS MARKED AS INDICATED.

TABLE 1

CRIMP TYPE	APPLICABLE WIRE		DIMENSIONS
	WIRE SIZE	INSULATION OUTER DIA.	
C 1	AWG #14~16 (1.25mm~2mm)	φ 3.8MAX.	3.7
C 2	AWG #16~20 (1.25mm~0.5mm)	φ 3.8MAX.	3
C 3	AWG #20~24 (0.5mm~0.2mm)	φ 3.8MAX.	2.2

NOTE 4. FOR AN INDIVIDUAL CONTACT, SEE DWG. NO. SJ025425.

DIMENSIONS ARE IN MILLIMETERS  
TOLERANCES ON: (INCHES)

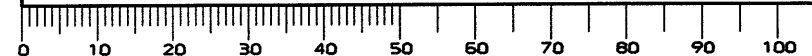
DIMENSION	ANGLES
. ±	X° ±
.X ±	X°X' ±
.XX ±	CONCENTRICITY
.XXX ±	WITHIN T.I.R.

ITEM	DESCRIPTION	Q'TY	MATERIAL	FINISH	REMARKS
3	#16 SOCKET CONTACT	3500	COPPER ALLOY	SILVER PLATING	
2	TAPE	1	PAPER		
1	MAGAZINE	1	PAPER		

REFERENCE DOCUMENT	DATE	SCALE	WT.	Q'TY
	21. Apr. '95	2/1	2.0g	3500
MATERIAL	DRAWN	TITLE		
	H. SAKURADA	ST-JL05-16S		
TREATMENT	CHECKED	Reference		
	S. NANO	-C*-3500		
FINISH	APP'D	SERIES		
	T. MORITA	JL05		
	APP'D	DWG. NO.		
	M. Takagi	SJ025427-E		

DCF-C-143



CDS-90-12057  
A3  
SIZE

## X-ON Electronics

Largest Supplier of Electrical and Electronic Components

*Click to view similar products for [Standard Circular Contacts](#) category:*

*Click to view products by [JAE](#) manufacturer:*

Other Similar products are found below :

[RC16M23J](#) [133780-1](#) [RM20M13D28](#) [RM24M9D28](#) [RMMX110-1D28](#) [MS3474W10-6P L/C](#) [ELVP16100E](#) [164-901-CD](#) [EN3545007SCE](#)  
[BV002BSQ20049CZ](#) [BV002SSQ160404CZ](#) [BV002SSQ200404CZ](#) [1900ND05S1B00B](#) [192900-0061](#) [192900-0427](#) [192900-0430](#) [166566-1](#)  
[1900ND04S1X00D](#) [192900-0058](#) [ST-JL05-16S-C3-100](#) [ST-JL05-20S-C1-100](#) [ST-JL05-20S-C2-100](#) [T01-CRIMP-S03](#) [APK-SA16A07-002](#)  
[27963-15T12](#) [CONT-JL05-08S-C2-10](#) [CONT-JL05-12S-C1-10](#) [RC16M-23T](#) [RFD26L-1D28](#) [BV002ASJ16049CW](#) [JN1-22-20S-R-PKG100](#)  
[031-50565](#) [ELFH08251](#) [SJS861301M](#) [ST-JL05-16S-C1-100](#) [ST-JL05-20P-C1-100](#) [82911466K](#) [ESLM03200](#) [192991-0087](#) [192900-0570](#)  
[ELFH07251](#) [44-104-10003-02](#) [T3P16FC3LZ](#) [ST-JL05-16S-C2-3500](#) [ZP-4016-10NF](#) [CONT-JL05-12P-C1-10](#) [RM20M12G8D28](#) [031-50676](#)  
[12115010110](#) [RJFTVC2MG](#)