

**NEW**



Small Waterproof Connector

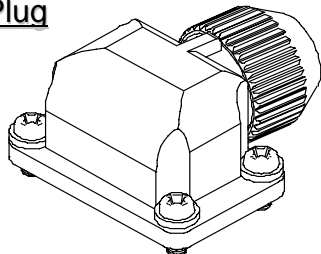
CONNECTOR

# JN4 Series

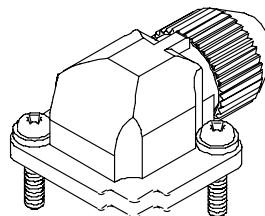
MB-0157-1

August 2006

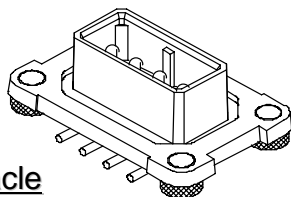
4 contact Angle Plug



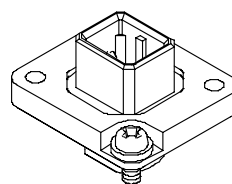
2 contact Angle Plug



4 contact Receptacle



2 contact Receptacle



Small waterproof connector developed as an interface for small motors for industrial devices .

### Features

- All plastic lightweight connector
- Plug all over length 27mm, plug height is low profile 13.7mm (4pos.)
- Oil resistant, superb environmental proof performance
- Waterproof and dustproof that conform to IP67 class (when mated)
- Receptacle mounting arrangement
  - 4pos. : fixed to case by mold in method
  - 2pos. : fixed to case with screw by 2 points
- Cable pulling out direction of plug can be selected from two directions(180 degrees)
- Cable pullout slot for 4pos. plug is in lean of 7 degrees.
- Plug is selectable from the cable or individual cable type.

### General Specifications

	Item	Specification and Performance	
		for power (4pos.)	for brake (2 pos.)
1	Rated current	7A max. (per 1pos.)	5A max. (per 1pos.)
2	Rated voltage	200VAC (pollution degree 2, over voltage category II)	200VAC
3	Withstanding voltage	1500VAC	1500VAC
4	Insulation resistance	1000M ohm min. (DC500V energized )	1000M ohm min. (DC500V energized )
5	Waterproof	IP67 (when mated)	IP67 (when mated)
6	Operating temperature	-20 Deg. C to +130 Deg.C	-20 Deg. C to +130 Deg.C
7	Specification of wire connection	Receptacle: Angle trough-hole Plug: Crimp connection (AWG20 to 18)	Receptacle: Crimp connection (AWG22 to 20) Plug: Crimp connection (AWG22 to 20)

Materials and Finishes

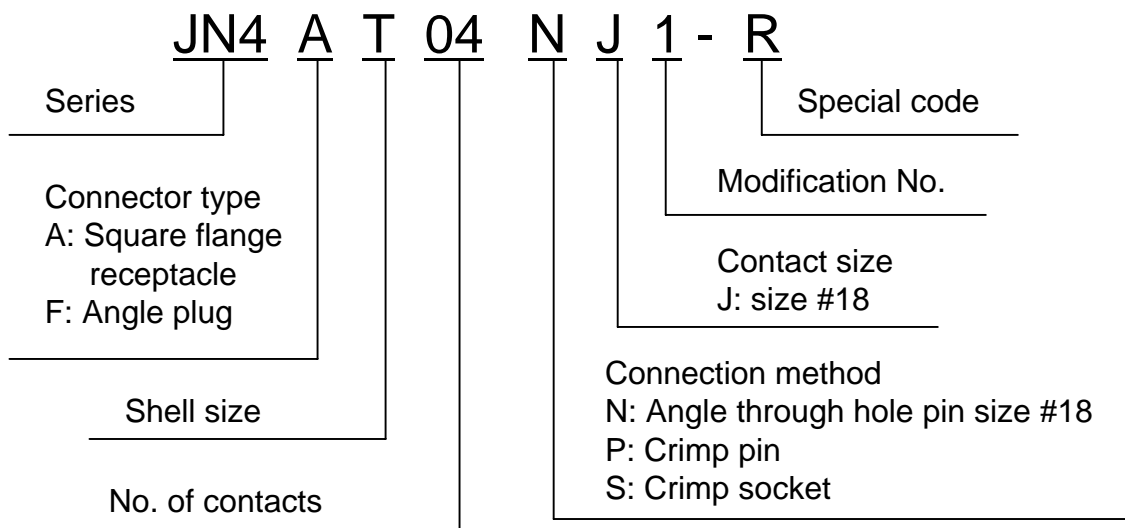
1) Receptacle

Components	Materials and Finishes
Pin contact	Copper alloy, Au plating
Pin Insulator	Synthetic resin
Insert nut	Copper alloy
“O” ring	Synthetic rubber

2) Plug

Components	Materials and Finishes
Socket contact	Copper alloy
Socket insulator	Synthetic resin
Hood	Synthetic resin
Grand nut	Synthetic resin
Gasket	Synthetic rubber
Bushing	Synthetic rubber
Plate	Stainless steel
Screw	Steel

Ordering Information



## Connector

	Part Number	SJ Drawing	Characteristics	Connection method
1	JN4AT04NJ1-R	SJ106322	4pos./ Square flange receptacle	Angle through-hole(pin contact)
2	JN4FT04SJ1-R	SJ105539	4pos./ Angle plug (compatible to cabtire cable)	Crimp (Socket contact)
3	JN4FT04SJ2-R	SJ105542	4pos./ Angle plug (compatible to individual cable)	Crimp (Socket contact)
4	JN4AT02PJ1-R	SJ105540	2pos./ Square flange receptacle	Crimp (Pin contact)
5	JN4FT02SJ1-R	SJ105541	2pos./ Angle plug (compatible to cabtire cable)	Crimp (Socket contact)
6	JN4FT02SJ2-R	SJ105543	2pos./ Angle plug (compatible to individual cable)	Crimp (Socket contact)

## Crimp contact

Applicable connector	Type	Category	Part Number	SJ Drawing
JN4FT04SJ*	Socket contact	Individual (100pcs.)	ST-TMH-S-C1B-100-(A534G)	SJ038822
JN4FT02SJ*		Reel (3500pcs.)	ST-TMH-S-C1B-3500-(A534G)	SJ038821
JN4AT02PJ1	Pin contact	Individual (100pcs.)	ST-JN4-P-C1-100-(A534G)	SJ038859
		Reel (3500pcs.)	ST-JN4-P-C1-3500-(A534G)	SJ038858

## Crimping tools

Applicable contact Part No.	Tool	Tool category	Tool handling Instruction
ST-TMH-S-C1B-100-(A534G)	CT160-3-TMH5B	Hand crimp (for individual contact)	T700255
ST-TMH-S-C1B-3500-(A534G)	350-TMH5B-2B	Semi-automatic crimp (for reel contact)	T703322
ST-JN4-P-C1-100-(A534G)	CT160-3-JN4	Hand crimp (for individual contact)	T700264
ST-JN4-P-C1-3500-(A534G)	350-TMH5-2	Semi-automatic crimp (for reel contact)	T703273

\*\* For RoHS compliance information concerning connection and removal tools which appear in this brochure, please consult us.

## Applicable Cables

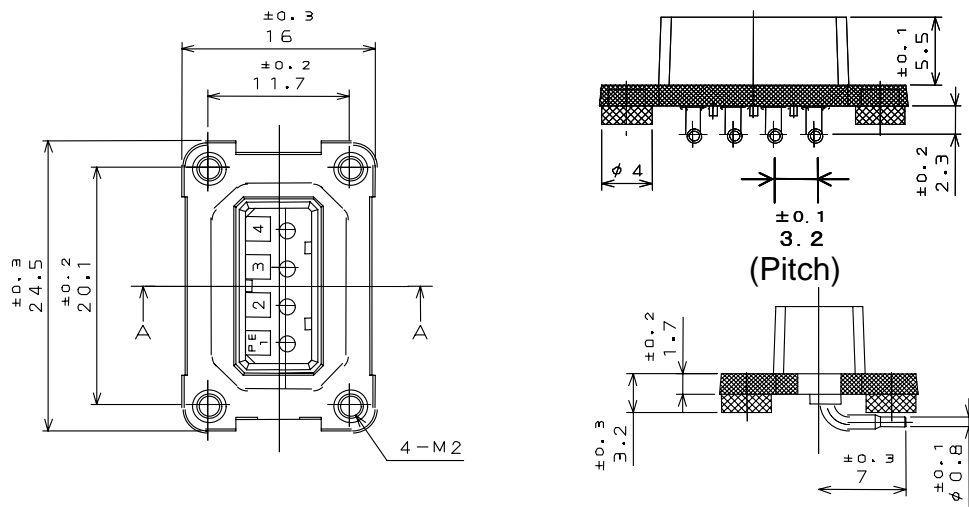
No.	Part No.	Applicable cable			Remarks
		AWG No.	Coated outer dia.	Cable outer dia.	
1	JN4AT04NJ1-R	---	---	---	Attached to board
2	JN4FT04SJ1-R	#20 to #18	1.3 to 1.8 dia.	5.3 to 6.5 dia.	Cabtire cable
3	JN4FT04SJ2-R	#20 to #18	1.3 to 1.8 dia	---	Individual cable
4	JN4AT02PJ1-R	#22 to #20	2.4 dia. max.	---	Individual cable
5	JN4FT02SJ1-R	#22 to #20	1.3 to 1.4 dia	3.6 to 4.8 dia.	Cabtire cable
6	JN4FT02SJ2-R	#22 to #20	1.3 to 1.4 dia	---	Individual cable

\* Applicable cables are indicated in the Handling Instruction.  
Adjustment will be needed for other cables.

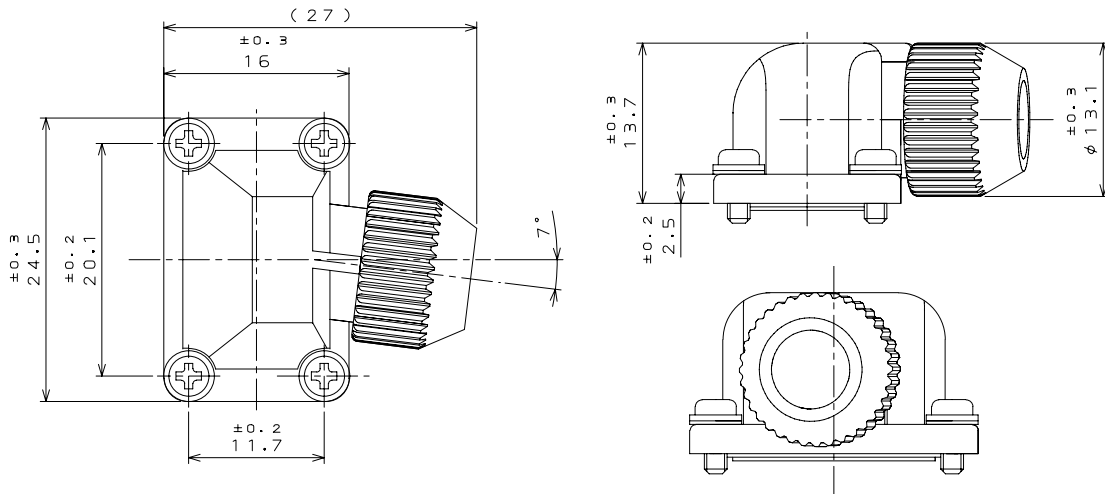
## Related Information

	Title	Document Number	Remarks
1. Specification	JN4 Connector Specification	JACS-5122	---
2. Handling Instruction	JN4 Connector Handling Instruction	JAHL- 5122	---

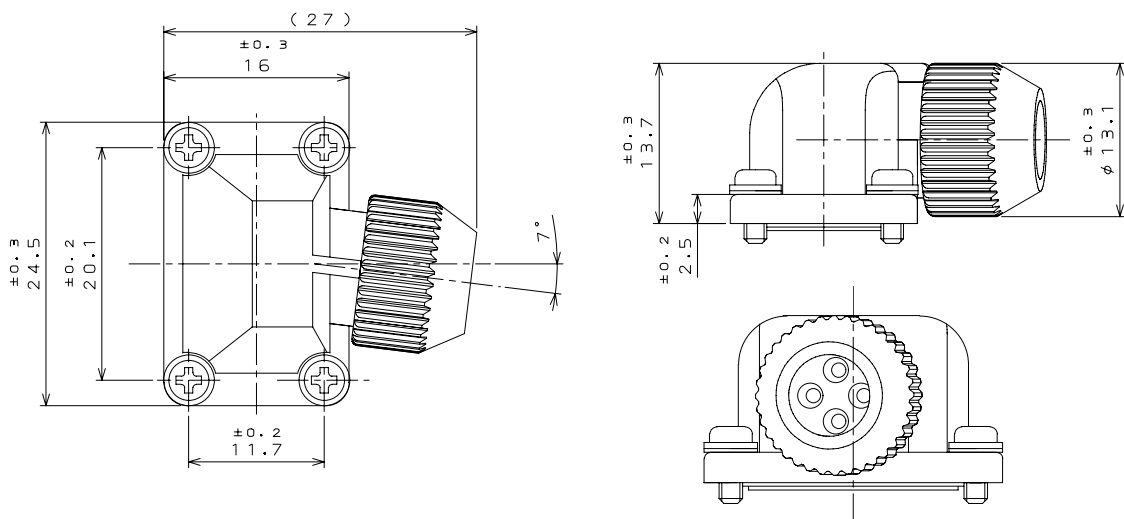
■4 contact type Receptacle (JN4AT04NJ1-R)



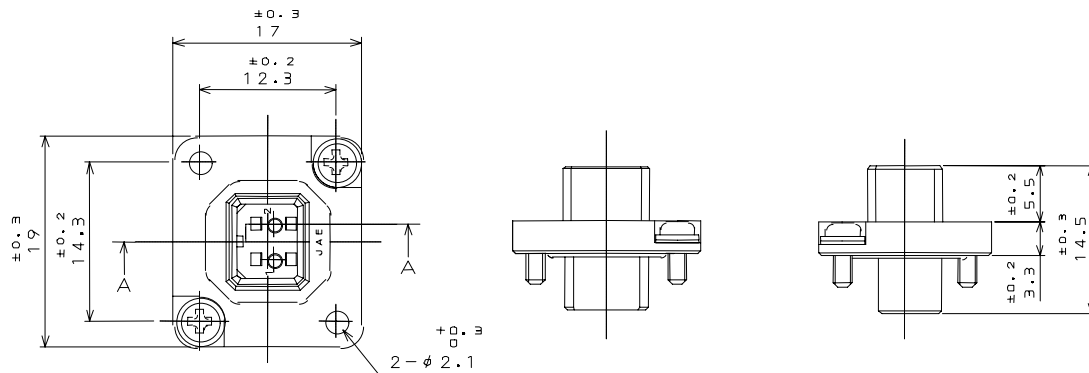
■4 contact type Plug for cabtire (JN4FT04SJ1-R)



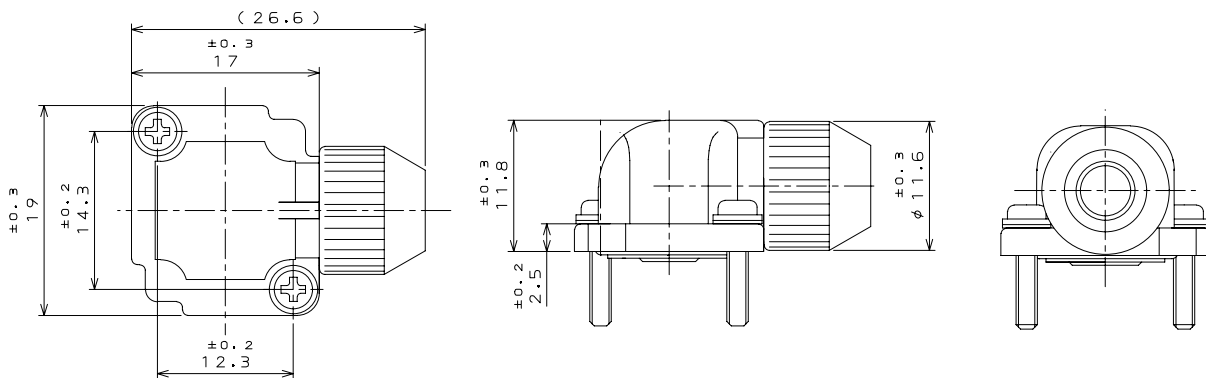
■4 contact type Plug for individual cable (JN4FT04SJ2-R)



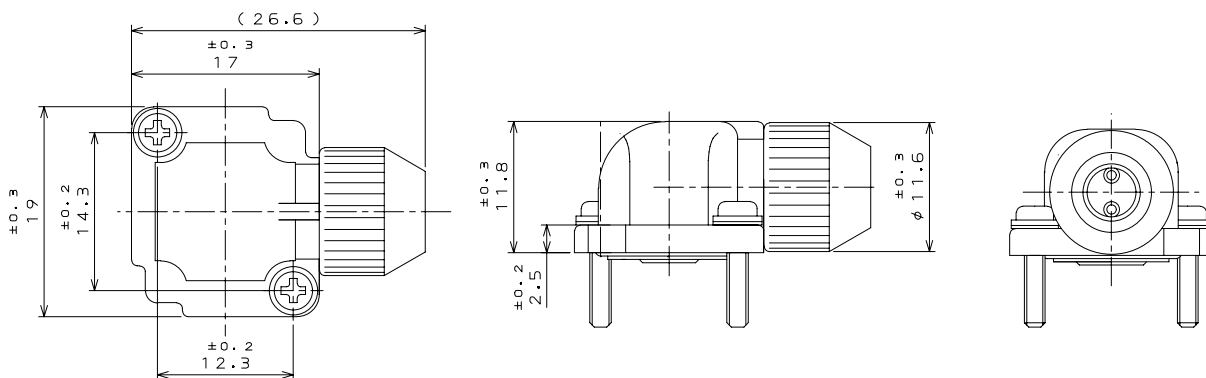
■ 2 contact type Receptacle (JN4AT02PJ1-R)



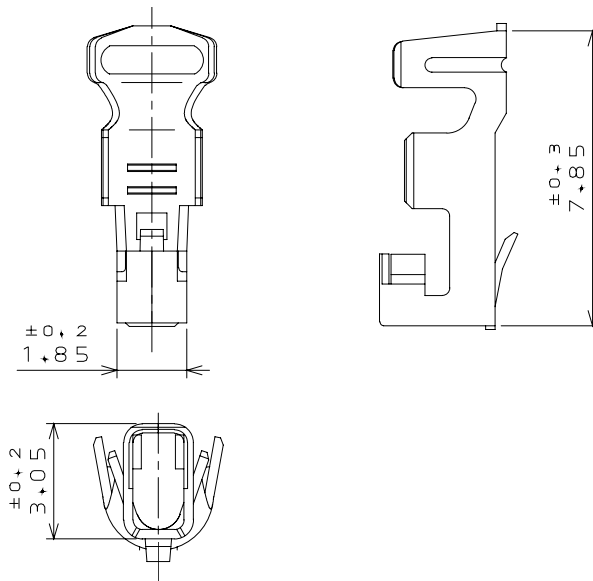
■ 2 contact type Plug for cabtire (JN4FT02SJ1-R)



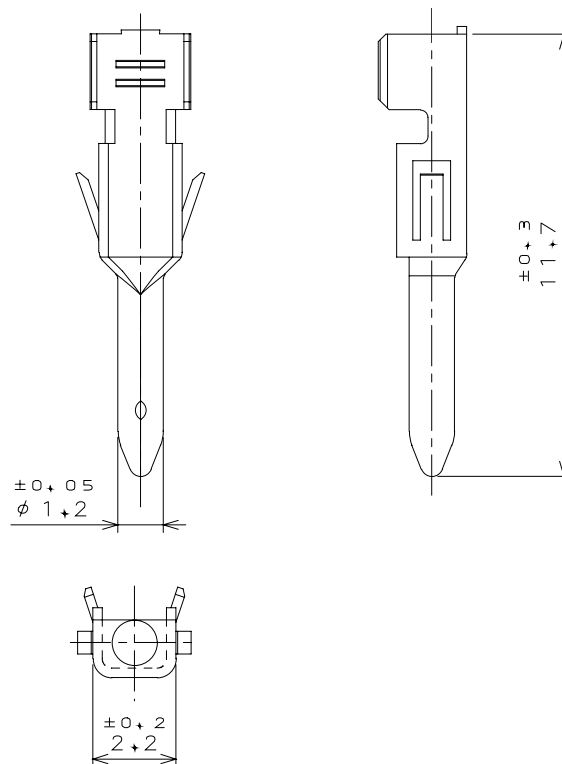
■ 2 contact type Plug for individual cable (JN4FT02SJ2-R)



■ Socket contact with coated barrel (ST-TMH-S-C1B-\*\*\*)



■ Pin contact without coated barrel (ST-JN4-P-C1-\*\*\*)



**Japan Aviation Electronics Industry, Limited**

Product Marketing Division  
 Aobadai Building, 3-1-19, Aobadai, Meguro-ku,  
 Tokyo 153-8539  
 Phone: +81-3-3780-2787 FAX: +81-3-3780-2946

**Notice:** Products shown in this leaflet are made for the applications listed below. However, if the above-mentioned products are to be used in aerospace devices, marine cable-connection devices, atomic power control systems, medical equipment for life-support systems, or any other specific application requiring extremely high reliability, please contact JAE for further information.  
 Recommended applications: Computers, Office machines, Measuring devices, Telecommunication devices (Terminals, Mobile devices), AV devices, Household applications, FA devices, etc.

\* The specifications in this brochure are subject to change without notice. Please contact JAE for information.  
 JAE PMK Div. Proprietary. Copyright © 2006, Japan Aviation Electronics Industry, Ltd.

## X-ON Electronics

Largest Supplier of Electrical and Electronic Components

*Click to view similar products for [Standard Circular Contacts](#) category:*

*Click to view products by [JAE](#) manufacturer:*

Other Similar products are found below :

[RC16M23J](#) [133780-1](#) [RM20M13D28](#) [RM24M9D28](#) [RMMX110-1D28](#) [MS3474W10-6P L/C](#) [ELVP16100E](#) [164-901-CD](#) [EN3545007SCE](#)  
[BV002BSQ20049CZ](#) [BV002SSQ160404CZ](#) [1900ND05S1B00B](#) [192900-0061](#) [192900-0575](#) [166566-1](#) [1900ND04S1X00D](#) [192900-0058](#) [ST-](#)  
[JL05-16S-C3-100](#) [ST-JL05-20S-C1-100](#) [ST-JL05-20S-C2-100](#) [T01-CRIMP-S03](#) [APK-SA16A07-002](#) [CONT-JL05-08S-C2-10](#) [CONT-JL05-](#)  
[12S-C1-10](#) [RC16M-23T](#) [RFD26L-1D28](#) [BV002ASJ16049CW](#) [JN1-22-20S-R-PKG100](#) [031-50565](#) [SJS861301M](#) [ST-JL05-16S-C1-100](#) [ST-](#)  
[JL05-20P-C1-100](#) [82911466K](#) [192991-0087](#) [192900-0570](#) [44-104-10003-02](#) [T3P16FC3LZ](#) [ST-JL05-16S-C2-3500](#) [ZP-4016-10NF](#) [CONT-](#)  
[JL05-12P-C1-10](#) [RM20M12G8D28](#) [031-50676](#) [12115010110](#) [RJFTVC2MG](#) [CAP-DACMDPC2](#) [031-50675-002](#) [CAP-DD1FDPC2](#) [CAP-](#)  
[DACMDPC1](#) [031-50966-010](#) [ASSP-10-F-A-C-SA](#)